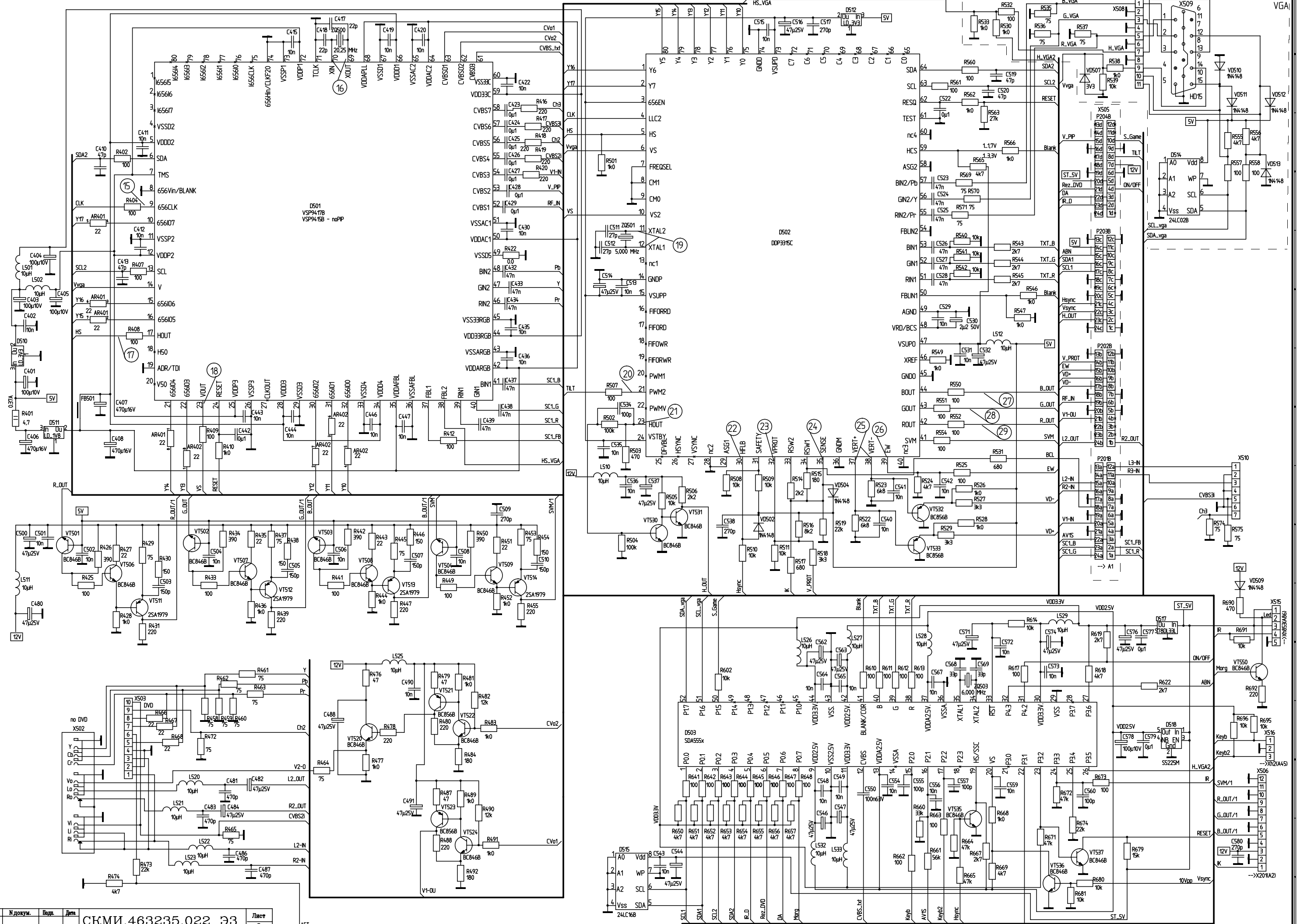
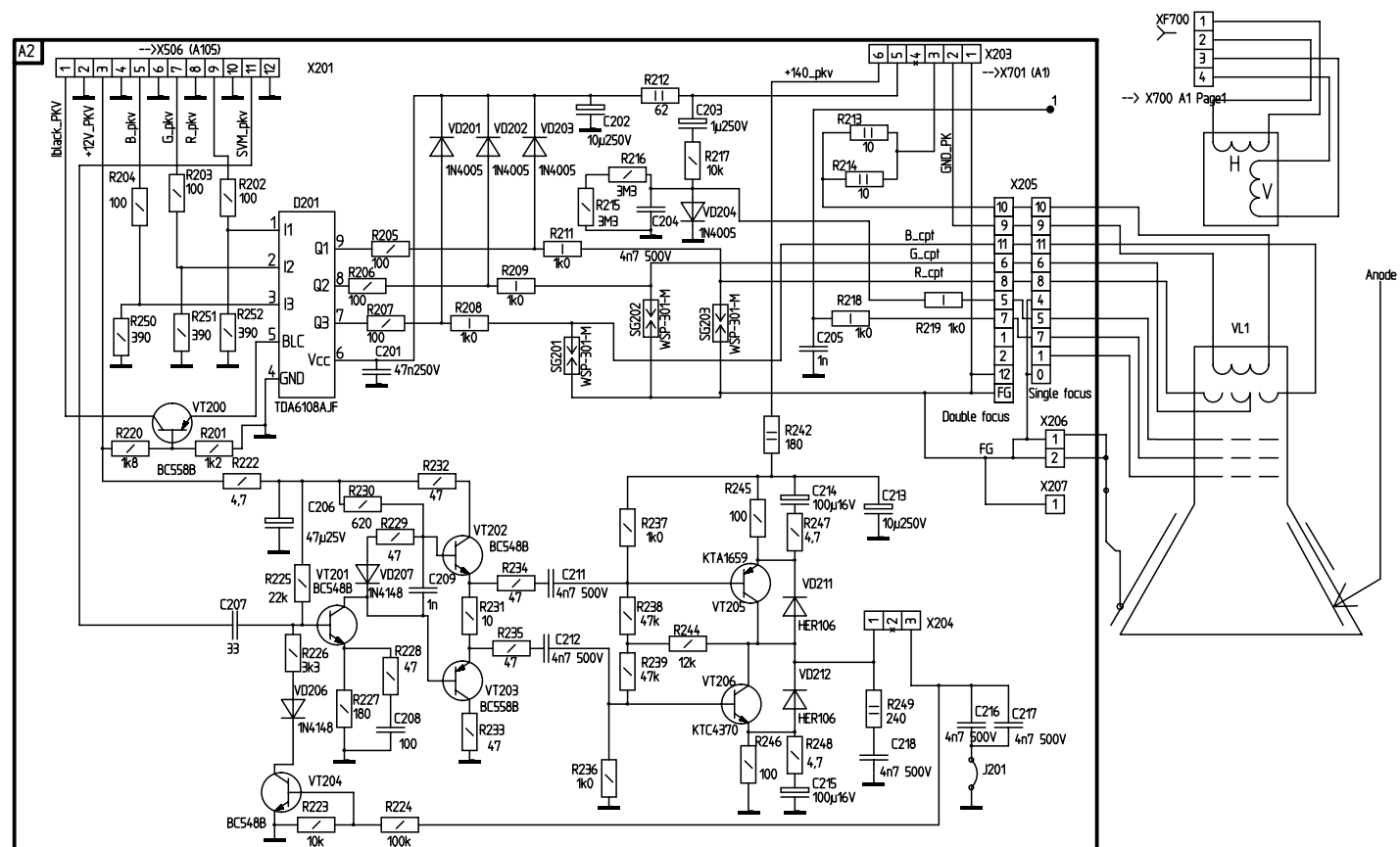
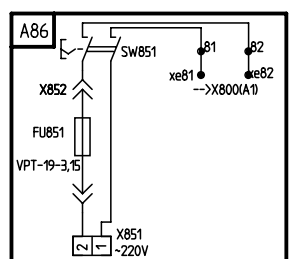
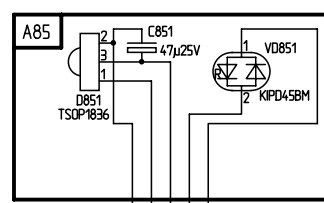
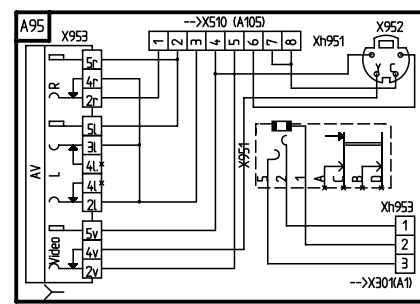
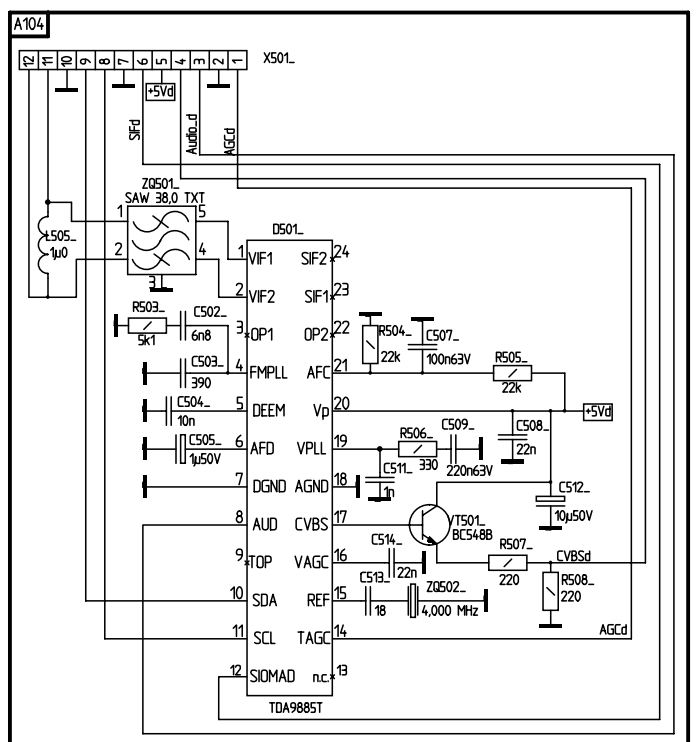
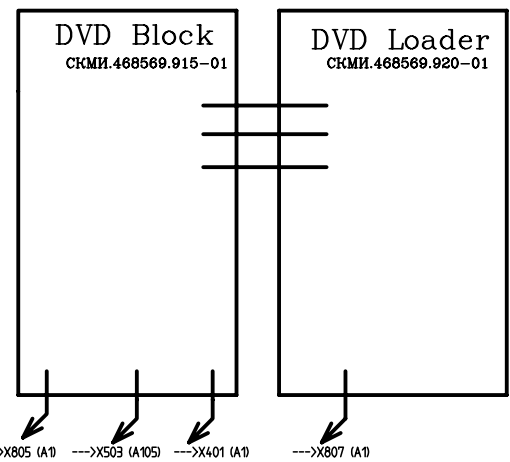
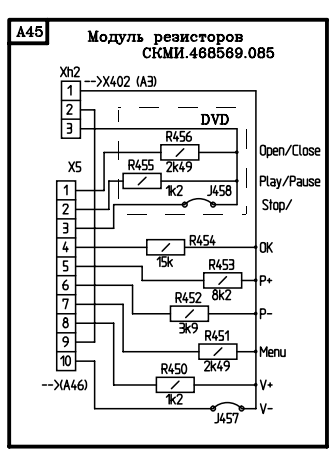
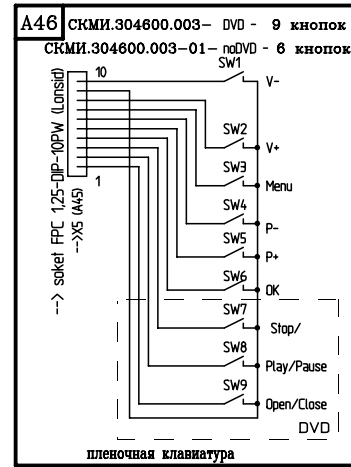
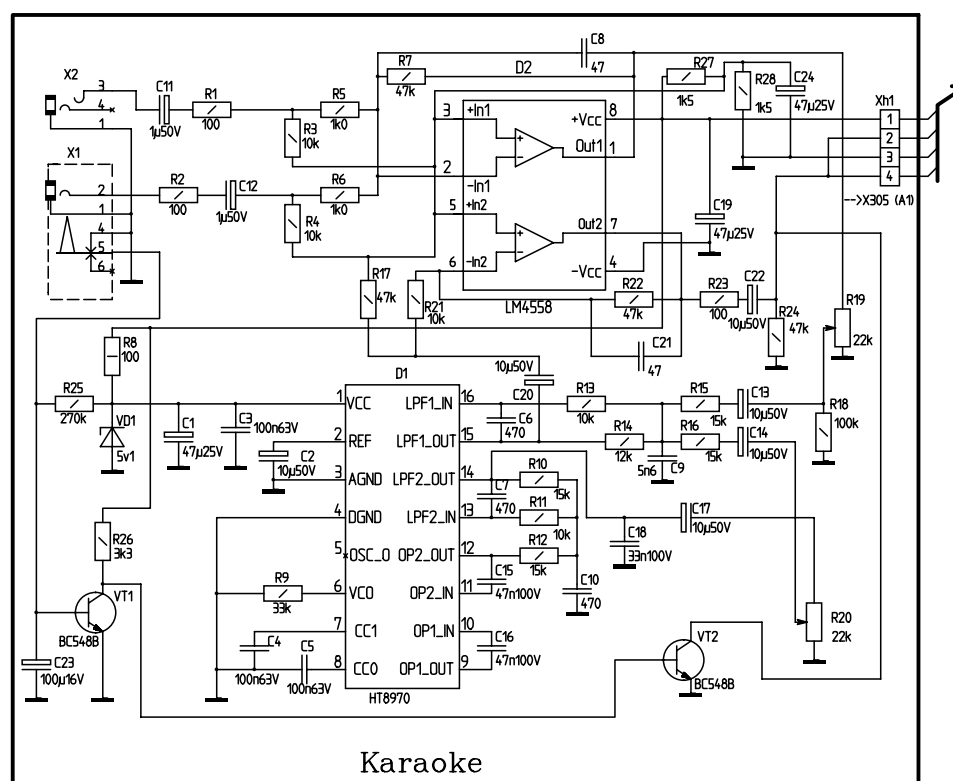
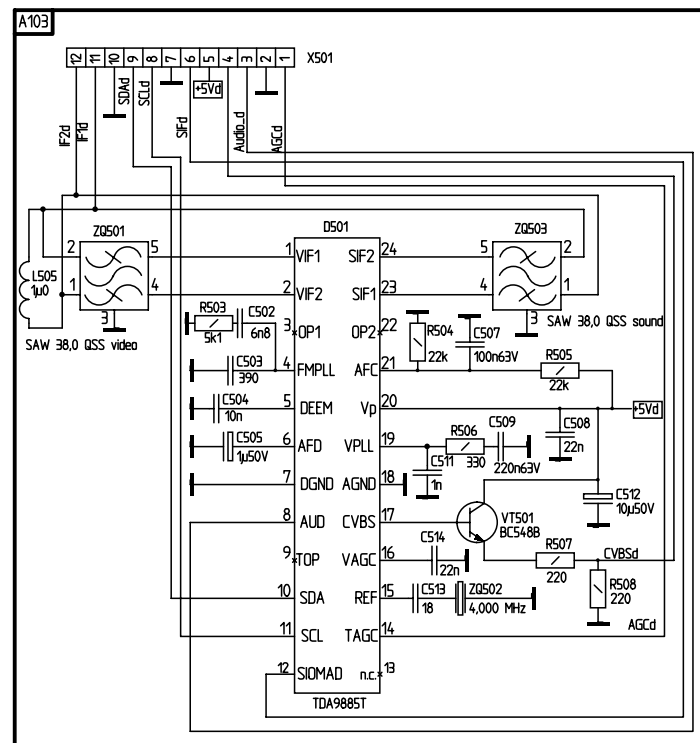
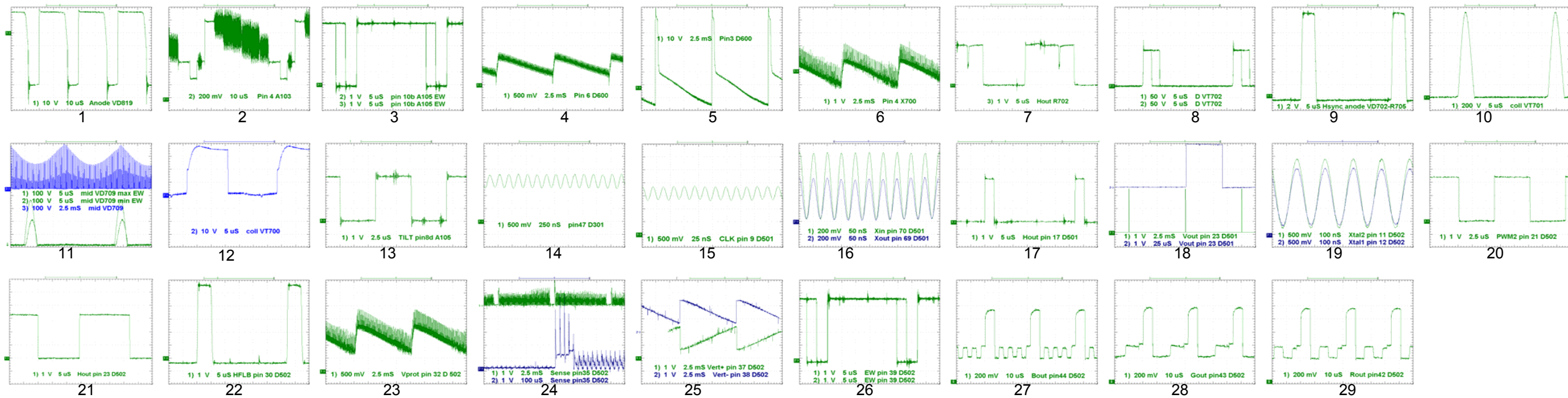


СКМИ.463235.022 Э3

Имя	Лист	№ докум.	Подп.	Дата	Приемники телевизионные на шасси S22 Схема электрическая принципиальная	Лист 1	Листов 4
Разраб.	Штанок						
Пров.	Гычницкий						
Н. контр.	Прокопенко						
Увт.	Федосеева						







Модели	C/D 32WSR100	C/D 32WSR100	C/D 29SR157	C/D 29SR157	C29R150 / 152
Кинескоп Позиция	32" Slim 2Focus LG-Philips W76ERS270xV8	32" Slim 2Focus Samsung W76QFV891x003	29" Slim 2Focus LG-Philips A68ERS370xV6	29" Slim 1Focus Samsung A68QFZ893x002	29"F 1Focus LG-Philips A68QCU770xVD
R614	CF-2WS-240 Ом ±5%	CF-2WS-240 Ом ±5%	CF-1WS-1,0 кОм ±5%	CF-1WS-1,0 кОм ±5%	CF-2WS-240 Ом ±5%
T704	DFT10K	DFT10K	DFT10K	x	x
VD713	HER106	HER107	HER106	x	x
R706	CF-1/2WS-47 кОм ±5%	CF-1/2WS-47 кОм ±5%	CF-1/2WS-47 кОм ±5%	x	x
C719	CapET 1μ 250V	CapET 1μ 250V	CapET 1μ 250V	x	x
R707	CF-1/2WS-2,0 Ом ±5%	CF-1/2WS-2,0 Ом ±5%	CF-1/2WS-2,0 Ом ±5%	x	x
C724	CapPP 47n 400VDC	CapPP 47n 400VDC	CapPP 47n 400VDC	x	x
C725	CapPET 15n 100V	CapPET 15n 100V	CapPET 15n 100V	x	x
C726	CapPET 15n 100V	CapPET 15n 100V	CapPET 15n 100V	x	x
L705	WVC-750K (750uH)	WVC-750K (750uH)	WVC 750-K (750uH)	x	x
T702	BSC29-5572E	BSC29-5572E	BSC29-5572E	BSC29-5579	BSC29-5579
C714	CapPP μ27 250VDC	CapPP μ39 250VDC	CapPP μ47 250VDC	CapPP μ43 250VDC	CapPP μ43 250VDC
C715		CapPP 27n 400VDC	CapPP μ12 250VDC	x	x
C716+ (parallel -> C716)	CapPP 10n 2kVDC	CapPP 10n 2kVDC	x	x	x
L701	LC100 8/40-K	LC100 8/40-K	LC100 5/40-K	LC100 5/40-K	LC100 5/40-K
L703	CC202/0.5-K	CC202/0.5-K	CC202/0.5-K	CC202/0.5-K	CC202/1.5-K
C706	CapPP 3n3 1,6kVDC	CapPP 3n3 1,6kVDC	CapPP 3n3 1,6kVDC	CapPP 3n3 1,6kVDC	CapPP 1n5 2kVDC
C704	CapPPF 33n 630VDC	CapPPF 33n 630VDC	CapPPF 33n 630VDC	CapPPF 27n 1000VDC	CapPPF 33n 630VDC

Изм	Лист	№ докум.	Подп	Дата
-----	------	----------	------	------

СКМИ.463235.022 ЭЗ