

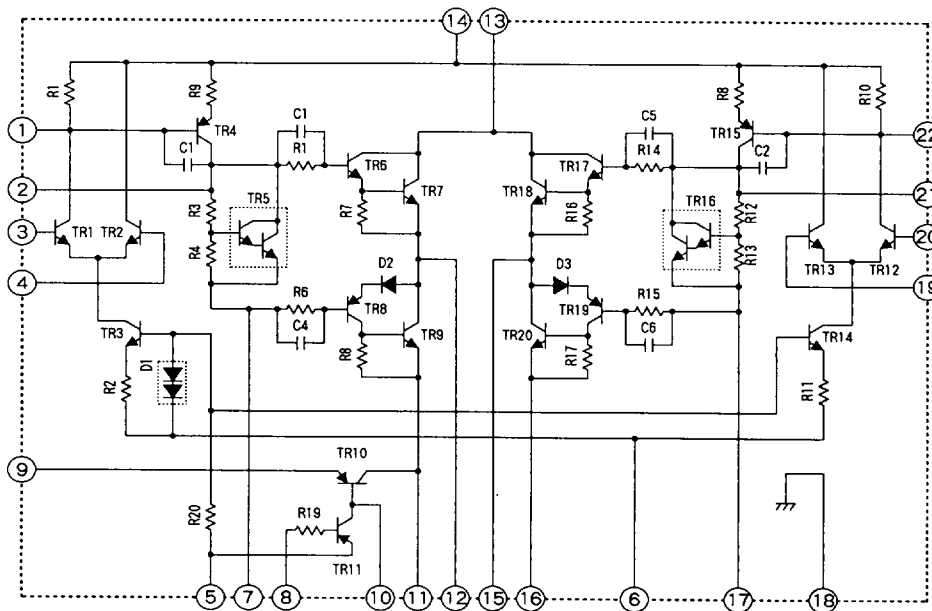
# STK4201 II Series

- ★2ch./1package, ± Power Supply
- ★Built-in Muting Circuit
- ★60W/ch. ~ 120W/ch.
- ★THD = 0.4%

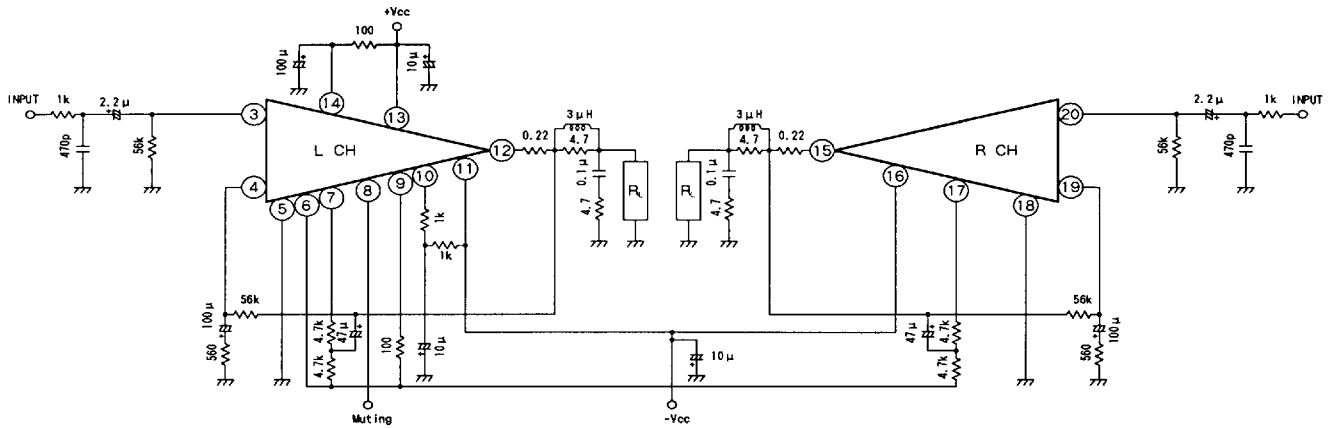
Model	Maximum Ratings 最大定格	Recommended Operating Conditions 推奨動作条件		Operating Characteristics (Recommend Operating Conditions at Test Circuit) 動作特性(Test Circuitにて 推奨動作条件による)			
	Vcc max [V]	Vcc [V]		Po max 1 R <sub>L</sub> =8Ω f=20~ 20kHz [W]	THD (V <sub>G</sub> =40dB) [%]	Po max 2 R <sub>L</sub> =4Ω f=1kHz [W]	THD (V <sub>G</sub> =40dB) [%]
		R <sub>L</sub> =8Ω	R <sub>L</sub> =4Ω				
*STK4201 II	±55.0	±38.0	-	60 + 60	0.4	-	-
*STK4211 II	±60.0	±42.0	-	70 + 70	0.4	-	-
*STK4221 II	±65.0	±45.0	-	80 + 80	0.4	-	-
*STK4231 II	±75.0	±51.0	-	100 + 100	0.4	-	-
*STK4241 II	±77.0	±53.0	-	120 + 120	0.4	-	-

\* Under mass production

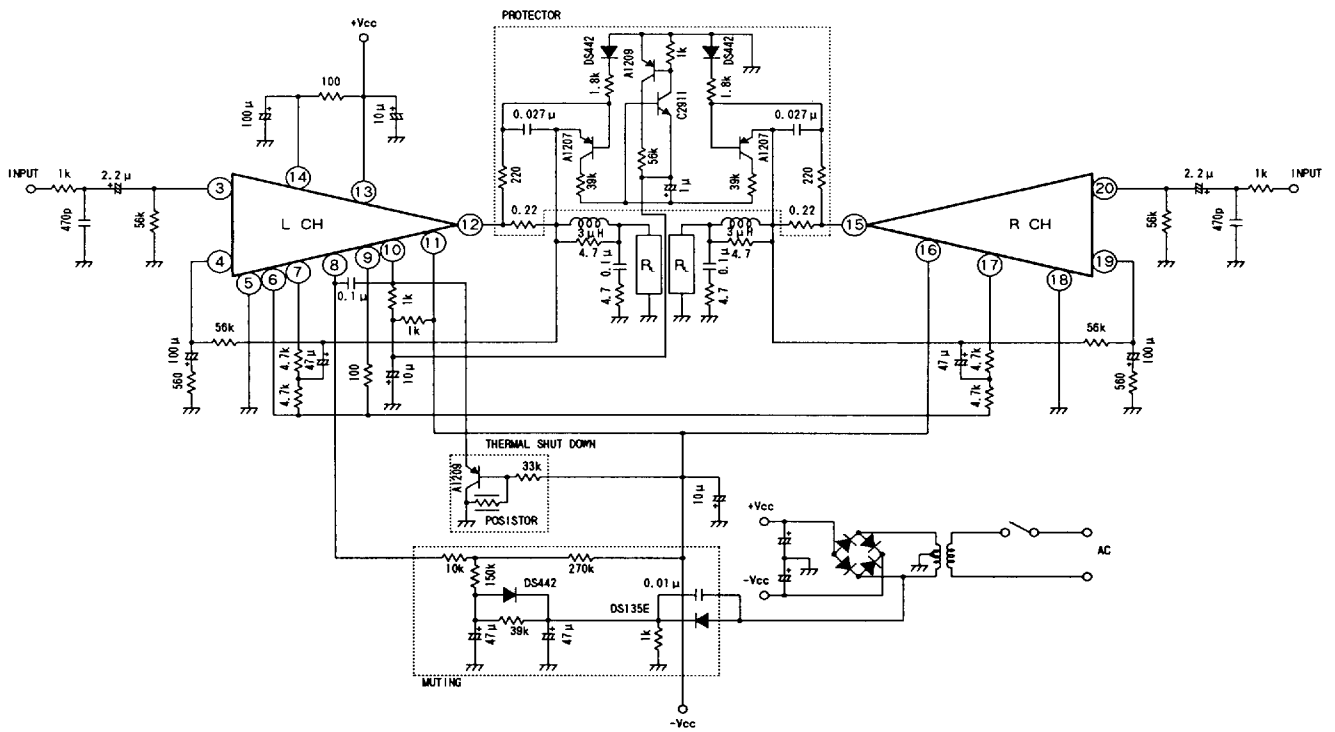
## Equivalent Circuit



Test Circuit



Application Circuit



Case Outline

