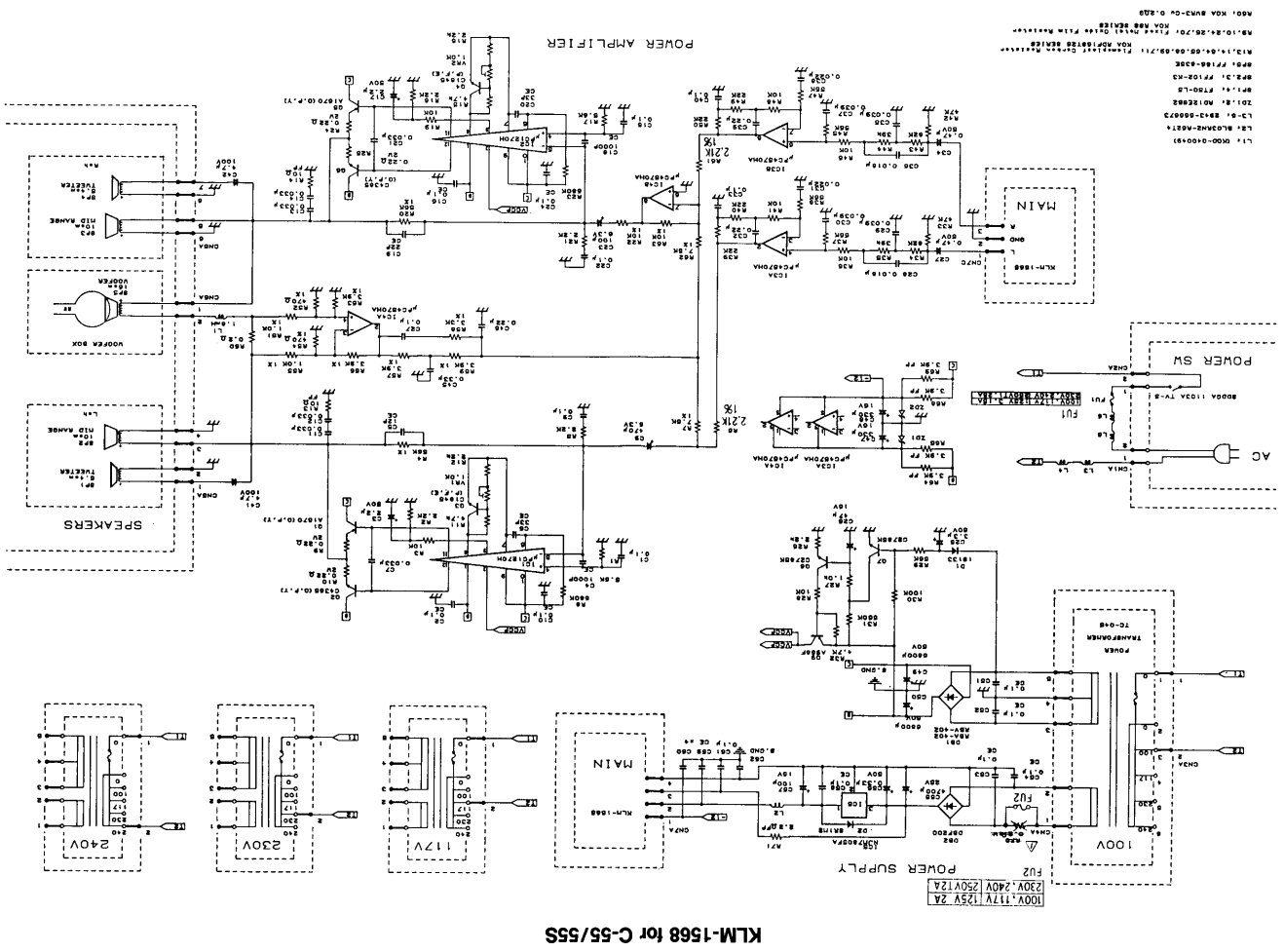
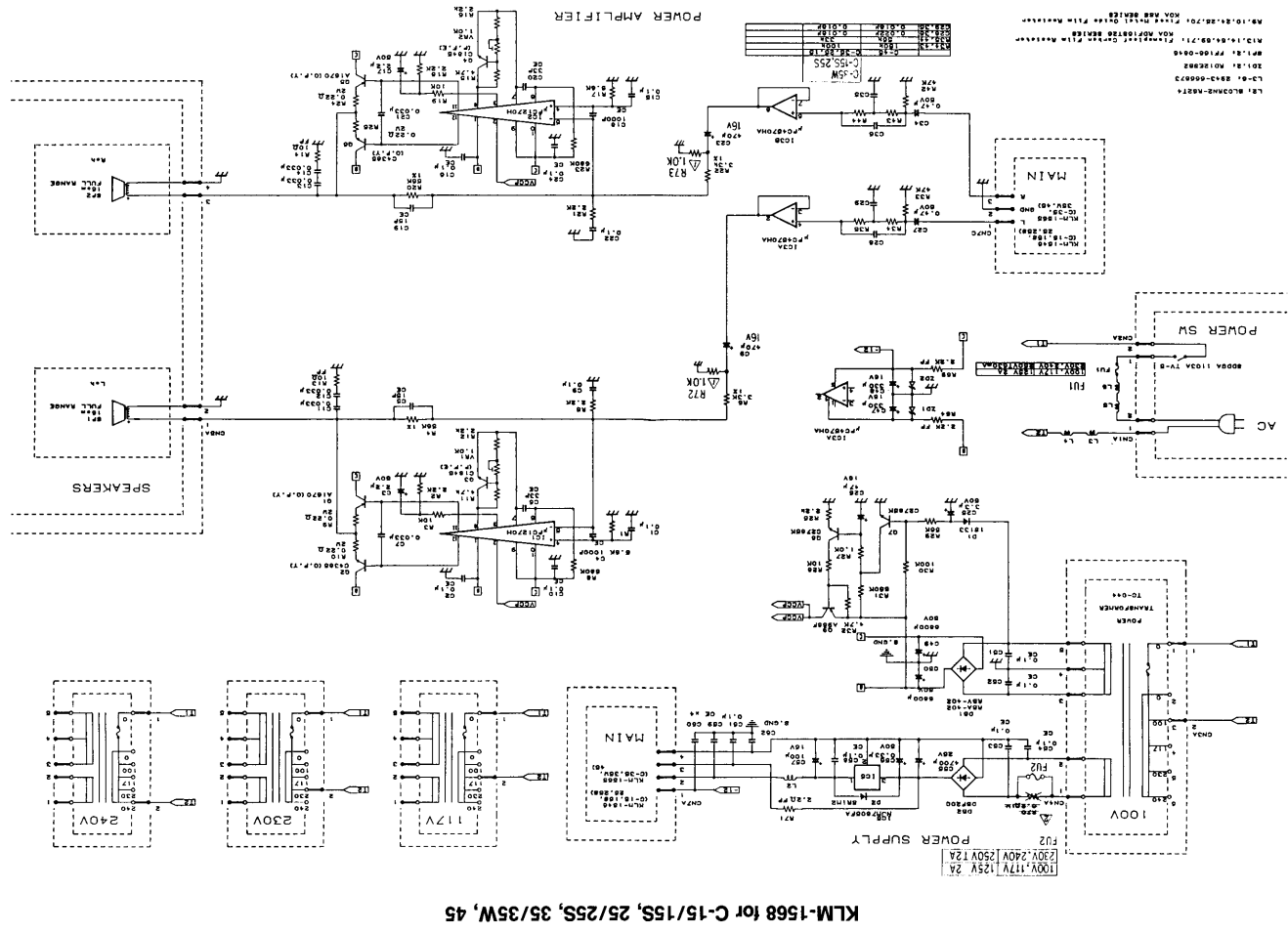


8. CIRCUIT DIAGRAM



KLM-1568 for C-55/55S



KLM-1568 for C-15/15S, 25/25S, 35/35W, 45

L1: 6X4-6000000
 L2: 6X5-6000000
 R1: 100K-50000
 R2: 100K-50000
 R3: 100K-50000
 R4: 100K-50000
 R5: 100K-50000
 R6: 100K-50000
 R7: 100K-50000
 R8: 100K-50000
 R9: 100K-50000
 R10: 100K-50000
 R11: 100K-50000
 R12: 100K-50000
 R13: 100K-50000
 R14: 100K-50000
 R15: 100K-50000
 R16: 100K-50000
 R17: 100K-50000
 R18: 100K-50000
 R19: 100K-50000
 R20: 100K-50000
 R21: 100K-50000
 R22: 100K-50000
 R23: 100K-50000
 R24: 100K-50000
 R25: 100K-50000
 R26: 100K-50000
 R27: 100K-50000
 R28: 100K-50000
 R29: 100K-50000
 R30: 100K-50000
 R31: 100K-50000
 R32: 100K-50000
 R33: 100K-50000
 R34: 100K-50000
 R35: 100K-50000
 R36: 100K-50000
 R37: 100K-50000
 R38: 100K-50000
 R39: 100K-50000
 R40: 100K-50000
 R41: 100K-50000
 R42: 100K-50000
 R43: 100K-50000
 R44: 100K-50000
 R45: 100K-50000
 R46: 100K-50000
 R47: 100K-50000
 R48: 100K-50000
 R49: 100K-50000
 R50: 100K-50000
 R51: 100K-50000
 R52: 100K-50000
 R53: 100K-50000
 R54: 100K-50000
 R55: 100K-50000
 R56: 100K-50000
 R57: 100K-50000
 R58: 100K-50000
 R59: 100K-50000
 R60: 100K-50000
 R61: 100K-50000
 R62: 100K-50000
 R63: 100K-50000
 R64: 100K-50000
 R65: 100K-50000
 R66: 100K-50000
 R67: 100K-50000
 R68: 100K-50000
 R69: 100K-50000
 R70: 100K-50000
 R71: 100K-50000
 R72: 100K-50000
 R73: 100K-50000
 R74: 100K-50000
 R75: 100K-50000
 R76: 100K-50000
 R77: 100K-50000
 R78: 100K-50000
 R79: 100K-50000
 R80: 100K-50000
 R81: 100K-50000
 R82: 100K-50000
 R83: 100K-50000
 R84: 100K-50000
 R85: 100K-50000
 R86: 100K-50000
 R87: 100K-50000
 R88: 100K-50000
 R89: 100K-50000
 R90: 100K-50000
 R91: 100K-50000
 R92: 100K-50000
 R93: 100K-50000
 R94: 100K-50000
 R95: 100K-50000
 R96: 100K-50000
 R97: 100K-50000
 R98: 100K-50000
 R99: 100K-50000
 R100: 100K-50000
 C1: 1000000-50V
 C2: 1000000-50V
 C3: 1000000-50V
 C4: 1000000-50V
 C5: 1000000-50V
 C6: 1000000-50V
 C7: 1000000-50V
 C8: 1000000-50V
 C9: 1000000-50V
 C10: 1000000-50V
 C11: 1000000-50V
 C12: 1000000-50V
 C13: 1000000-50V
 C14: 1000000-50V
 C15: 1000000-50V
 C16: 1000000-50V
 C17: 1000000-50V
 C18: 1000000-50V
 C19: 1000000-50V
 C20: 1000000-50V
 C21: 1000000-50V
 C22: 1000000-50V
 C23: 1000000-50V
 C24: 1000000-50V
 C25: 1000000-50V
 C26: 1000000-50V
 C27: 1000000-50V
 C28: 1000000-50V
 C29: 1000000-50V
 C30: 1000000-50V
 C31: 1000000-50V
 C32: 1000000-50V
 C33: 1000000-50V
 C34: 1000000-50V
 C35: 1000000-50V
 C36: 1000000-50V
 C37: 1000000-50V
 C38: 1000000-50V
 C39: 1000000-50V
 C40: 1000000-50V
 C41: 1000000-50V
 C42: 1000000-50V
 C43: 1000000-50V
 C44: 1000000-50V
 C45: 1000000-50V
 C46: 1000000-50V
 C47: 1000000-50V
 C48: 1000000-50V
 C49: 1000000-50V
 C50: 1000000-50V
 C51: 1000000-50V
 C52: 1000000-50V
 C53: 1000000-50V
 C54: 1000000-50V
 C55: 1000000-50V
 C56: 1000000-50V
 C57: 1000000-50V
 C58: 1000000-50V
 C59: 1000000-50V
 C60: 1000000-50V
 C61: 1000000-50V
 C62: 1000000-50V
 C63: 1000000-50V
 C64: 1000000-50V
 C65: 1000000-50V
 C66: 1000000-50V
 C67: 1000000-50V
 C68: 1000000-50V
 C69: 1000000-50V
 C70: 1000000-50V
 C71: 1000000-50V
 C72: 1000000-50V
 C73: 1000000-50V
 C74: 1000000-50V
 C75: 1000000-50V
 C76: 1000000-50V
 C77: 1000000-50V
 C78: 1000000-50V
 C79: 1000000-50V
 C80: 1000000-50V
 C81: 1000000-50V
 C82: 1000000-50V
 C83: 1000000-50V
 C84: 1000000-50V
 C85: 1000000-50V
 C86: 1000000-50V
 C87: 1000000-50V
 C88: 1000000-50V
 C89: 1000000-50V
 C90: 1000000-50V
 C91: 1000000-50V
 C92: 1000000-50V
 C93: 1000000-50V
 C94: 1000000-50V
 C95: 1000000-50V
 C96: 1000000-50V
 C97: 1000000-50V
 C98: 1000000-50V
 C99: 1000000-50V
 C100: 1000000-50V