

DGP-641 LCD Keypad V1.3



Programming Guide

PROGRAMMING METHOD

- STEP 1: Press and hold the **[0]** key
 STEP 2: Enter the **[INSTALLER CODE]**
 STEP 3: Enter section **[953]**
 STEP 4: Enter the keypad's 8-digit **[SERIAL NUMBER]**
 STEP 5: Enter the 3-digit **[SECTION]** you want to program
 STEP 6: Enter the required data

To view the keypad's serial number, press and hold the **[0]** key, then enter the **[INSTALLER CODE]** and enter **[000]**. We recommend that you use this sheet to keep track of which sections were programmed and how. This module can also be programmed using the control panel's Broadcast Programming Feature (see *Digiplex Installation & Reference Manual*).

PROGRAMMING SECTIONS

In the following tables and sections, any value represented in **bold** is the default setting.

SECTION [001]: Partitioning

Option	OFF	ON
[1] Partition 1	<input type="checkbox"/> Disabled	<input type="checkbox"/> Enabled
[2] Partition 2	<input type="checkbox"/> Disabled	<input type="checkbox"/> Enabled
[3] Partition 3	<input type="checkbox"/> Disabled	<input type="checkbox"/> Enabled
[4] Partition 4	<input type="checkbox"/> Disabled	<input type="checkbox"/> Enabled
[5] Not used	<input type="checkbox"/> N/A	<input type="checkbox"/> N/A
[6] Not used	<input type="checkbox"/> N/A	<input type="checkbox"/> N/A
[7] Not used	<input type="checkbox"/> N/A	<input type="checkbox"/> N/A
[8] Not used	<input type="checkbox"/> N/A	<input type="checkbox"/> N/A

SECTION [002]: General Options

Option	OFF	ON
[1] Display Code Entry	<input type="checkbox"/> Disabled	<input type="checkbox"/> Enabled
[2] Display Exit Delay	<input type="checkbox"/> Disabled	<input type="checkbox"/> Enabled
[3] Display Entry Delay	<input type="checkbox"/> Disabled	<input type="checkbox"/> N/A
[4] Confidential Mode	<input type="checkbox"/> Disabled	<input type="checkbox"/> Enabled
[5] To Exit Confidential Mode	<input type="checkbox"/> Enter Code	<input type="checkbox"/> Press Button
[6] Not used	<input type="checkbox"/> N/A	<input type="checkbox"/> N/A
[7] Not used	<input type="checkbox"/> N/A	<input type="checkbox"/> N/A
[8] Not used	<input type="checkbox"/> N/A	<input type="checkbox"/> N/A

SECTION [003]: General Options

Option	OFF	ON
[1] Muting	<input type="checkbox"/> Disabled	<input type="checkbox"/> Enabled
[2] Exit Delay Beep	<input type="checkbox"/> Disabled	<input type="checkbox"/> Enabled
[3] Not used	<input type="checkbox"/> N/A	<input type="checkbox"/> N/A
[4] Chimed Zone Closure	<input type="checkbox"/> Disabled	<input type="checkbox"/> Enabled
[5] Not used	<input type="checkbox"/> N/A	<input type="checkbox"/> N/A
[6] Not used	<input type="checkbox"/> N/A	<input type="checkbox"/> N/A
[7] Not used	<input type="checkbox"/> N/A	<input type="checkbox"/> N/A
[8] Not used	<input type="checkbox"/> N/A	<input type="checkbox"/> N/A

SECTION [004]: Beep on Trouble

Option	OFF	ON
[1] System & Clock Trouble Beep	<input type="checkbox"/> Disabled	<input type="checkbox"/> Enabled
[2] Communicator Trouble Beep	<input type="checkbox"/> Disabled	<input type="checkbox"/> Enabled
[3] Module & Bus Trouble Beep	<input type="checkbox"/> Disabled	<input type="checkbox"/> Enabled
[4] All Zone Trouble Beeps	<input type="checkbox"/> Disabled	<input type="checkbox"/> Enabled
[5] Not used	<input type="checkbox"/> N/A	<input type="checkbox"/> N/A
[6] Not used	<input type="checkbox"/> N/A	<input type="checkbox"/> N/A
[7] Not used	<input type="checkbox"/> N/A	<input type="checkbox"/> N/A
[8] Not used	<input type="checkbox"/> N/A	<input type="checkbox"/> N/A

SECTION [005]: PGM Options

Option	OFF	ON
[1] PGM State is Normally	<input type="checkbox"/> Open	<input type="checkbox"/> Closed
[2] PGM Timed Mode	<input type="checkbox"/> Disabled	<input type="checkbox"/> Enabled
[3] PGM Base Time	<input type="checkbox"/> 1 Second	<input type="checkbox"/> 1 Minute
[4] PGM Override	<input type="checkbox"/> Disabled	<input type="checkbox"/> Enabled
[5] Keypad Tamper	<input type="checkbox"/> Disabled	<input type="checkbox"/> Enabled
[6] Not used	<input type="checkbox"/> N/A	<input type="checkbox"/> N/A
[7] Not used	<input type="checkbox"/> N/A	<input type="checkbox"/> N/A
[8] Not used	<input type="checkbox"/> N/A	<input type="checkbox"/> N/A

SECTION [006]

Confidential Mode Timer (005-255 seconds)
 ___/___/___ (default = 120)

SECTION [007]

PGM Timer (000-255 see option [3] in section [005])
 ___/___/___ (default = 005)

SECTION [008]

PGM Activation Event: *PGM Table in Digiplex Programming Guide*
 ___/___ [1 2 3 4 5 6 7 8] (default = 0 / 0 all off)

SECTION [009]

PGM Deactivation Event: *PGM Table in Digiplex Programming Guide*
 ___/___ [1 2 3 4 5 6 7 8] (default = 0 / 0 all off)

MESSAGE PROGRAMMING

Each section from **[101]** to **[249]** contains one message with a maximum of 16 characters. For more details and to record any changes, use the *DGP-641 LCD Programming Guide*.

Section **[101]** to **[148]** = Zone 01 to Zone 48 respectively

Section **[149]** to **[244]** = Code 01 to Code 96 respectively

Section **[245]** = Paradox Family

Section **[246]** to **[249]** = First, Second, Third, & Fourth Area

After entering the section corresponding to the desired message, the message can be re-programmed to suit your installation needs as detailed in Table 1. For example, section [101] "ZONE 01" can be changed to "FRONT DOOR".

Table 1: Message Programming

Key	Function	Details
[STAY]	Insert Space	Pressing the [STAY] key inserts a blank space in the current cursor position.
[FORCE]	Delete	Pressing the [FORCE] key will delete the character or blank space found at the current cursor position.
[ARM]	Delete Until the End	Pressing the [ARM] key will delete all characters and spaces to the right of the cursor and at the cursor's position.
[DISARM]	Numeric/Alphanumeric	Every time the [DISARM] key is pressed it will toggle numeric keys to alphanumeric keys and vice versa. Numeric: Keys [0] to [9] represent numbers 0 to 9. Alphanumeric: refer to Table 2.
[BYP]	Lower/Upper Case	Every time the [BYP] key is pressed it will toggle the case setting from lower to upper case and vice versa.
[MEM]	Special Characters	After pressing the [MEM] key, the cursor will turn into a flashing black square. Using Table 3, enter the 3-digit number that represents the desired special character.

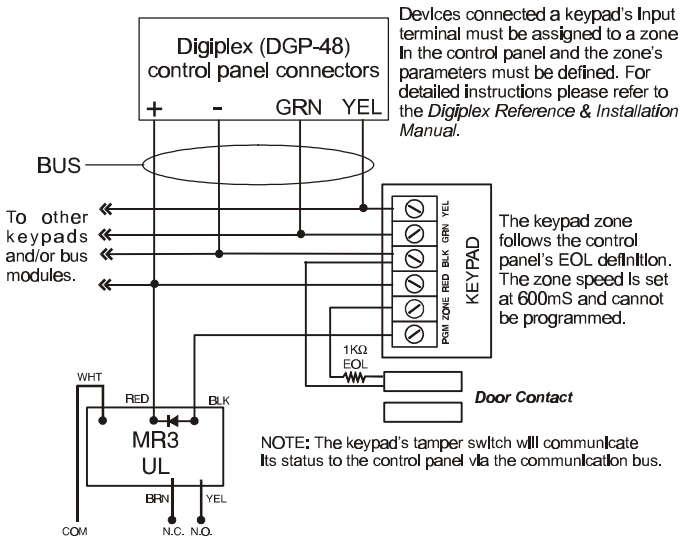
Table 2: Alphanumeric Keys

Key	Press Key Once	Press Key Twice	Press Key Three Times
[1]	A	B	C
[2]	D	E	F
[3]	G	H	I
[4]	J	K	L
[5]	M	N	O
[6]	P	Q	R
[7]	S	T	U
[8]	V	W	X
[9]	Y	Z	

Table 3: Special Characters

032	048	064	080	096	112	128	144	160	176	192	208
0	ð	P	`	p	Ù	Ê	á	§	Ø	·	
033	049	065	081	097	113	129	145	161	177	193	209
!	1	A	Q	a	q	Û	È	î	±	Ł	”
034	050	066	082	098	114	130	146	162	178	194	210
"	2	B	R	r	Ü	É	í	íj	Ð	Ð	°
035	051	067	083	099	115	131	147	163	179	195	211
#	3	C	S	c	s	Ü	Ë	í	↑	ß	`
036	052	068	084	100	116	132	148	164	180	196	212
\$	4	D	T	d	t	û	ê	ï	↓	ç	´
037	053	069	085	101	117	133	149	165	181	197	213
%	5	E	U	e	u	ü	è	ì	↵	®	~
038	054	070	086	102	118	134	150	166	182	198	214
&	6	F	V	f	v	ú	é	ñ	f	□	÷
039	055	071	087	103	119	135	151	167	183	199	215
'	7	G	W	g	w	õ	ë	ñ	£	□	«
040	056	072	088	104	120	136	152	168	184	200	216
(8	H	X	h	x	ö	ä	ñ	→	µ	»
041	057	073	089	105	121	137	153	169	↓	∅	†
)	9	I	Y	i	y	ó	ä	ú	↓	∅	†
042	058	074	090	106	122	138	154	170	↑	ÿ	\
*	:	J	Z	j	z	õ	å	g	↑	ÿ	\
043	059	075	091	107	123	139	155	171	187	203	219
+	;	K	[k	{	ö	å	v	↓	Å	x
044	<	L	¥	l		ø	à	√	↑	¢	®
,	<	L	¥	l		ø	à	√	↑	¢	®
045	061	077	093	109	125	141	157	173	189	205	221
-	=	M]	m	}	ó	á	w	½	ã	©
046	062	078	094	110	126	142	158	174	190	206	222
.	>	N	^	n	→	ö	ä	Ω	¼	Ö	™
/	?	O	_	o	←	¿	Ä	Æ	¼	ö	≡
047	063	079	095	111	127	143	159	175	191	207	223

Figure 1: DGP-641 LCD Keypad Installation Drawing



PARADOX
SECURITY SYSTEMS

Fax: (450) 491-2313 <http://www.paradox.ca>

780 Industrial Blvd., St-Eustache, Montreal,
Quebec, Canada J7R 5V3

PRINTED IN CANADA - 10/99 K641EP-00

