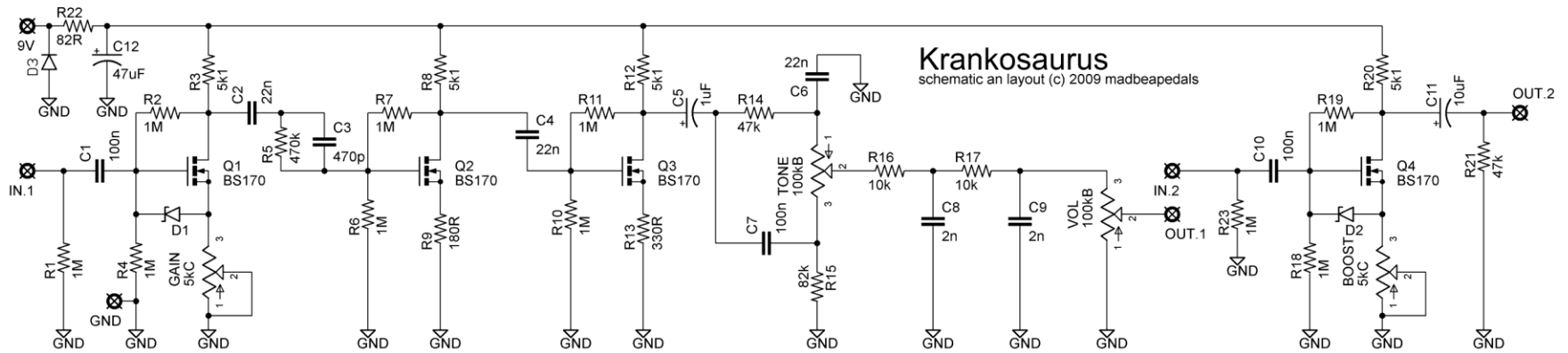
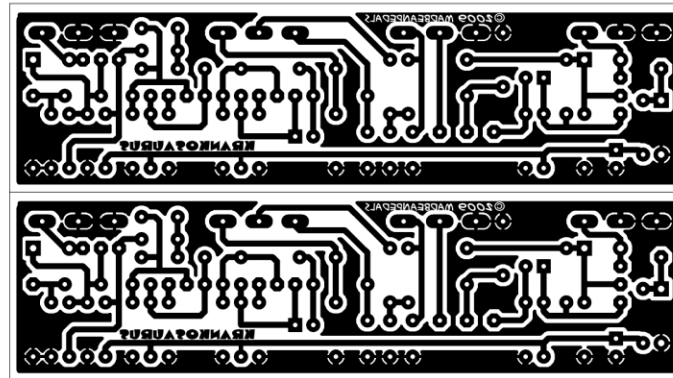


KRANKOSAURUS

SCHEMATIC AND PCB



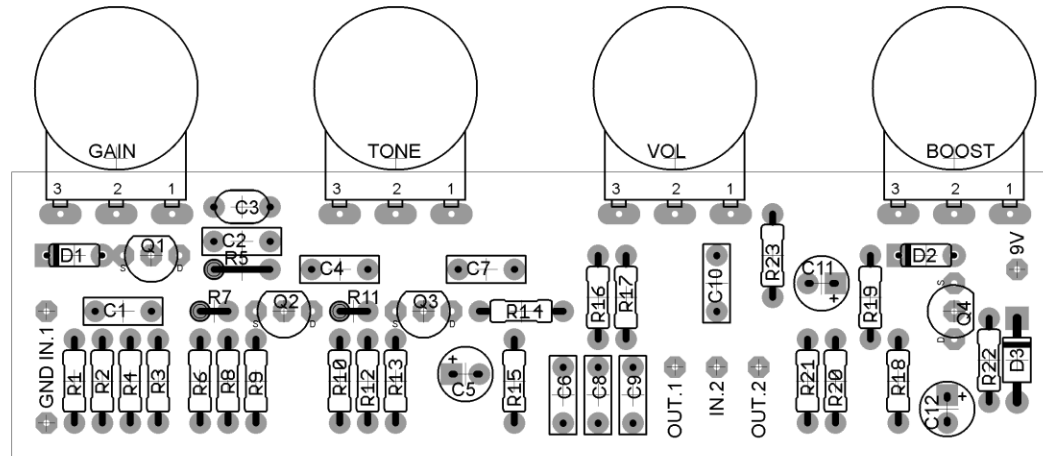
300 DPI



©2009 MADBEANPEDALS
FOR NON-COMMERCIAL USE

KRANKOSAURUS

COMPONENT LAYOUT



GAIN	5K	R1	1M
TONE	100KB	R2	1M
VOL	100KB	R3	5K1
BOOST	5K	R4	1M
		R5	470K
Q1	BS170	R6	1M
Q2	BS170	R7	1M
Q3	BS170	R8	5K1
Q4	BS170	R9	180R
		R10	1M
D1	9.1V ZENER	R11	1M
D2	9.1V ZENER	R12	5K1
D3	1N400.X	R13	330R
		R14	47K
C1	100N	R15	82K
C2	22N	R16	10K
C3	470P	R17	10K
C4	22N	R18	1M
C5	1uF	R19	1M
C6	22N	R20	5K1
C7	100N	R21	47K
C8	2N	R22	82R
C9	2N	R23	1M
C10	100N		
C11	10uF		
C12	47uF		