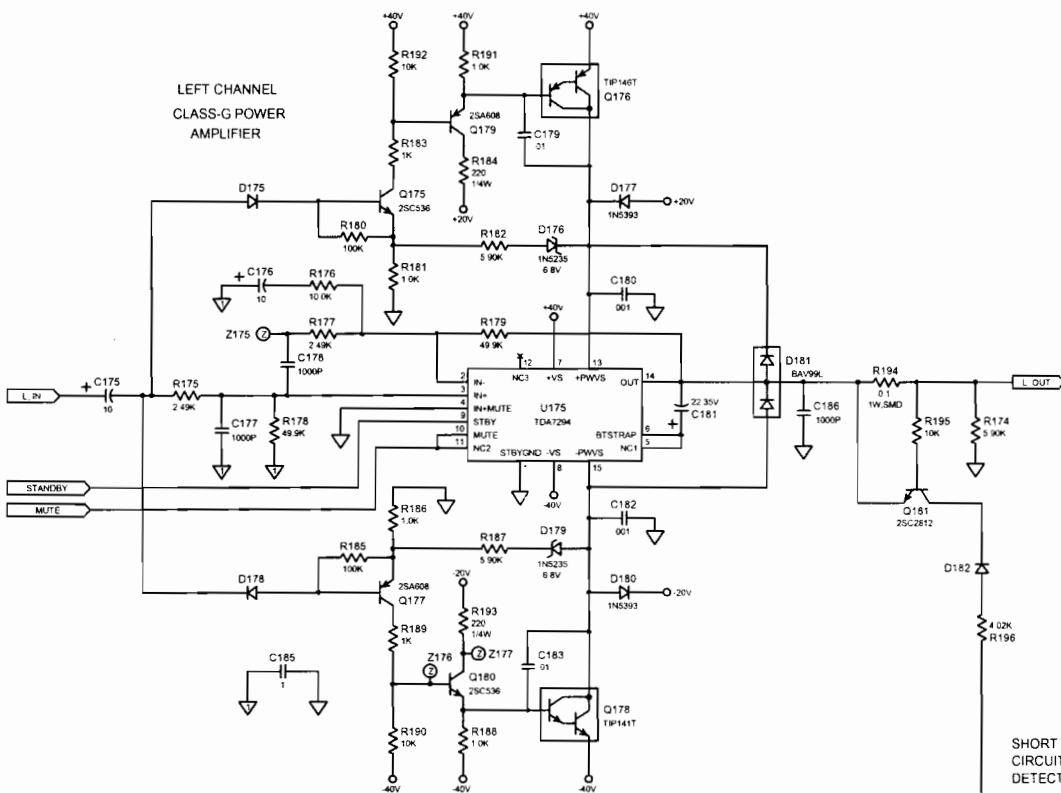
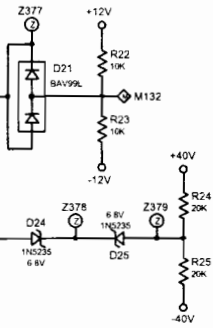


LEFT CHANNEL CLASS-G POWER AMPLIFIER

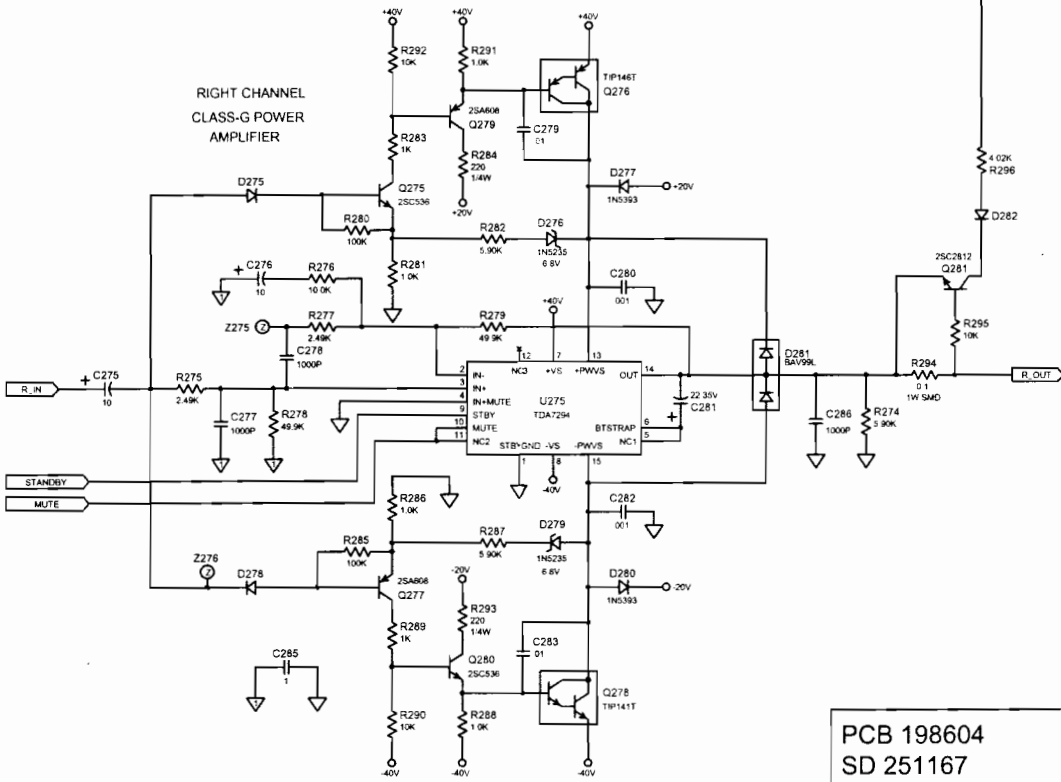


J3 B OUT
J3

POWER SUPPLY
FAULT DETECT



RIGHT CHANNEL CLASS-G POWER AMPLIFIER



PCB 198604
SD 251167
Sheet 2 of 2
AM-5PIV service manual 254125