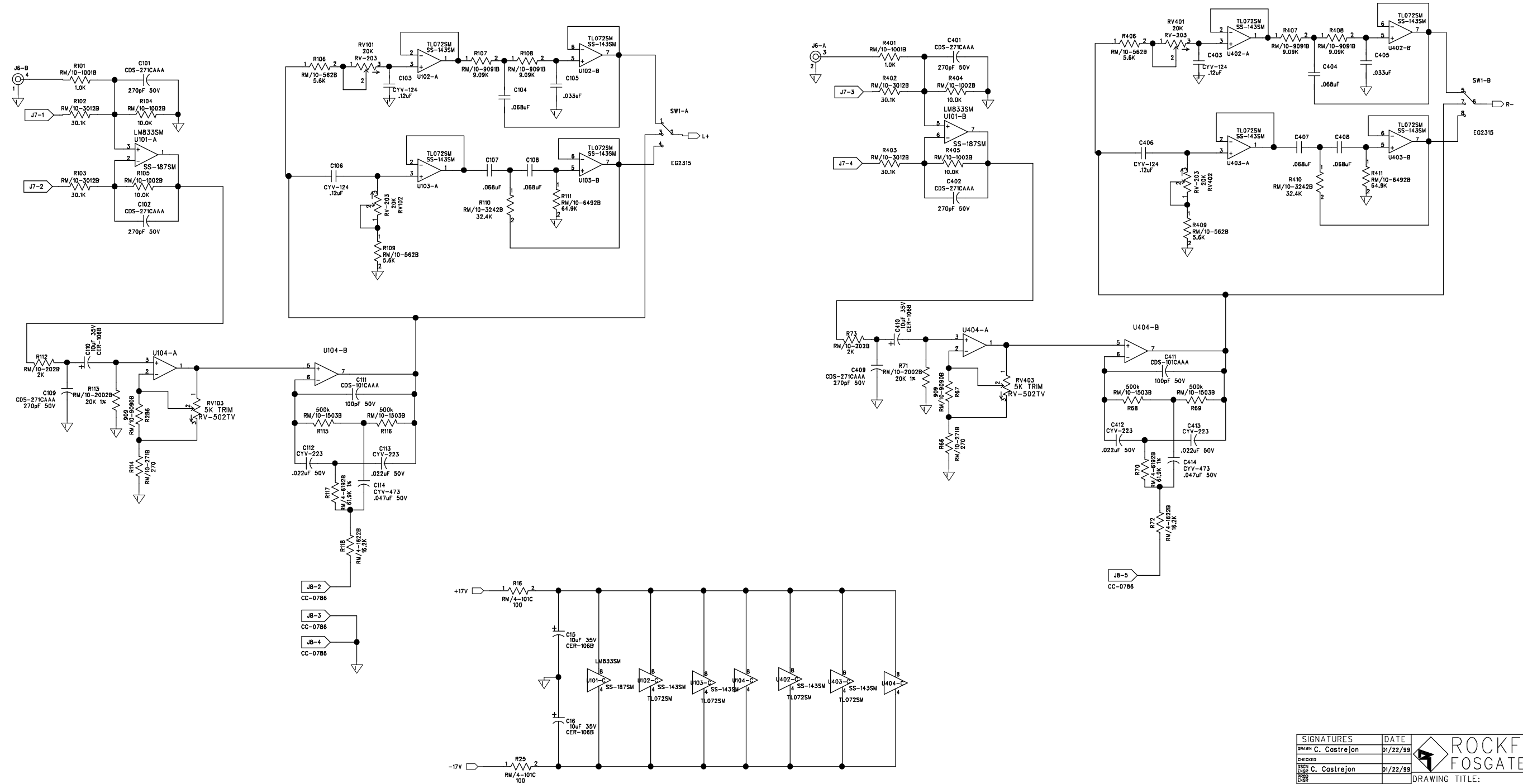


Z	SYM	DA	REVISION RECORD	AUTHORITY	DRAW	CHECK
			RELEASED			

DWN	C. Castrejon	01/22/99	ROCKFORD FOSGATE CORPORATION DIVISION TEMPE AZ	
CHK				
ENGR	C. Castrejon	01/22/99	TITLE	
APVD			G800a2 POWER SUPPLY	
APVD			SIZE D	SHEET 1 OF 3
MATL/FS	FILE NAME	PART NO.	REV	
	PC-2038-D SCH		D	

REV FILE NAME PART NO.

DRAWING REVISION RECORD					
ZONE	REV	PAGE	DESCRIPTION	DATE	APPROVED

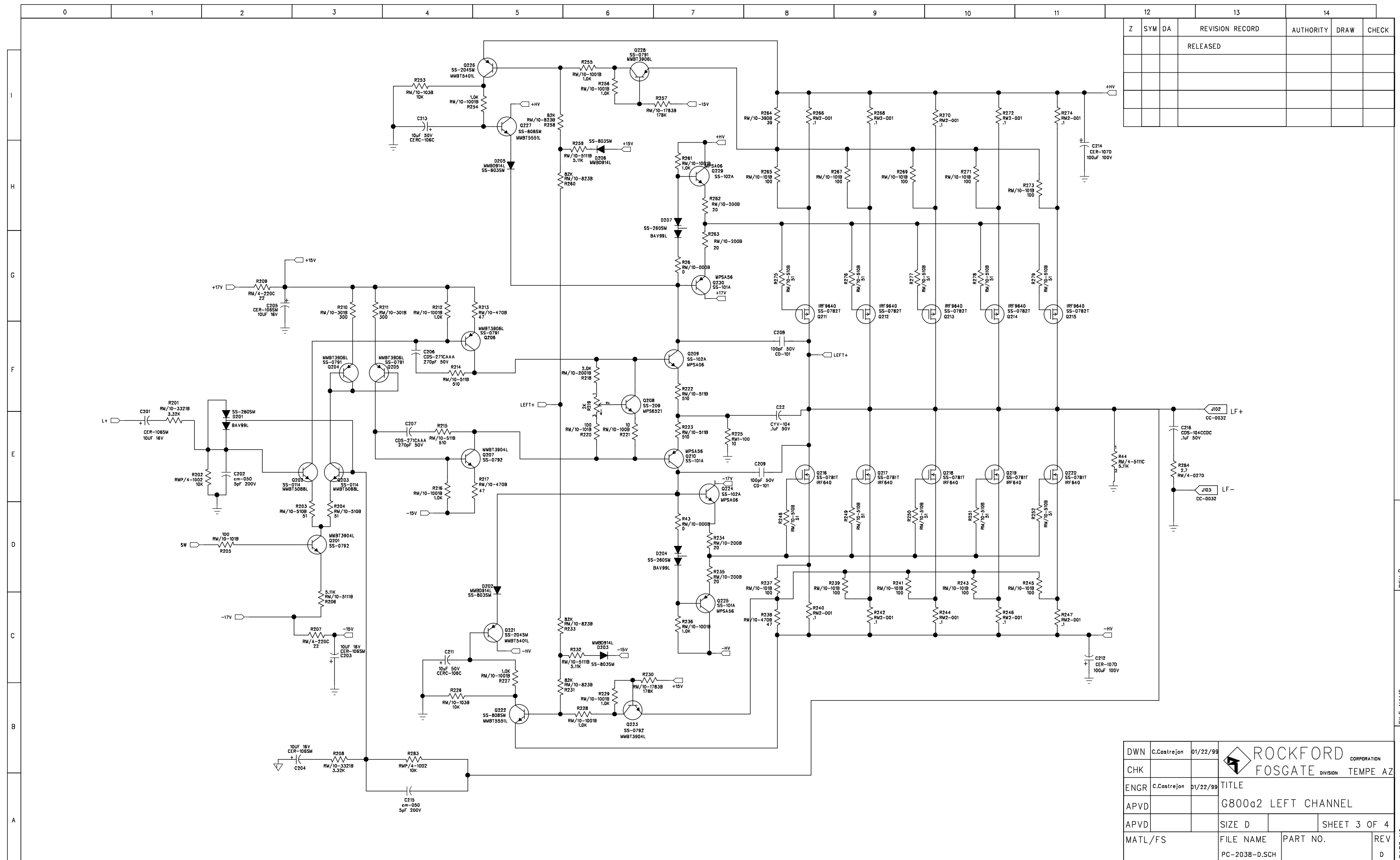


SIGNATURES		DATE
DRAWN	C. Castrejon	01/22/99
CHECKED		
DESIGN	C. Castrejon	01/22/99
PROJ		
Q.C.		
REVISION		D

DRAWING TITLE:		
G800a2 INPUT AND CROSSOVERS		
SIZE	FILE NAME:	DWG/PART NO:
B	PC-203B-D.SCH	
SCALE:	DO NOT SCALE DRAWING	SHEET 2 OF 4

CONFIDENTIAL  
 COPYRIGHT 1993 ROCKFORD CORP.  
 THE DESIGN IS THE PROPERTY OF ROCKFORD CORPORATION. ALL RIGHTS RESERVED. NO PART OF THIS DESIGN IS TO BE REPRODUCED OR TRANSMITTED IN ANY FORM OR BY ANY MEANS, ELECTRONIC OR MECHANICAL, INCLUDING PHOTOCOPYING, RECORDING, OR BY ANY INFORMATION STORAGE AND RETRIEVAL SYSTEM, WITHOUT THE WRITTEN PERMISSION OF ROCKFORD CORPORATION.



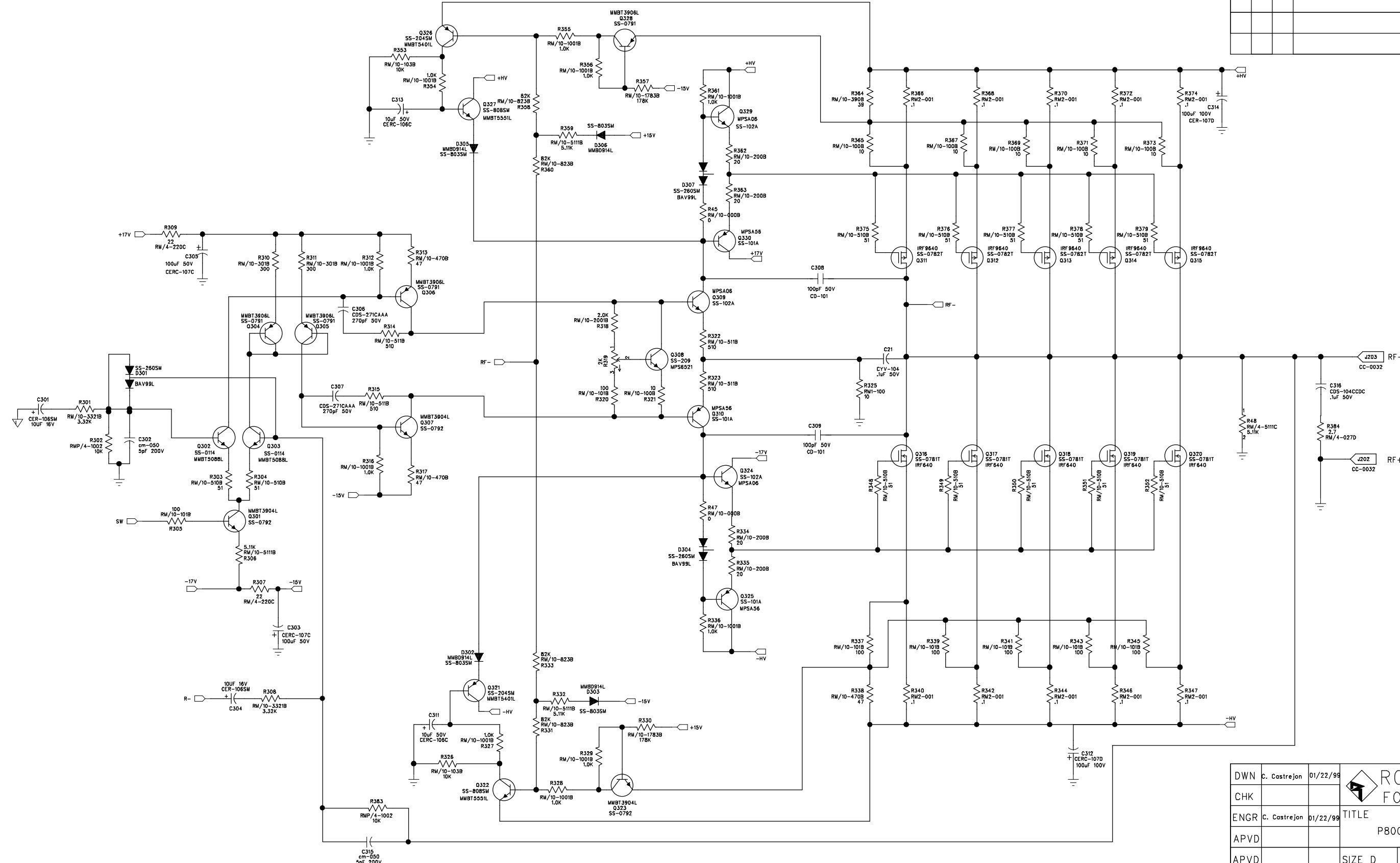
Z	SYM	DA	REVISION RECORD	AUTHORITY	DRAW	CHECK
			RELEASED			

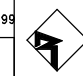
DWN	C.Castrejon	01/22/99	ROCKFORD FOSGATE CORPORATION DIVISION TEMPE AZ
CHK			
ENGR	C.Castrejon	01/22/99	TITLE
APVD			G800a2 LEFT CHANNEL
APVD			SIZE D
MATL/FS			SHEET 3 OF 4
	FILE NAME	PART NO.	REV
	PC-203B-D.SCH		D

FILE NAME REV D

0	1	2	3	4	5	6	7	8	9	10	11	12	13	14				
												Z	SYM	DA	REVISION RECORD	AUTHORITY	DRAW	CHECK

I  
H  
G  
F  
E  
D  
C  
B  
A



DWN	C. Costrejon	01/22/99	 <b>ROCKFORD FOSGATE</b> CORPORATION DIVISION TEMPE AZ
CHK			
ENGR	C. Costrejon	01/22/99	TITLE
APVD			P800.2 RIGHT CHANNEL
APVD			SIZE D
MATL/FS			SHEET 4 OF 4
			FILE NAME
			PART NO.
			REV D

PART NO.