

Assembly locations (1 of 2)

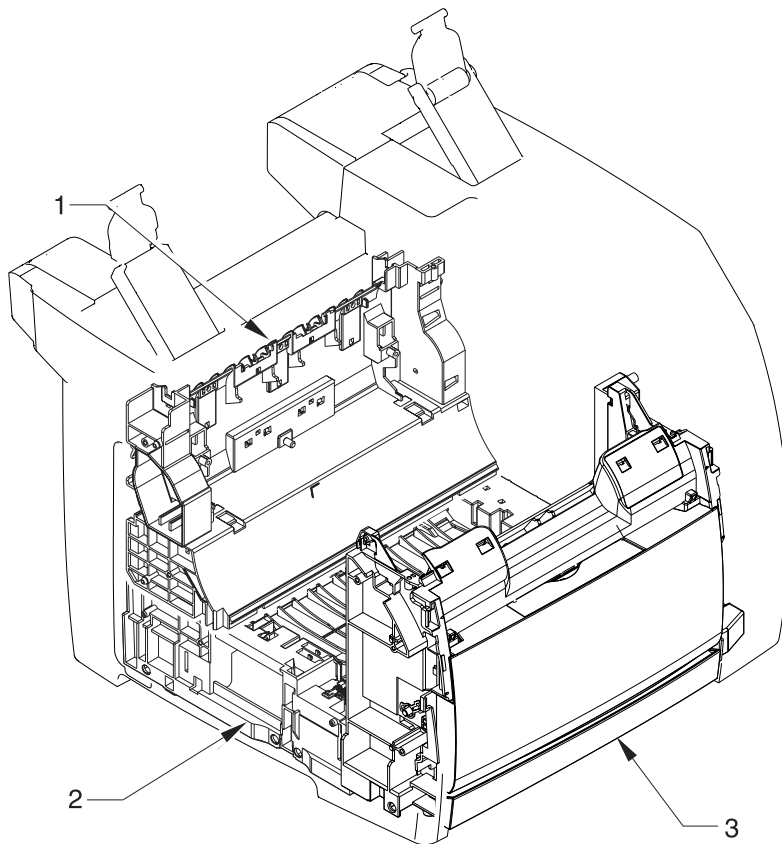


Figure 7-2 Assembly locations (1 of 2)