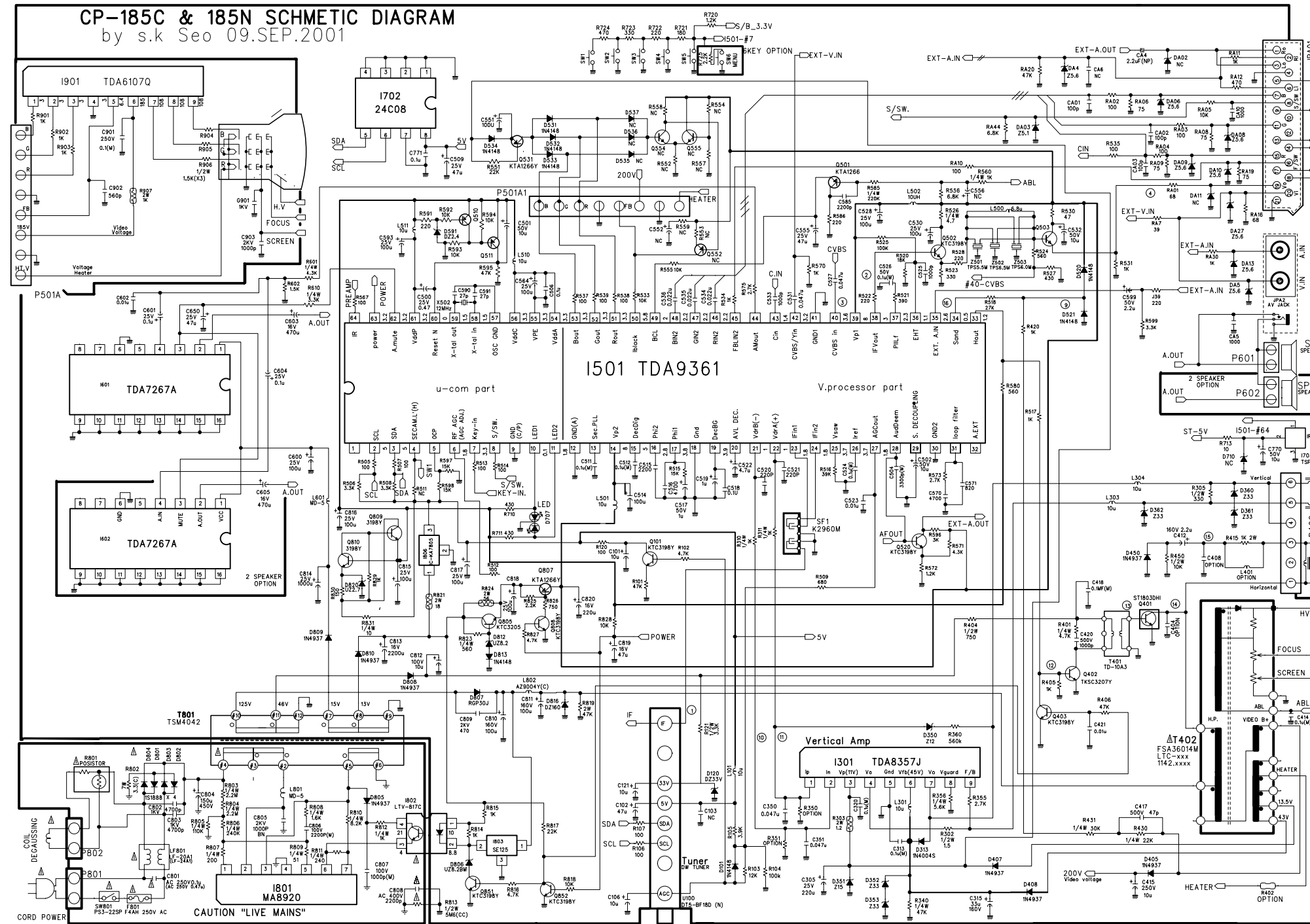


# SCHEMATIC DIAGRAM



**NOTE:**

1. RESISTANCE IS SHOWN IN OHM. K=1000, M=1000000
2. UNLESS OTHERWISE NOTED IN SCHEMATIC ALL CAPACITOR VALUES ARE EXPRESSED IN uF
3. VOLTAGES READ WITH "VTVM" FROM POINT INDICATED TO CHASSIS GROUND USING A COLOR BAR SIGNAL WITH ALL CONTROLS AT NORMAL LINE 230V AC VOLTAGE READINGS SHOWN ARE NORMAL VALUES AND MAY VARY +20% EXCEPT H.V
4. THIS CIRCUIT DIAGRAM IS A STANDARD ONE CIRCUIT PRINTED MAY BE SUBJECT TO CHANGE FOR PRODUCT IMPROVEMENT WITHOUT PRIOR NOTICE

**WARNING:**  
BEFORE SERVICING THE CHASSIS, READ "X-RAY RADIATION", "SAFETY PRECAUTION", AND "PRODUCT SAFETY NOTICE" IN SERVICE MANUAL

**CAUTION TO SERVICE TECHNICIANS:**  
BEFORE RETURNING THE RECEIVER TO CUSTOMER, LEAKAGE CURRENT OR RESISTANCE MEASUREMENTS SHOULD BE PERFORMED TO DETERMINE THAT EXPOSED PARTS ARE PROPERLY INSULATED FROM THE SUPPLY CIRCUIT.

**THE DIFFERENT PARTS FOR CRT**

LOC.	14 INCH(CPT)	20 INCH(CPT)	21 INCH(PHILIPS)
C404	1.6KV 6200PF	1.6KV 9100PF	1.6KV 7500PF
C408	200V 0.36UF	200V 0.47UF	200V 0.68UF
L401	NONE	NONE	L-76
R801	140M290	70M290	70M290
SC11	PCSE33A	PCSE29-03C	PCSE29-03C
J007	WIRE COPPER	WIRE COPPER	NONE
R350	1/4W 1K	1/4W 1.2K	1/4W 1.5K
R351	1/4W 1K	1/4W 1.2K	1/4W 1.5K
R556	1/6W 7.5K	1/6W 6.8K	1/6W 5.6K
R810	1/4W 6.8K	1/4W 7.5K	1/4W 7.5K
R402	1W 2 OHM	1W 2.4 OHM	1W 1.2 OHM
V001	ODY-M1401	CDY-S2017	W/ITC
V901	A34JL90X	A48AGY13X	A51EFK155X01
ZZ131	4015-1015-1P	20015-1015-1P	21015-1015-1P
ZZ131	DC-1450	DC-20SF	DC-21SF

**PRODUCT SAFETY NOTE :**  
THE COMPONENTS MARKED WITH ⚠ ARE IMPORTANT FOR MAINTAINING THE SAFETY OF THE SET AND SHOULD BE REPLACED ONLY WITH TYPES IDENTICAL TO THOSE IN THE ORIGINAL OR SPECIFIED ONE IN THE PART LIST. DON'T DEGRADE THE SAFETY OF THE SET THROUGH IMPROPER SERVICING.

**\* WAVEFORMS**

TEST CONDITIONS : PAL-B/G COLOR BAR (NOR.1)

