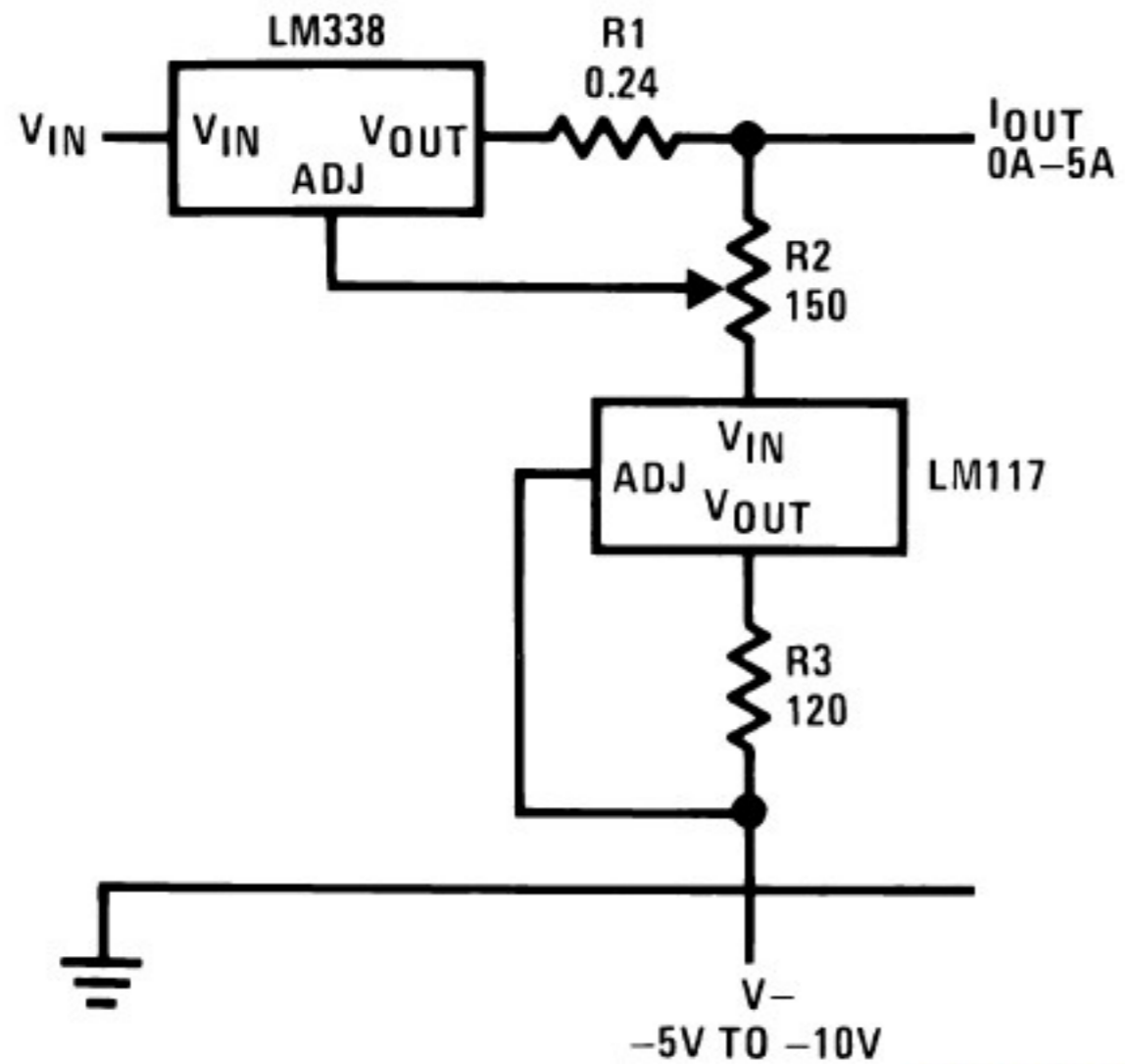


Typical Applications (Continued)

Adjustable Current Regulator

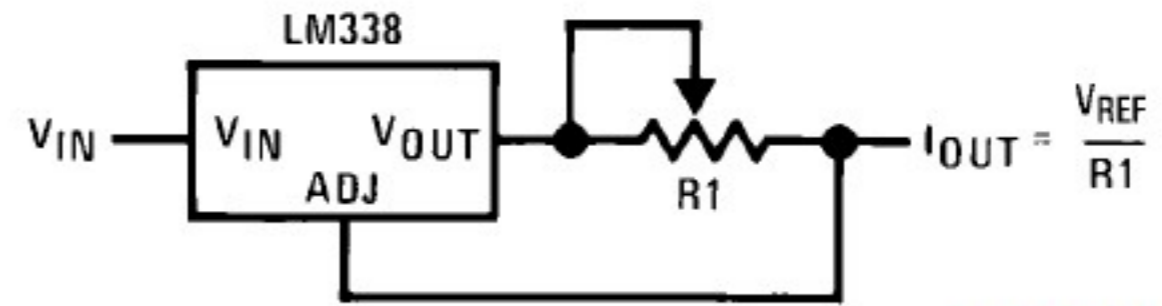


DS009060-21

5A Current Regulator

LM338

Precision Current Limiter



DS009060-22

Tracking Preregulator

R2