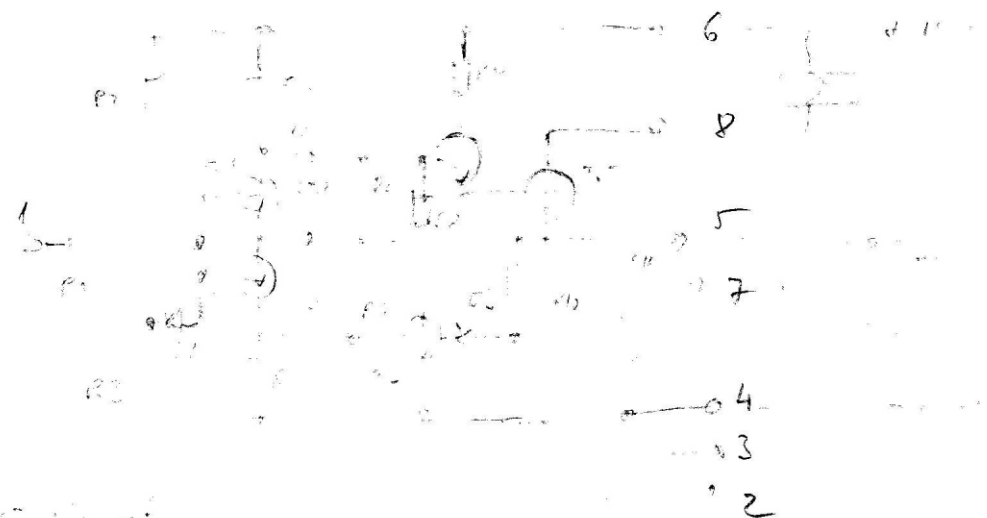
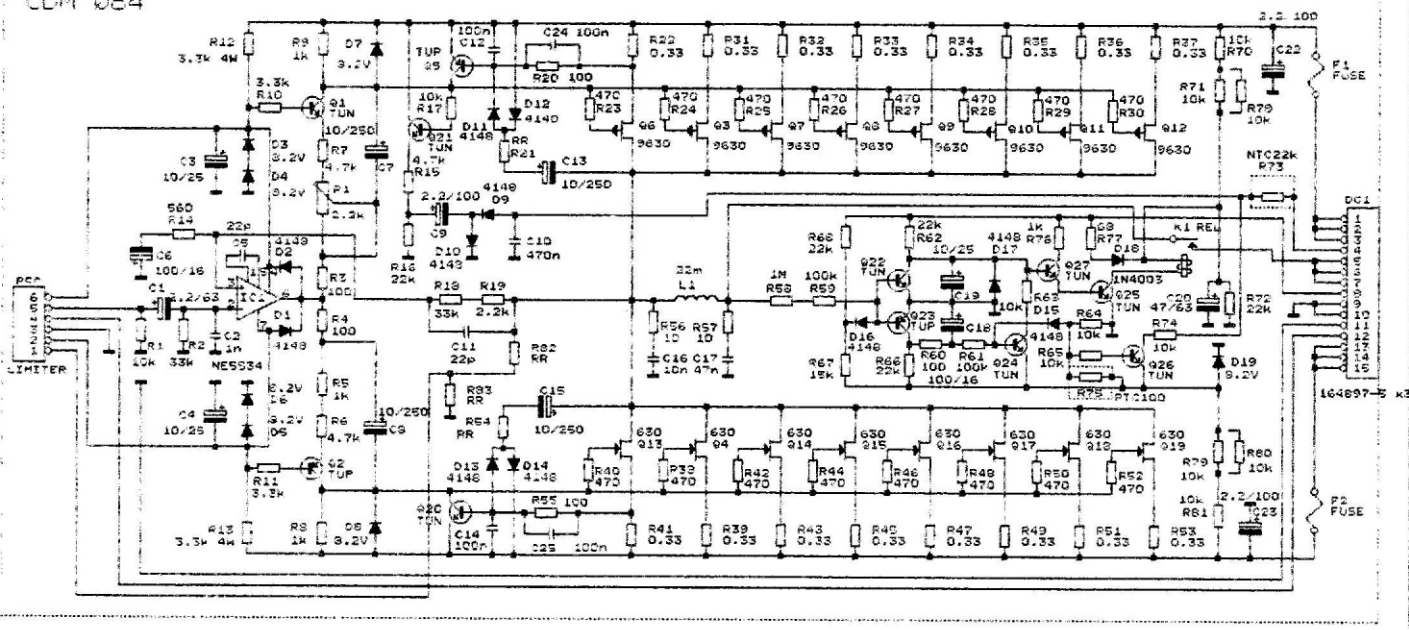
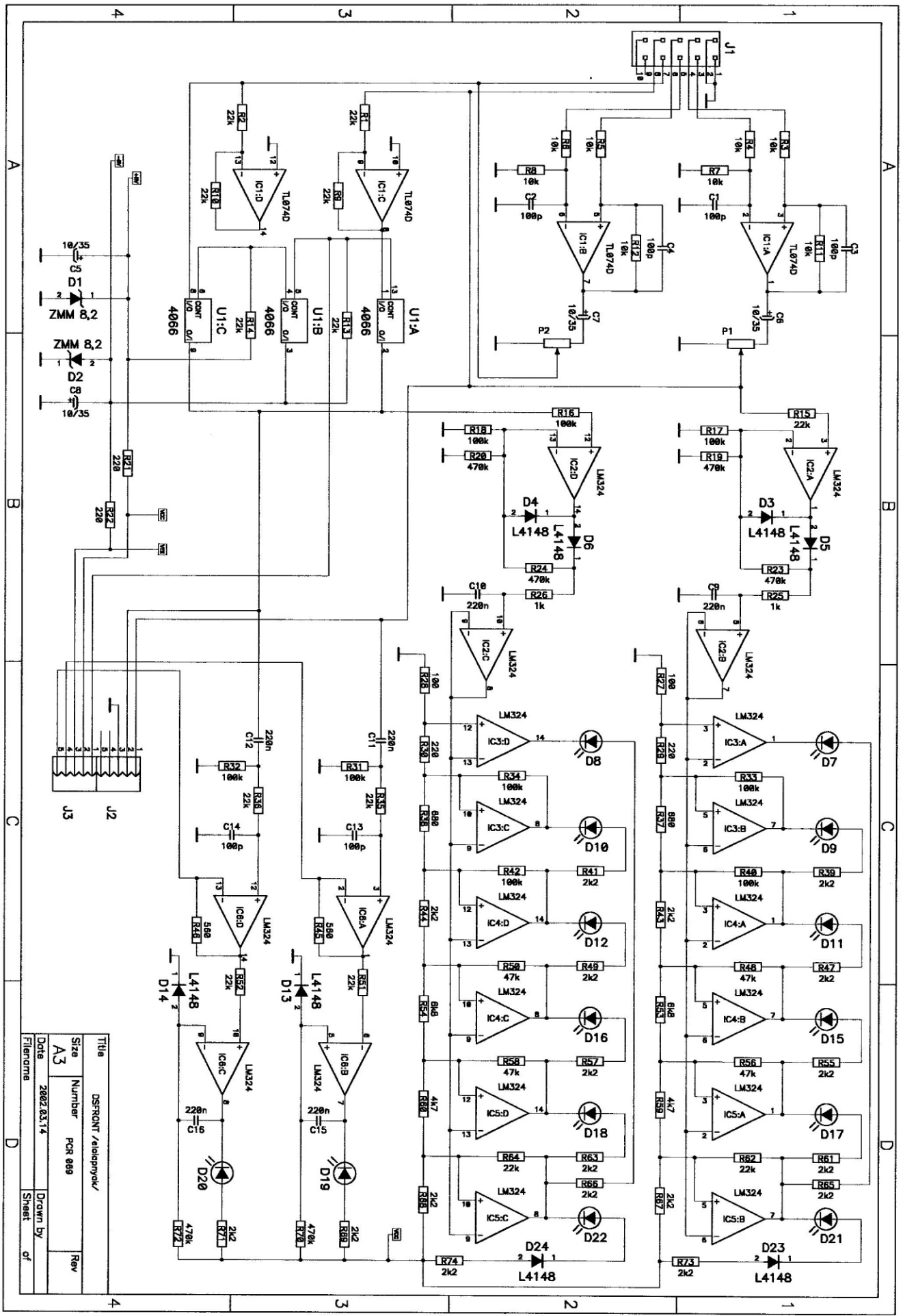


CDM 084



1 1 1 1 1 1 1 1
 1 2 3 4 5 6 7 8
 L +



Title	DSFRONT/relolapnyok/
Size	A3
Number	PCR 009
Rev	
Date	2002.03.14
Filename	
Drawn by	
Sheet	of