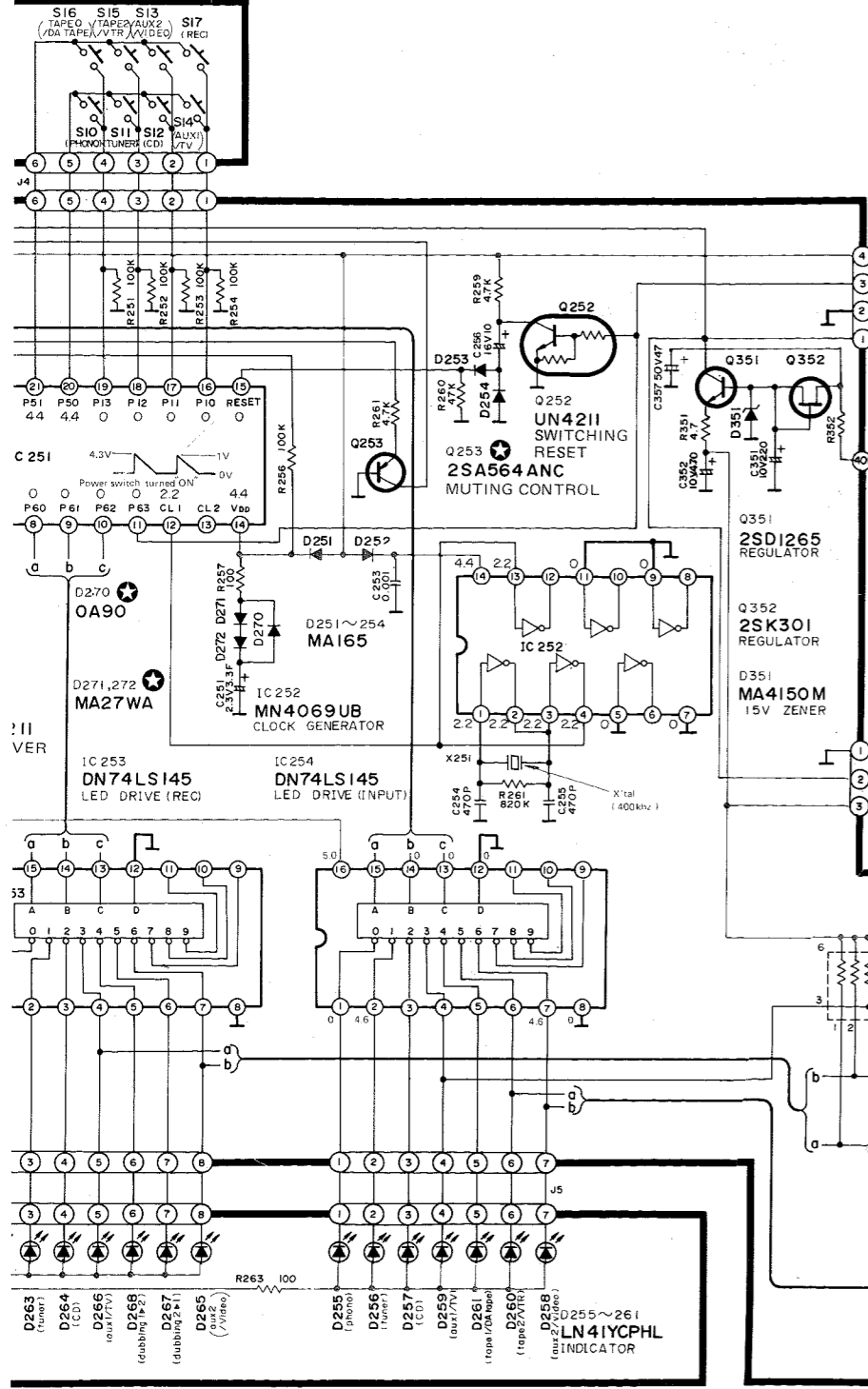


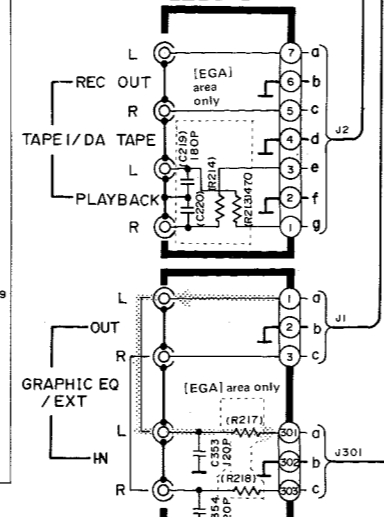
VIDEO INPUT SELECTOR



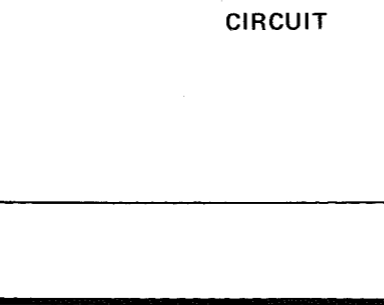
INPUT LED



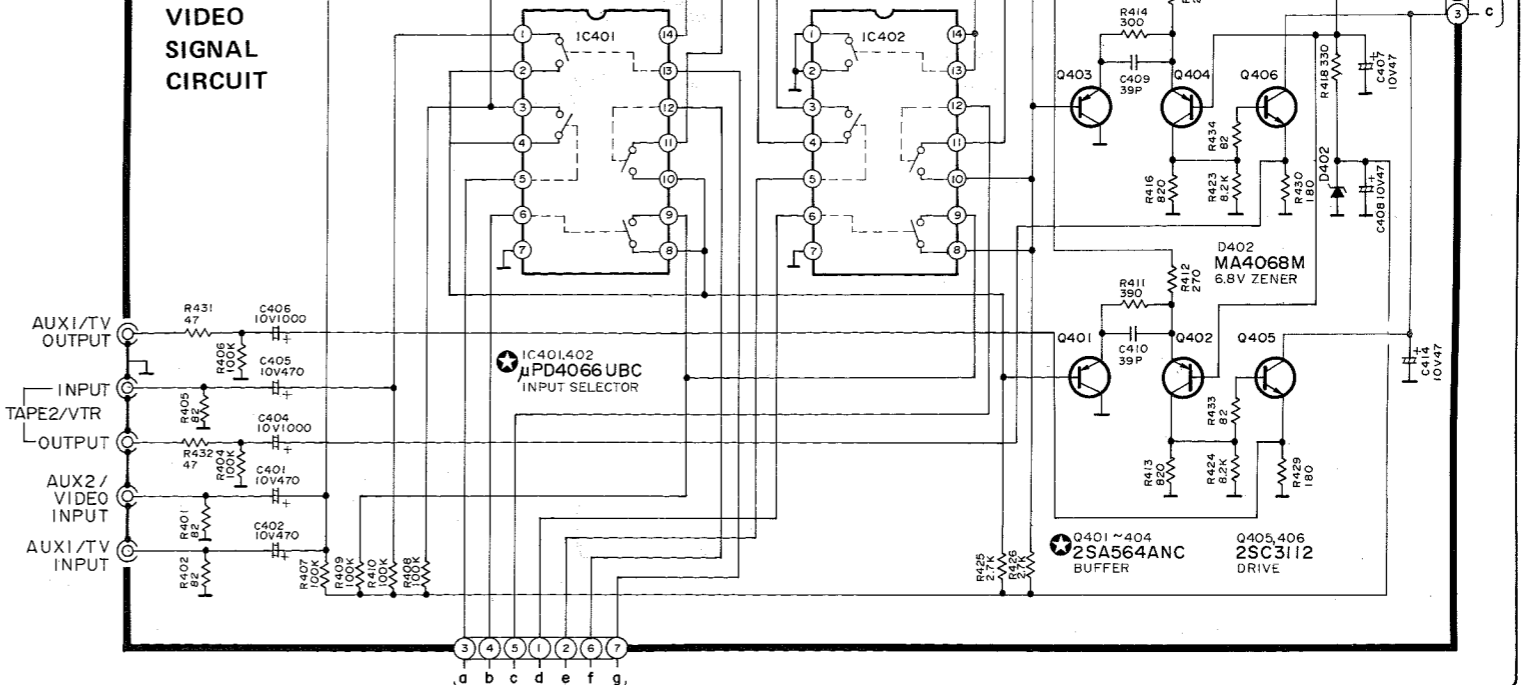
D TAPE1/ DA TAPE



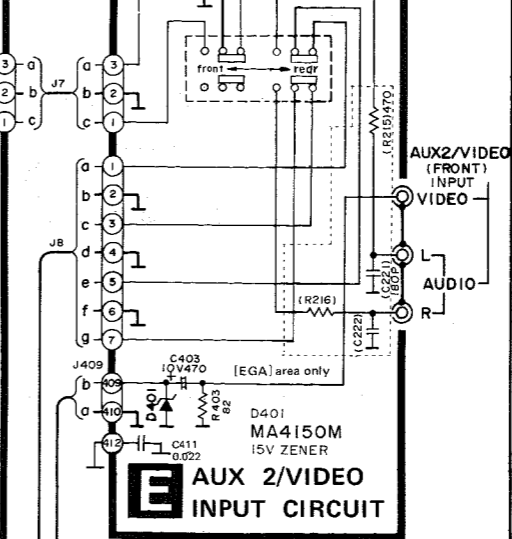
T GRAPHIC EQ/EXT CIRCUIT



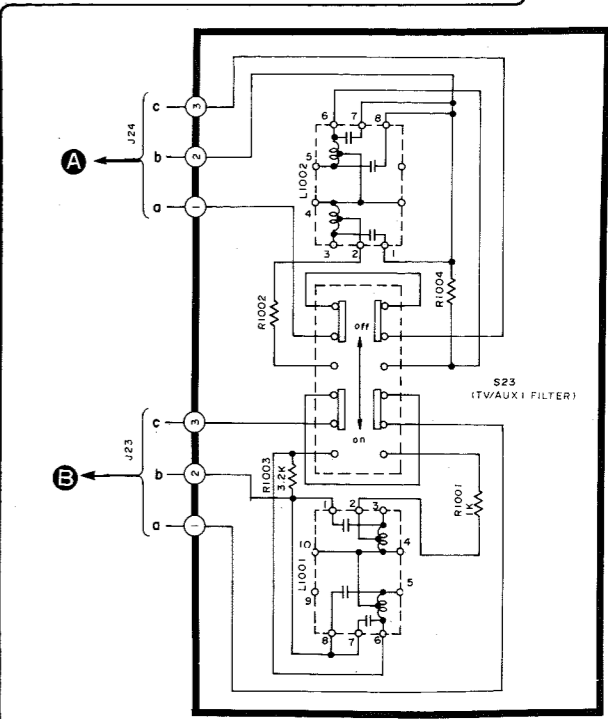
S VIDEO SIGNAL CIRCUIT

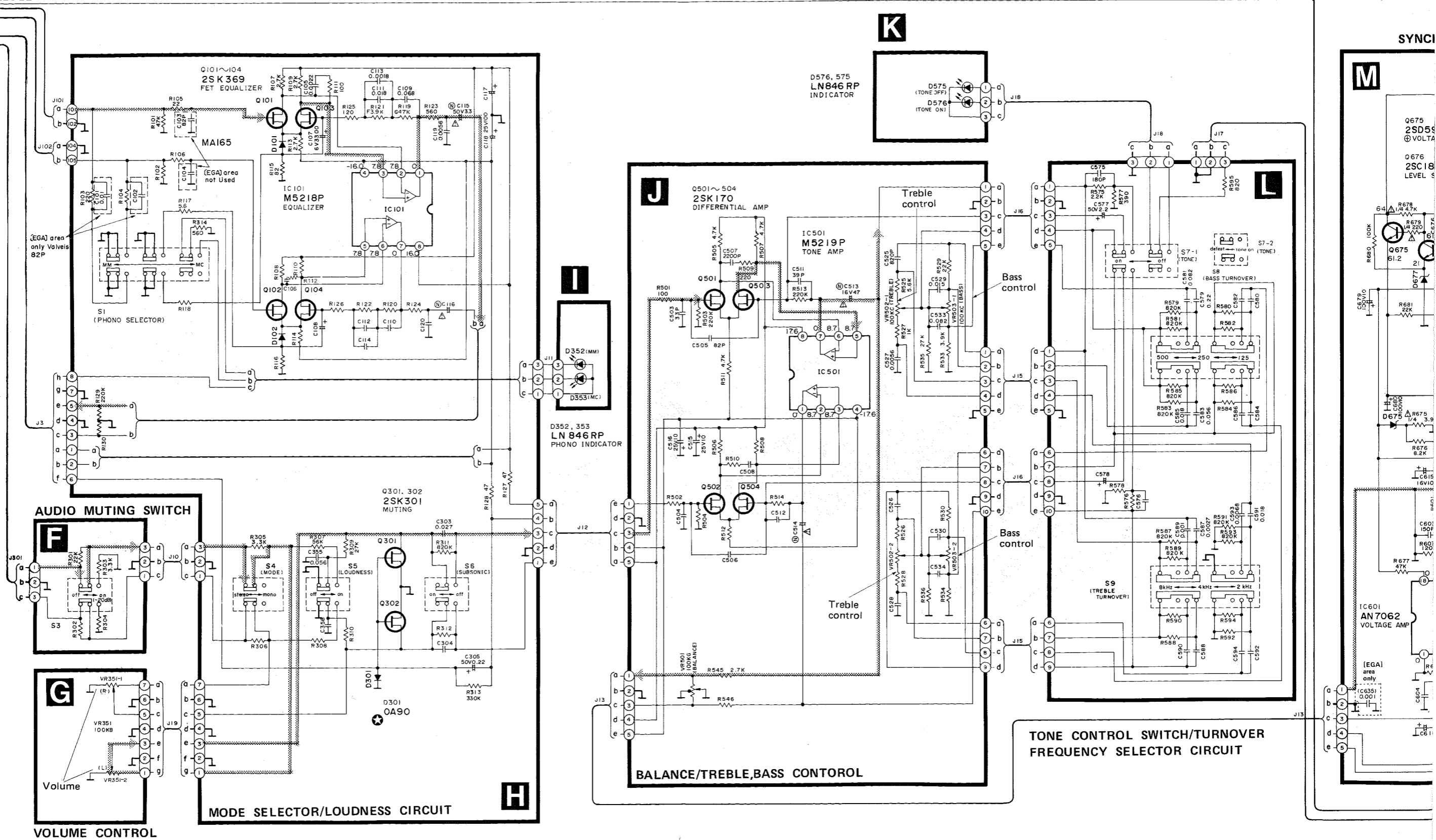


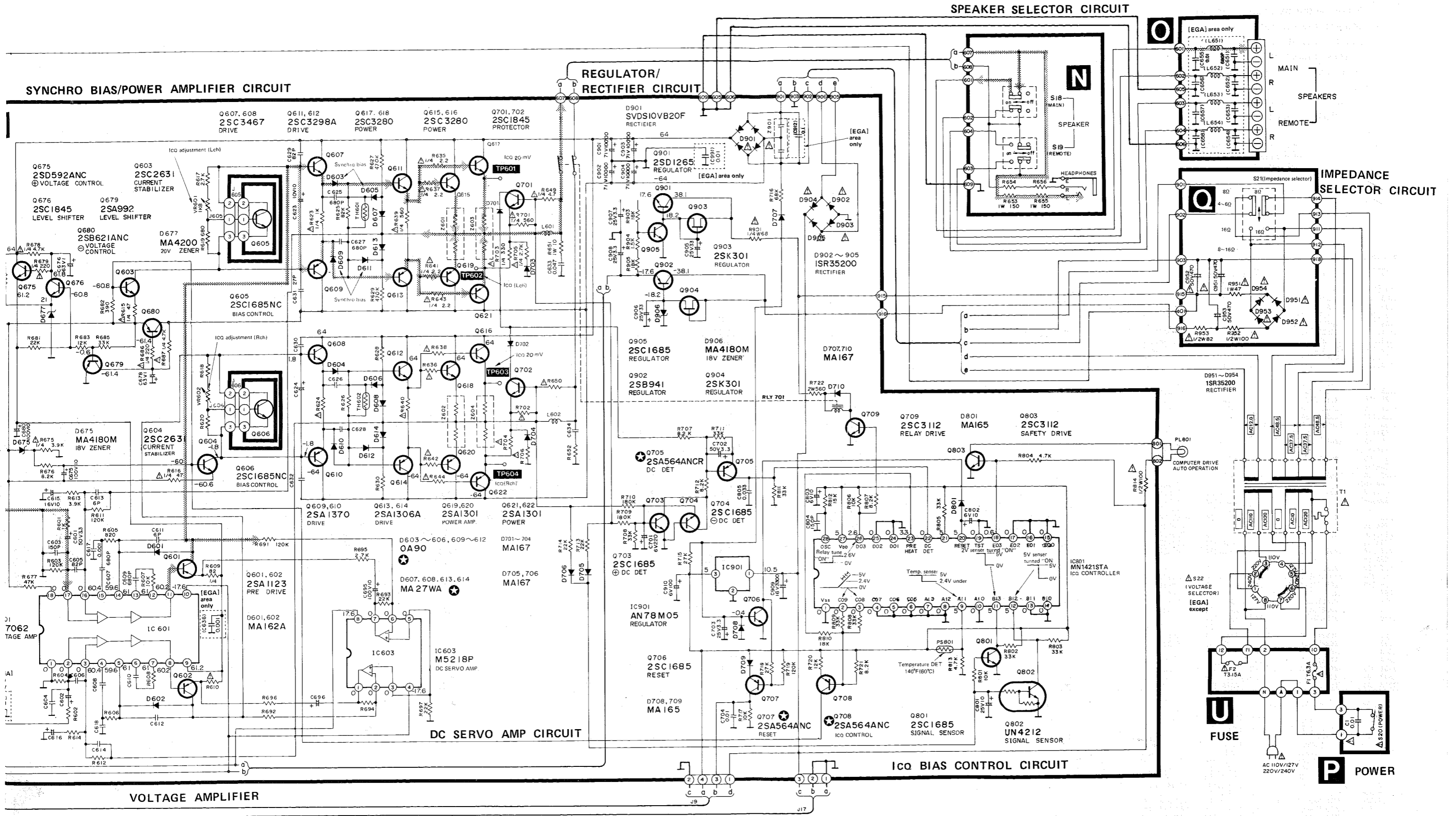
E AUX 2/VIDEO INPUT CIRCUIT

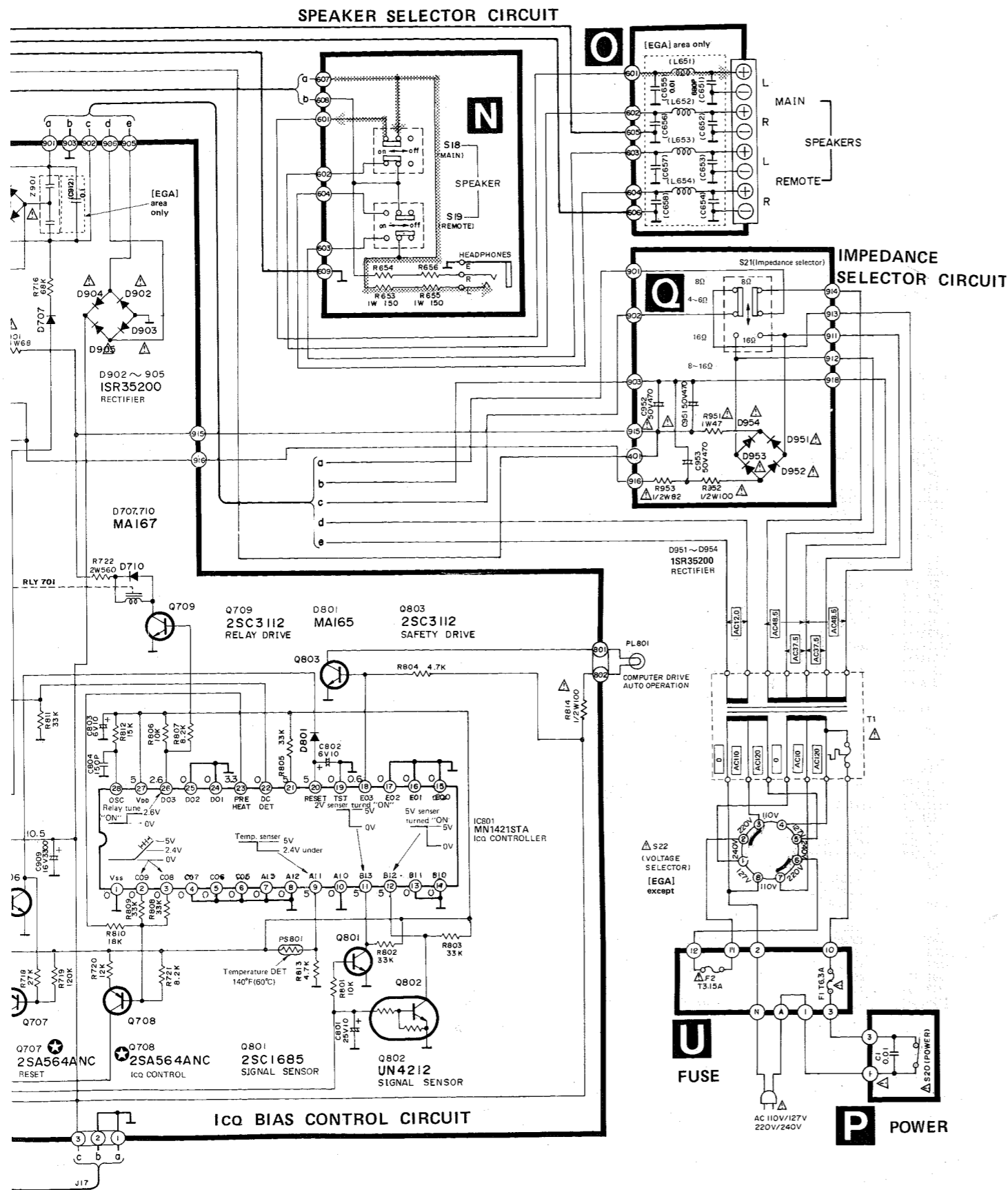


R TV/AUX1 INPUT CIRCUIT









**SCHEMATIC DIAGRAM**

• The part No. of transistors, IC and diodes mentioned in the schematic diagram stand for production part No. Regarding the part No. with  $\star$  mark, the production part No. are different from the replacement part No. Therefore, when placing an order for replacement part, please use the part No. in the replacement parts list.

1. **S1:** Phono selection switch in "MM" position.  
MM  $\leftrightarrow$  MC
2. **S2:** AUX 2 / Video selection switch in "rear" position.  
front  $\leftrightarrow$  rear
3. **S3:** Muting switch in "off" position.  
off  $\leftrightarrow$  on (-20dB)
4. **S4:** Mode switch in "stereo" position.  
stereo  $\leftrightarrow$  mono
5. **S5:** Loudness switch in "off" position.  
off  $\leftrightarrow$  on
6. **S6:** Subsonic switch in "off" position.  
off  $\leftrightarrow$  -20Hz
7. **S7-1, 7-2:** Tone control switch in "on" position.  
tone on  $\leftrightarrow$  defeat
8. **S8:** Bass turnover switch in "500Hz" position.  
500Hz  $\leftrightarrow$  250Hz  $\leftrightarrow$  125Hz
9. **S9:** Treble turnover switch in "8kHz" position.  
8kHz  $\leftrightarrow$  4kHz  $\leftrightarrow$  2kHz
10. **S10-S17:** Input selection switch  
**S10:** Phono, **S11:** tuner, **S12:** CD,  
**S13:** AUX 2 / Video, **S14:** AUX 1 / TV,  
**S15:** TAPE 2 / VCR,  
**S16:** TAPE 1 / DA TAPE, **S17:** REC mode
11. **S18:** Main speaker switch in "on" position.  
on  $\leftrightarrow$  off
12. **S19:** Remote speaker switch in "off" position.  
on  $\leftrightarrow$  off
13. **S20:** Power switch in "on" position.
14. **S21:** Impedance selection switch in "4 ~ 6 $\Omega$  / 8 $\Omega$ " position.  
4 ~ 6 $\Omega$   $\leftrightarrow$  8 ~ 16 $\Omega$   
8 $\Omega$   $\leftrightarrow$  16 $\Omega$
15. **S22 (Except for [EGA]):** Voltage selector switch "220V" position.  
127  $\leftrightarrow$  110V  $\leftrightarrow$  220V  $\leftrightarrow$  240V
16. **S23:** TV/AUX 1 input filter switch in "on(TV)" position.  
off  $\leftrightarrow$  on(TV)
17. Indicated voltage values are the standard values for the unit measured by the DC electronic circuit tester (high-impedance) with the chassis taken as standard. Therefore, there may exist some errors in the voltage values, depending on the internal impedance of the DC circuit tester.
18.  $\text{---}\Delta\text{---}$  Phono signal (Lch)
19.  $\text{---}$  Positive voltage lines or Negative voltage lines.
20. Important safety notice:  
Components identified by  $\Delta$  mark have special characteristics important for safety. When replacing any of these components use only manufacturer's specified parts.