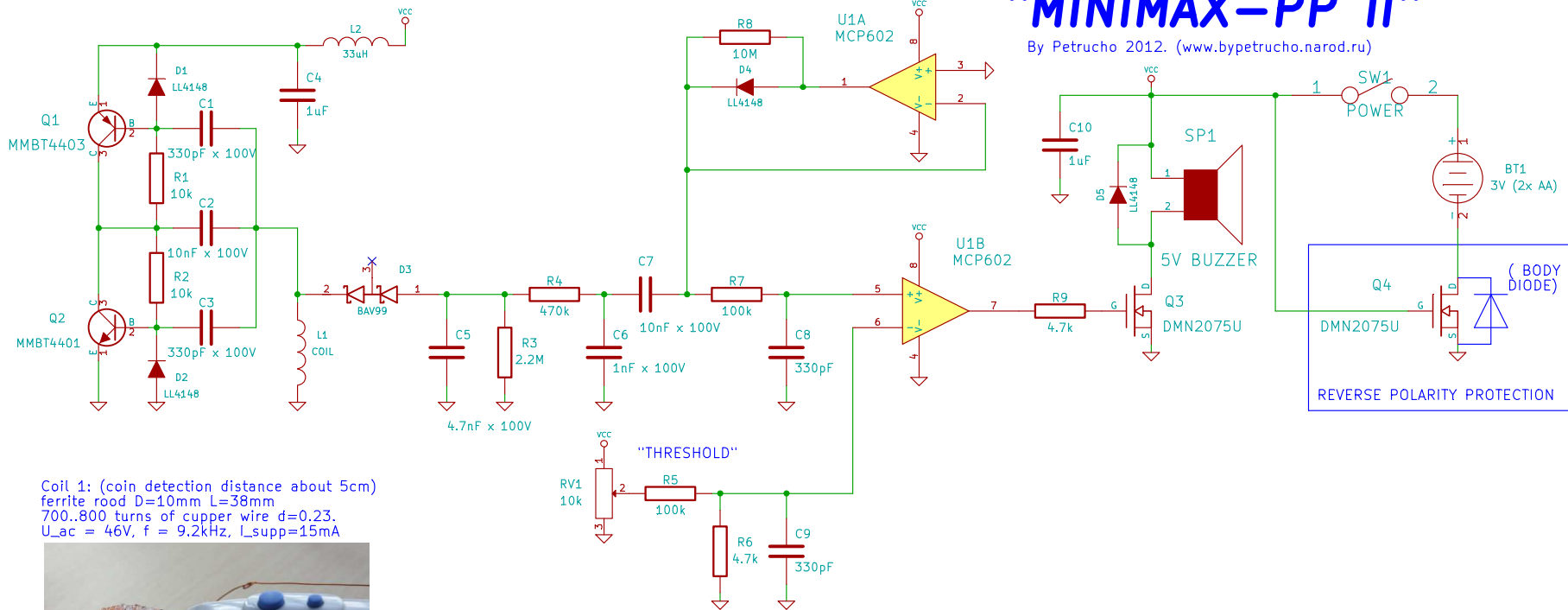


"MINIMAX-PP II"

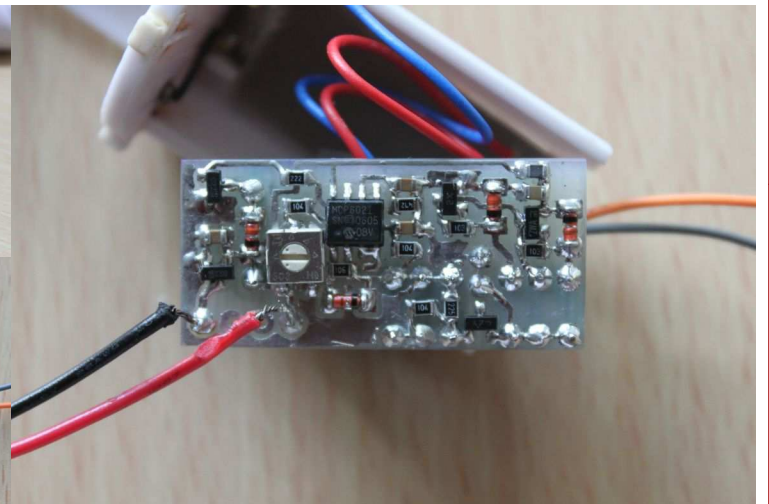
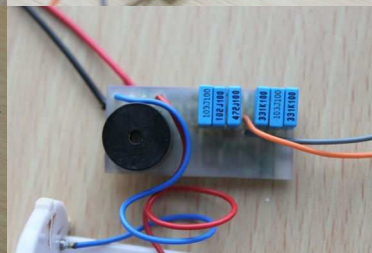
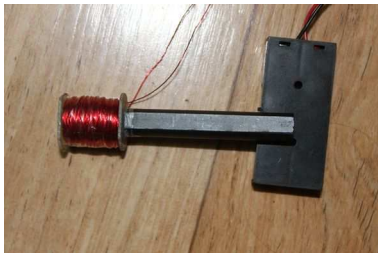
By Petrucho 2012. (www.bypetrucho.narod.ru)



Coil 1: (coin detection distance about 5cm)
 ferrite rood D=10mm L=38mm
 700..800 turns of cupper wire d=0.23.
 $U_{ac} = 46V$, $f = 9.2kHz$, $I_{supp}=15mA$



Coil 2: (coin detection distance about 7cm)
 ferrite rood D=10mm L=80mm
 400 turns of cupper wire d=0.35.
 $U_{ac} = 38V$, $f = 17.2kHz$, $I_{supp}=19mA$



By Petrucho 2012 (www.bypetrucho.narod.ru)

File: MINIMAX-PP-II.sch

Sheet: /

Title: Pinpointer "MINIMAX-PP II"

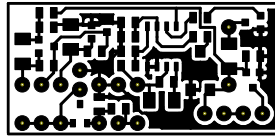
Size: A4 Date: 5 mar 2012

KiCad E.D.A. eschema (2012-01-19 BZR 3256)-stable

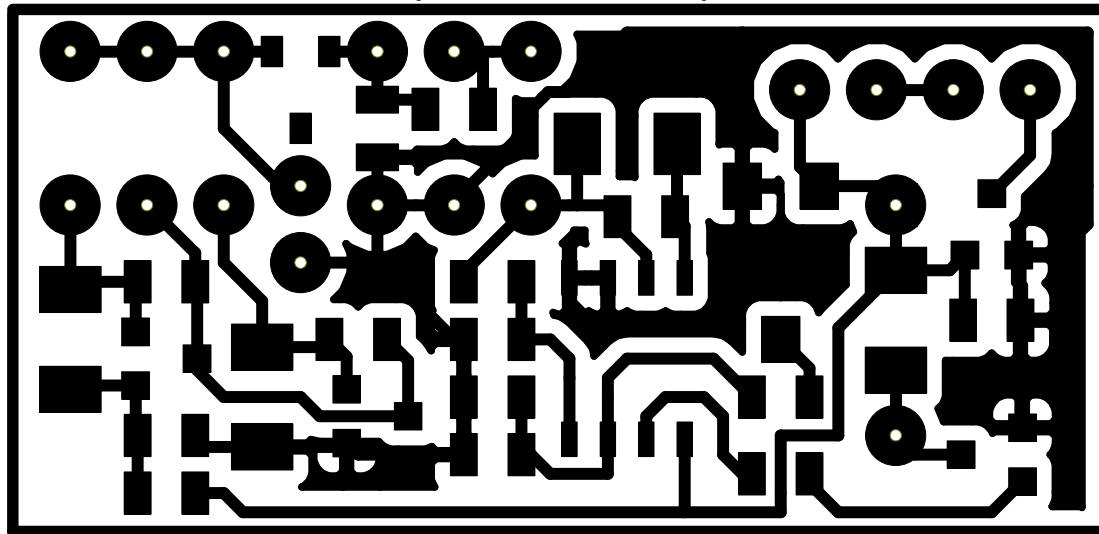
Rev: 1

Id: 1/1

LUT (MIRRORED) 1x SCALE



Verify LUT (NORMAL) 4x SCALE



TOP ASSEMBLY DRAWING

