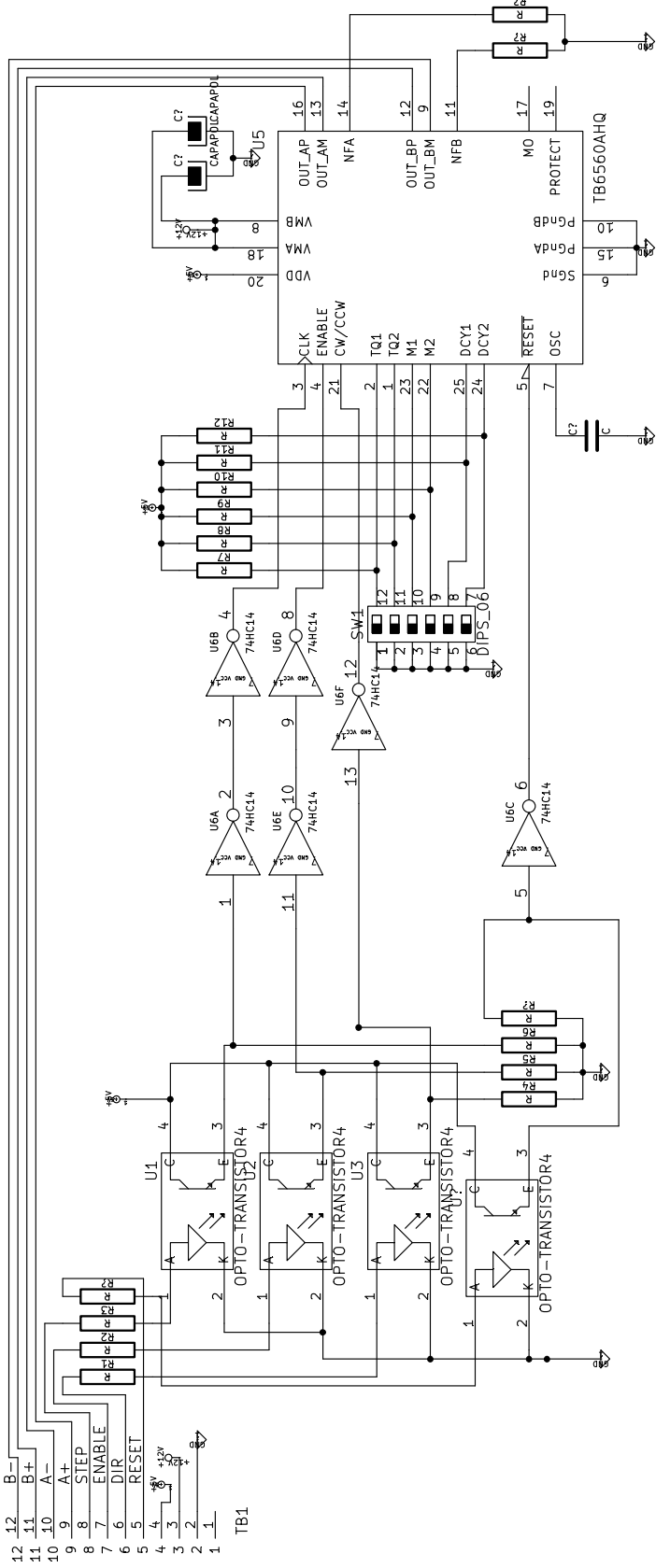


W237-12

- 12 B-
- 11 B+
- 10 A-
- 9 A+
- 8 STEP
- 7 ENABLE
- 6 DIR
- 5 RESET
- 4 5V
- 3 4.5V
- 2 0V
- 1 TB1



File: cnc.sch
Sheet: /

Title:

Size: A4 Date: 17 mar 2014

KiCad E.D.A. eeschema (2013-07-07 BZR 4022)-stable

Rev:
Id: 1/1