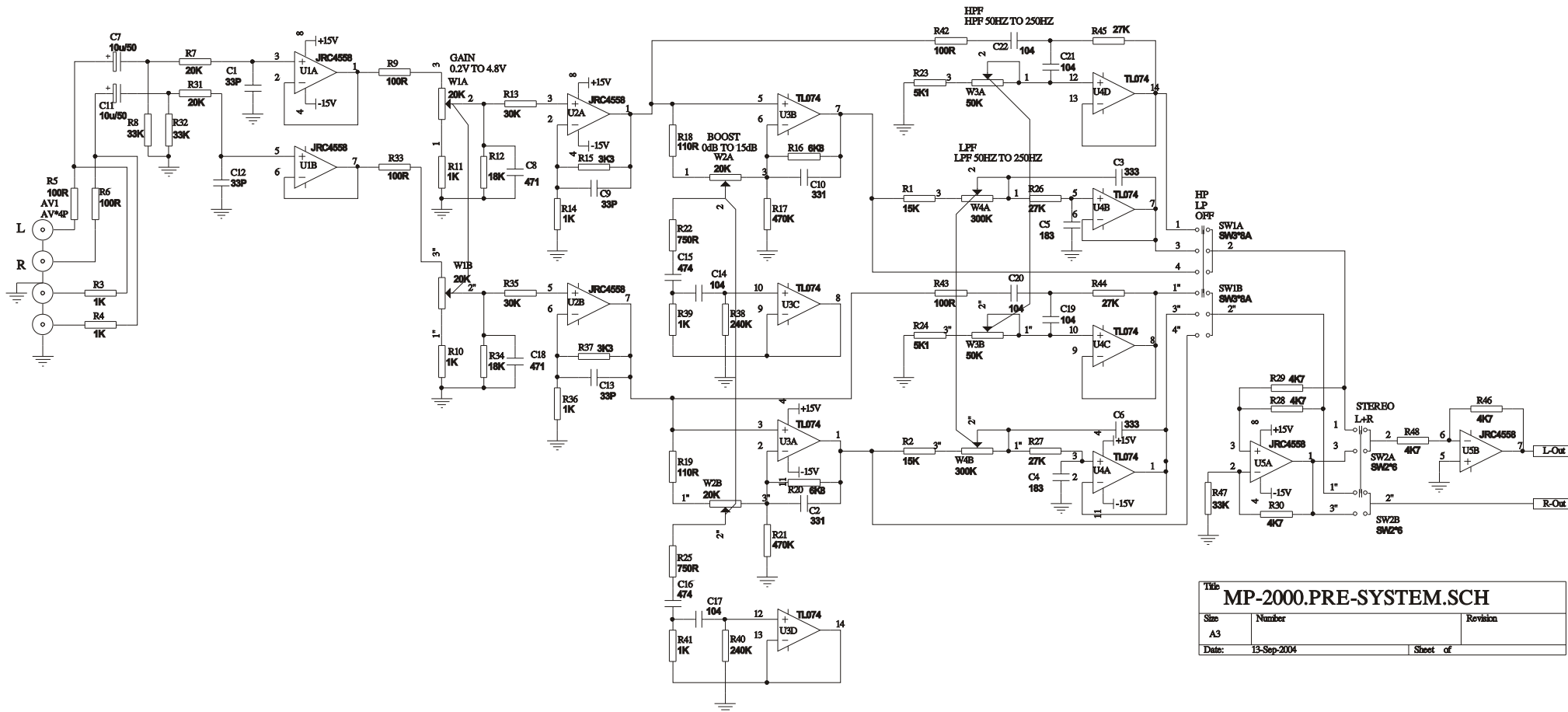




**MP 2000**

Maße über alles: 239 mm x 59 mm x 226 mm

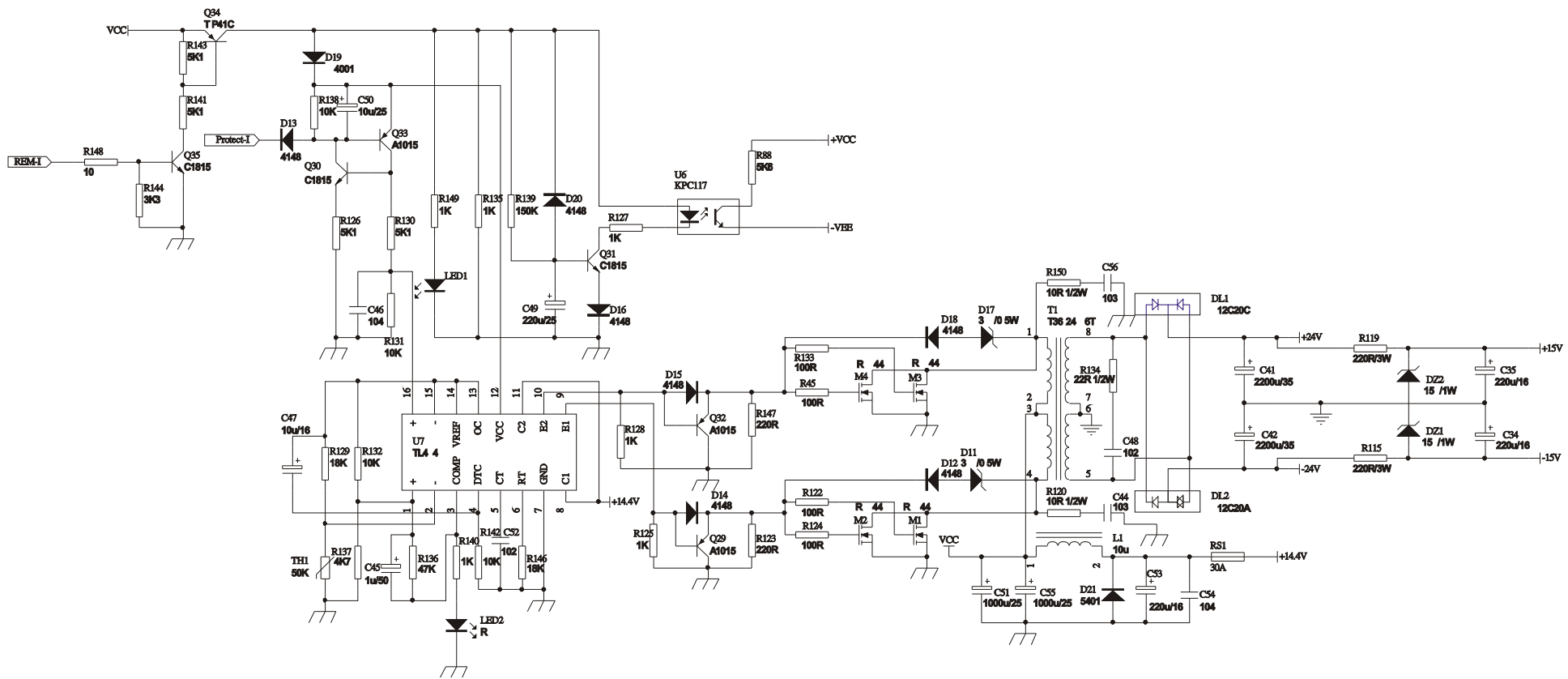




**MP-2000.PRE-SYSTEM.SCH**

Size	Number	Revision
A3		
Date:	13-Sep-2004	Sheet of





Title		
<b>MP-2000.POW-SYSTEM.SCH</b>		
Size	Number	Revision
A3		
Date:	13-Sep-2004	Sheet of



## Spare part list

Product Name: Car Amplifier  
Brand Name : Mac Audio

Model No. :MP-2000

Serial number	Types	Description of components	C	u	Unit	C
001	PCB	PCB	MP-2000:PCB-A01	1	PC	
002	Safety components	Coils	Φ36	1	PC	
		OSC Coils	Φ10	1	PC	
		Fuse	30A	1	PC	
		Fuse Holder	one way	1	PC	
003	Inserting components	RCA socket	A 4 7	1	PC	AV1
		Terminals	three way	1	PC	JX1
			four way	1	PC	JX2
		Direct-Pulling Switch	SK22H09G9	1	PCS	SW2
			SK23D29G9	1	PCS	SW1
004	IC	IC	JRC4558C	3	PCS	U1, U2, U3
			PC817	1	PCS	U6
			TL074	2	PCS	U4, U5
			TL4 4	1	PCS	U7
005	Transistor	MOSFET	R 44	4	PCS	1 2 3 4
		T	A1013	2	PCS	15 20
			C2383	2	PCS	7 12
			A1015	12	PCS	8 11 17 18 24 25 26 27 2 32 33 34
			C1815	15	PCS	1 4 10 13 14 16 1 23 28 30 31 35
			A1695	2	PCS	21 22
			C4468	2	PCS	5 6
		Schottky Barrier Rectifier	12C20A	1	PCS	L2
			12C20C	1	PCS	L1
		Rectifier Diodes	5401	1	PCS	21
		Switch Diodes	4148	18	PCS	
		LED	φ3	2	PCS	red ,green
		Voltage Stabilizing Diodes	15 /1W	2	PCS	1 2
			3 /0 5W	2	PCS	11 17

## Spare part list

Product Name: Car Amplifier  
Brand Name : Mac Audio

Model No. : MP- 2000

Serial number	Types	Description of components	C	u	Unit	C		
006	Resistors	Thermal Resistors	RTH-50K	1	PCS	with metal "Y"		
		RTX-5W-0 1Ω	4	PCS	R65 R66 R101 R102			
		RTX-3W-220Ω	2	PCS	R115,R119			
		RTX-1/2W-3Ω	4	PCS	R63 R64 R100 R103			
		RTX-1/2W-4.7Ω	2	PCS	R151 R152			
		RTX-1/2W-10Ω	2	PCS	R120 R150			
		RTX-1/2W-22Ω	1	PCS	R134			
		RTX-1/4W-47Ω	4	PCS	R4 R50 R115 R11			
		RTX-1/8W-39Ω	8	PCS	R69 R70 R71 R72 R93 R94 R95 R96			
		RTX-1/8W-47Ω	8	PCS	R67 R68 R73 R74 R 1 R 2 R 7 R 8			
		RTX-1/8W-100Ω	14	PCS	R5 R6 R R R33 R42 R43 R55 R5 R106 R111 R122 R124 R133 R145			
		RTX-1/8W-110Ω	2	PCS	R18 R1			
		RTX-1/8W-220Ω	8	PCS	R7 R84 R51 R56 R107 R110 R123 R147			
		RTX-1/8W-750Ω	2	PCS	R22 R25			
		RTX-1/8W-1KΩ	20	PCS				
		RTX-1/8W-1 3KΩ	2	PCS				
		RTX-1/8W-2 2KΩ	4	PCS				
		RTX-1/8W-3 3KΩ	5	PCS	R15 R37 R 0 R R144			
		RTX-1/8W-3 KΩ	2	PCS	R78 R85			
		RTX-1/8W-4 7KΩ	6	PCS	R28 R2 R30 R46 R48 R137			
		RTX-1/8W-5.1KΩ	6	PCS	R23, R24, R126 R130 R141 R143			
		RTX-1/8W-5.6KΩ	2	PCS	R88 R14			
		RTX-1/8W-6 8KΩ	2	PCS	R16 R20			
		RTX-1/8W-9 1KΩ	2	PCS	R52 R62			
		RTX-1/8W-10KΩ		PCS	R80, R83, R116 R118 R131 R132 R138 R142 R148			
		RTX-1/8W-15KΩ	2	PCS	R1, R2,			
		RTX-1/8W-18KΩ	4	PCS	R12 R34 R146 R12			
		RTX-1/8W-20KΩ	2	PCS	R7 R31			
		RTX-1/8W-22KΩ	2	PCS	R114 R117			
		RTX-1/8W-27KΩ	4	PCS	R26 R27 R44 R45			
		RTX-1/8W-30KΩ	2	PCS	R13 R35			
		RTX-1/8W-33KΩ	3	PCS	R8 R32 R47			
		RTX-1/8W-47KΩ	7	PCS	R57 R58 R108 R10 R136 R155 R156			
		RTX-1/8W-56KΩ	4	PCS	R75 R76 R87 R8			
		RTX-1/8W-150KΩ	1	PCS	R13			
		RTX-1/8W-240kΩ	2	PCS	R38 R40			
		RTX-1/8W-470kΩ	2	PCS	R17 R21			
				Trimmers	1710-15-axis-c50K	1	PCS	
					1710-15-axis-c20KΩ	2	PCS	
					1710-15-axis-c300K	1	PCS	



## Spare part list

Product Name: Car Amplifier  
Brand Name : Mac Audio

Model No. : MP- 2000

Serial number	Types	Description of components	C	u	Unit	C
007	capacitors	Electrolytic capacitors	CD11-50V-1u 85□	1	PCS	C45
			CD11-25V-10u 85□	7	PCS	C7 C11□C23 C24 C33 C36 C50
			CD11-16V-47u 85□	2	PCS	C3 C40
			CD11-16V-100u 85□	1	PCS	C47
			CD11-16V-220u 85□	6	PCS	C30 C31 C34 C35 C4 C53
			CD11-35V-1000u 105□	2	PCS	C51 C55
			CD11-35V-2200u 105□	2	PCS	C41 C42
		Ceramic Electric Capacitors	CCX-63V-10p	2	PCS	C29, C32
			CCX-63V-33p	4	PCS	C1 C C12 C13
			CCX-63V-101	4	PCS	C27 C28 C37 C38
			CCX-63V-104	1	PCS	C46
			CCX-63V-331	2	PCS	C2 C10
		Polyester Capacitors	CL-100V-102	2	PCS	C52 C48
			CL-100V-103	2	PCS	C44 C56
			CL-100V-104	10	PCS	C14 C17 C43 C54 C57 C58 C1 C20 C21 C22
			CL-100V-183	2	PCS	C4, C5,
			CL-100V-333	2	PCS	C3 C6
		CBB Capacitors	474	2	PCS	C15, C16
		colour capactiors	222	2	PCS	C25 C26
			471	2	PCS	C8 C18
008	Connecting line	J line(Φ0.65mm)	4	4	PCS	
			5	1	PCS	
			6	15	PCS	
			7	1	PCS	
			8mm	10	PCS	
			10	3		
			12	6	PCS	
			13mm	1	PCS	
			14mm	2	PCS	
			15	1	PCS	
			16mm	2	PCS	
			18	3	PCS	
			20	3	PCS	

## Spare part list

Product Name: Car Amplifier  
Brand Name : Mac Audio

Model No. : MP- 2000

Serial number	Types	Description of components	Specifications & Model No.	u	Unit	components / Remark		
009	hardware	side alluminium cover	L=200MM	2	PCS			
		TOP Alluminium cover		1	PCS			
		Front Panel		1	PCS			
		Rear Panel		1	PCS			
		Bottom Panel		1	PCS			
		logo		1	PCS			
		amplifier brackets	big		2	PCS		
			middle		3	PCS		
		Screw	BT3X4				PCS	
			BAT2.5X6		2	PCS		
			BBH3X12		5	PCS		
			CAH3X10		3	PCS		
			CAH3X5		8	PCS		
			CMH3X5		6	PCS		
Meson	Φ3		6	PCS				
Flexibility Meson	Φ3		6	PCS				
010	Plastics	Polybag	70 50	1	PCS			
			370 320	1	PCS			
		mica plates	middle	4	PCS			
			small	6	PCS			
		Coils pad	Φ36	1	PCS			
		Knob		4	PCS			
Switch Catton Pad		2	PCS					
011	Package	Poly-form	Mp2000	1	PCS			
		Fuse	30A	1	PCS			
		Screw	A5 10	4	PCS			
		Meson	Φ5	4	PCS			
		Flexibility Meson	Φ5	4	PCS			
		User's Manual	Mp 2000	1	PCS			
		Gift Box	Mp2000	1	PCS			
012	Accessories	RCA Jacks Covering		4	PCS			
		Groundwire Solder Plate	Φ5	1	PCS			
		Tube		/	PCS			
		Glue						
		Tin			few			