

DRV10866EVM User's Guide

This document is provided with the DRV10866 customer evaluation module (EVM) as a supplement to the DRV10866 ([SBVS206](#)) datasheet. It details the hardware implementation of the EVM.

Contents

1	PCB	2
2	INTRODUCTION	3
	2.1 Power Connectors	3
	2.2 Test Points	3
	2.3 Jumpers	4
	2.4 Speed Adjust Potentiometer (R1)	6
	2.5 Motor Outputs	7
	2.6 Operation of the EVM	7
3	SCHEMATIC AND BILL OF MATERIALS	7

List of Figures

1	Top 3D View	2
2	Bottom 3D View	2
3	Top View (J4 Power Supply Header).....	3
4	Bottom View (Micro USB Jack)	3
5	J1 Location.....	4
6	J2 Location.....	5
7	Pin 1 of J2.....	5
8	Speed Adjust Potentiometer	6
9	Motor Outputs	7
10	COM Connection.....	7
11	DRV10866EVM Schematic	8

1 PCB

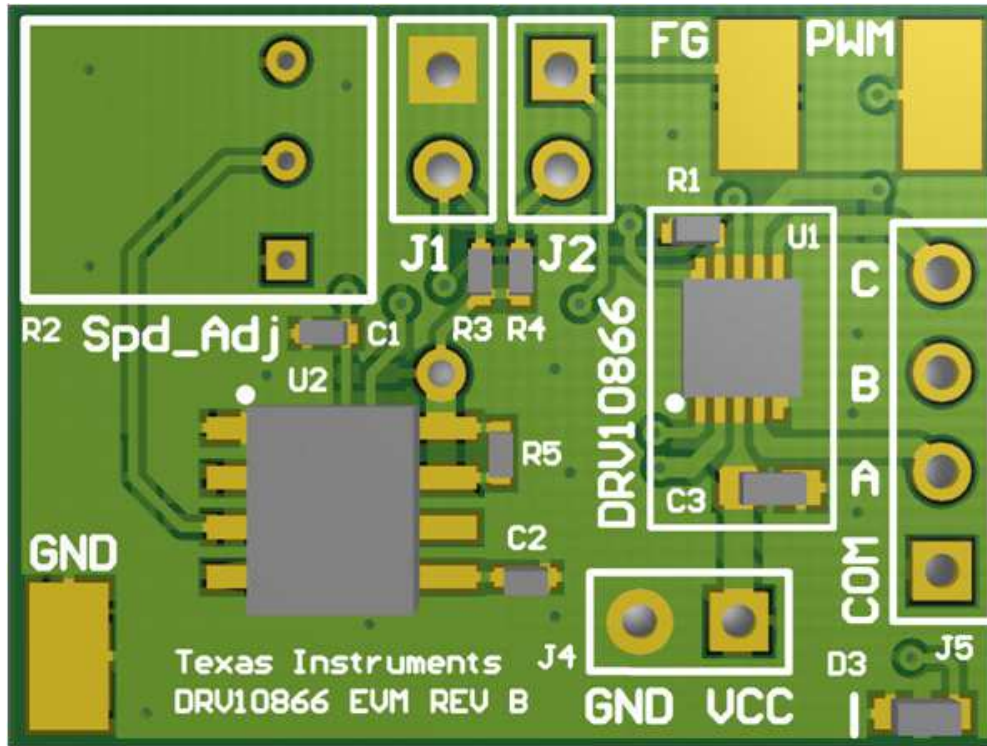


Figure 1. Top 3D View

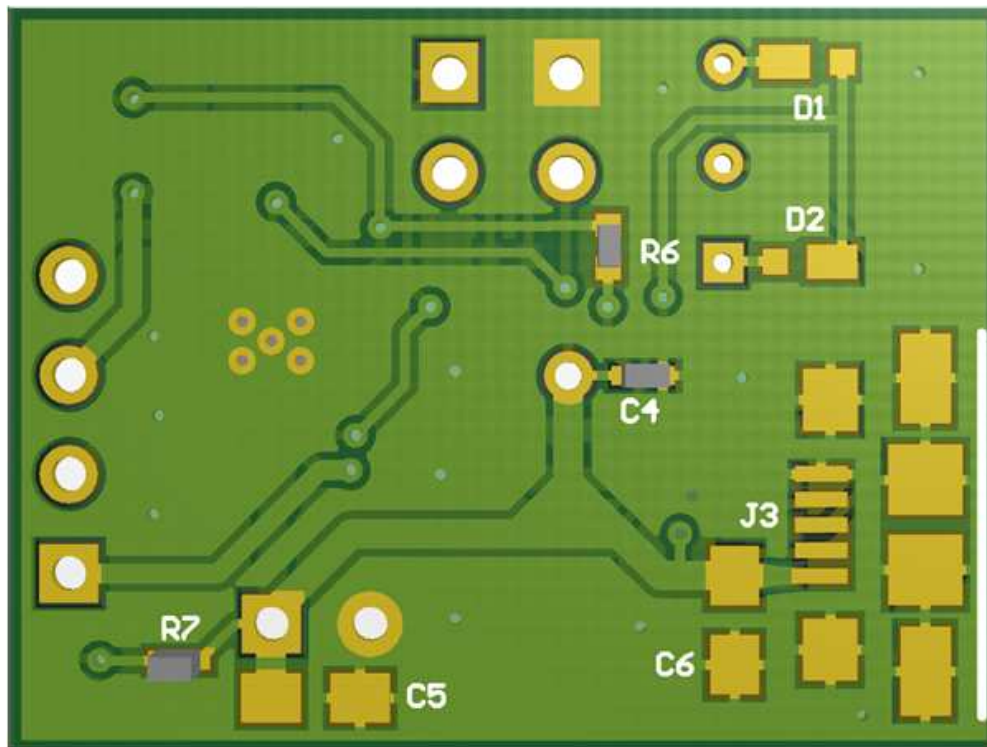


Figure 2. Bottom 3D View

2 INTRODUCTION

The DRV10866EVM is a complete solution for evaluating the DRV10866 5-V, three-phase sensorless BLDC motor driver. It includes a TLC555 timer configured to supply a PWM to the DRV10866, a potentiometer to adjust the speed of the motor by varying the duty cycle of the PWM, a jumper on the FG pin to allow the use of an external pull up resistor, and a jumper on the FGS pin to set ½ or normal frequency output on the FG pin. Power can be provided with the included micro-USB cable for 5 V or externally provided, up to 5.5 V, through the power header. The PWN, FG, and GND signals are all brought out to surface mounted test points.

The DRV10866EVM is configured so that connections to only the motor and power supply are required.

2.1 Power Connectors

The DRV10866EVM uses a combination of headers and a USB input jack (on bottom side) for the application/monitoring of power. For the EVM, only a single power supply rail is necessary. Minimum recommended V_{IN} for the EVM is 2 V and maximum is 5.5 V. Please see the datasheet for the DRV10866 for complete voltage range information of the driver itself. When power is supplied to the board a green LED (D3) in the bottom right corner should enable.

The overcurrent threshold setup pin sets the current limit for the device and is connected to a 3.8-k Ω resistor (R6) on the DRV10866EVM. This sets the current limit at 820 mA for the DRV10866. This resistor can be replaced and a new current limit set using the equation seen below. Please see the datasheet for the DRV10866 for more information on the overcurrent threshold setup pin.

$$I_{LIMIT} \text{ (mA)} = 3120/R_{CS} \text{ (k}\Omega\text{)} \quad (1)$$

VCC for the DRV10866 is directly taken off the micro USB jack supply or J4 power supply header. The J4 header is located on the top side of the EVM near the bottom right of the board as shown in Figure 3. The micro USB jack is located on the bottom side of the board as shown in Figure 4. The micro USB jack is only to supply power for the EVM and does not provide any additional functionality. Please choose only one method for providing power to the EVM.

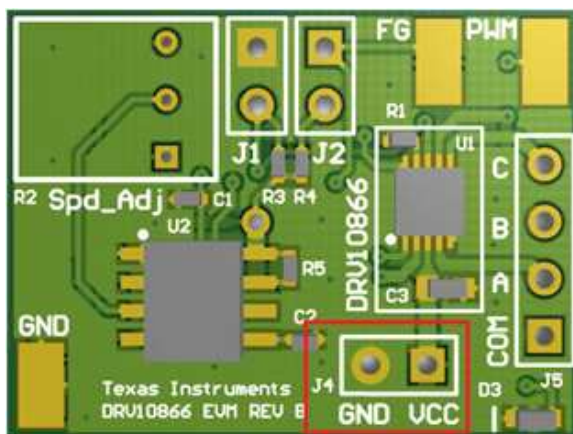


Figure 3. Top View (J4 Power Supply Header)

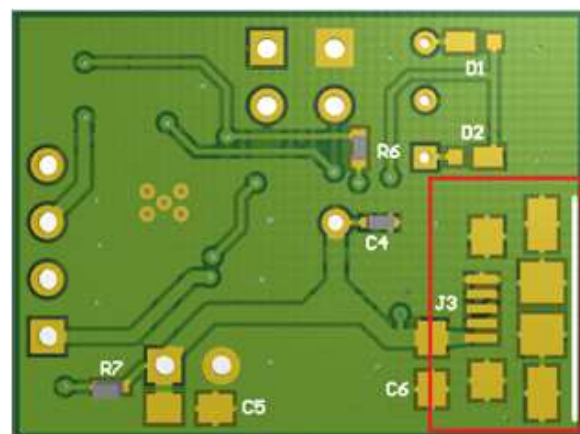


Figure 4. Bottom View (Micro USB Jack)

NOTE: It is only necessary to provide one source of power for the EVM. DO NOT connect to both the micro USB jack and the J4 power supply header.

2.2 Test Points

Test points are provided and labeled according to the inputs/outputs of the DRV10866 motor driver. The signals brought out to test points are labeled “FG”, “PWM”, and “GND”. The signal “PWM” is generated by circuitry on the EVM. In order to provide your own PWM signal to the motor driver, remove the 0- Ω resistor (R6) and connect your own PWM signal to the “PWM” test point. The “PWM” signal generated by the circuitry on the EVM is approximately 25 kHz and can be adjusted from 5% to 95% duty cycle by the potentiometer (R1) located on the EVM.

The FG signal's frequency represents the motor speed and phase information.

$$\text{RPM} = (\text{FG} \times 60) / \text{pole pairs}$$

(2)

Please refer to the datasheet of the DRV10866 for more information regarding the FG pin.

2.3 Jumpers

There are two jumpers (J1 and J2) on the EVM that are normally installed.

One jumper connects the FG pin of the DRV10866 to a pull up resistor and the other jumper determines whether FG is ½ or normal frequency output by connecting FGS to either VCC or GND.

For normal operation right out of the box both jumpers should be installed.

2.3.1 FGS Frequency Generator Select (J1) Jumper

J1 can be found in the image below, [Figure 5](#). Installing the jumper connects the FGS pin on the DRV10866 to GND. When the FGS pin is tied to GND, the FG output of the DRV10866 is set for normal frequency output. With the jumper out, the FGS pin pulls up to VCC. When the FGS pin is tied to VCC, the FG output of the DRV10866 is set for ½ of the original FG frequency. FGS is latched upon power to the EVM so power must be cycled in order for the FG output to change.

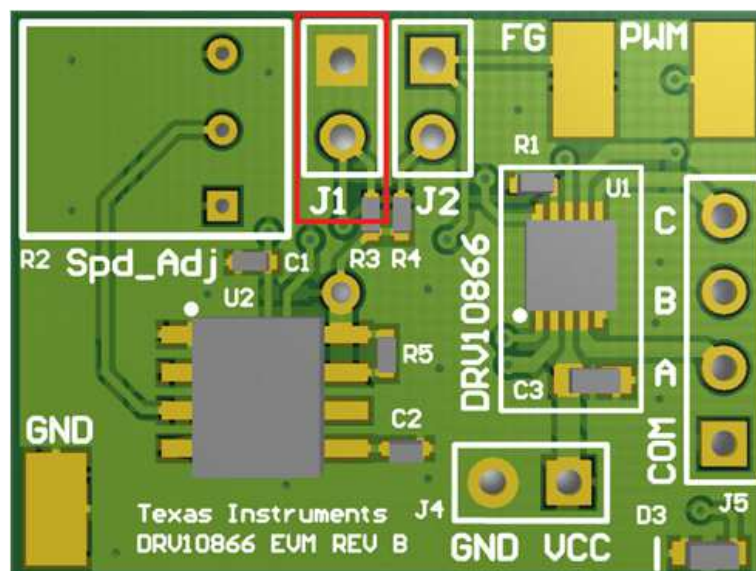


Figure 5. J1 Location

2.3.2 FG Pull Up (J2) Jumper

JP2 can be found in [Figure 6](#). Installing the jumper will connect the FG pin of the DRV10866 to an on board pull up resistor.

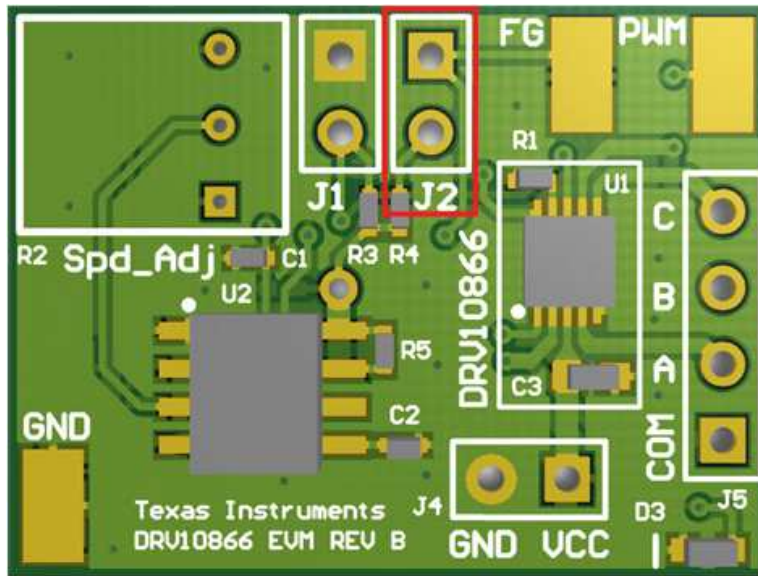


Figure 6. J2 Location

To make an external connection to FG, the jumper can be removed and pin 1 of the header provides a direct connection to the FG pin of the DRV10866. Pin 1 of J2 is highlighted in the image below, [Figure 7](#). Note that if the jumper is removed, an external pull up resistor is needed for connection of FG to an external system. For more information regarding the FG pin please refer to the datasheet of the DRV10866.

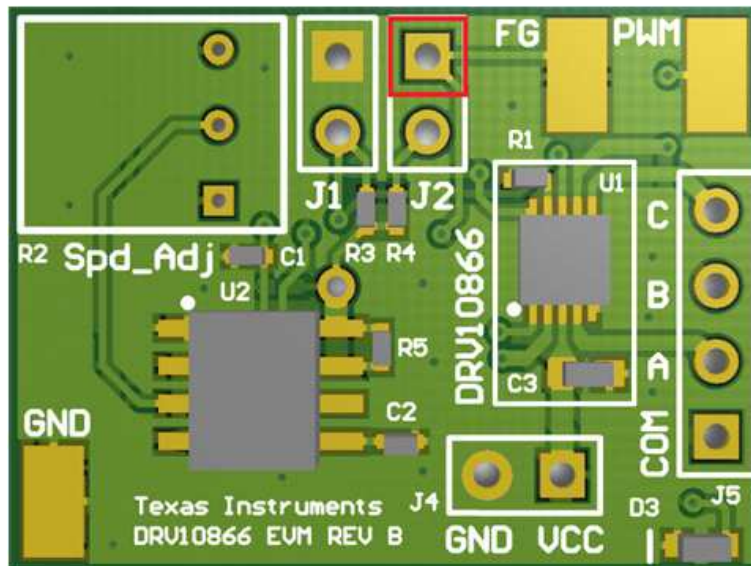


Figure 7. Pin 1 of J2

2.4 Speed Adjust Potentiometer (R1)

The speed adjust potentiometer (Spd_Adj) can be found in [Figure 8](#). The potentiometer adjusts the duty cycle of the PWM signal which will in turn adjust the speed of the motor. In order to lower the duty cycle and in turn lower the speed, turn the potentiometer counter-clockwise. In order to increase the duty cycle and in turn increase the speed, turn the potentiometer clockwise.

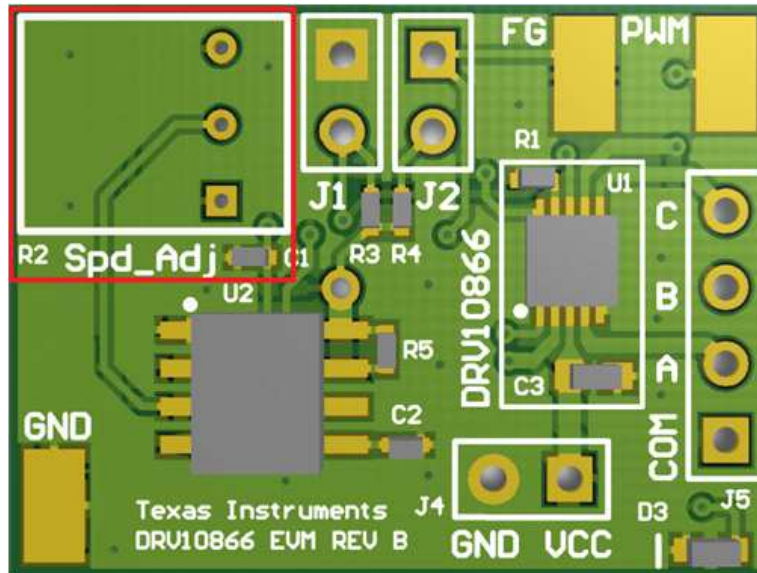


Figure 8. Speed Adjust Potentiometer

The onboard PWM signal for the DRV10866 is generated by a circuit based upon the Texas Instruments TLC555 low power timer. It is capable of an approximately 25-kHz output that can be adjusted from 5% to 95% duty cycle. This square output signal will switch from 0 V to VCC.

In order to provide an external PWM signal to the DRV10866, first remove the 0-Ω resistor (R6). Next, connect the external PWM signal to the “PWM” surface mounted test point. For more information on the PWM input required by the DRV10866 please refer to the datasheet.

2.5 Motor Outputs

Connect a three-phase 5-V BLDC motor to pins A, B, C, and COM of the header J5. Polarity is not critical for A, B, and C. If you wish to rotate the motor in the opposite direction switch two out of the three wires to A, B, and C. The motor outputs are located on J5 as shown in [Figure 9](#).

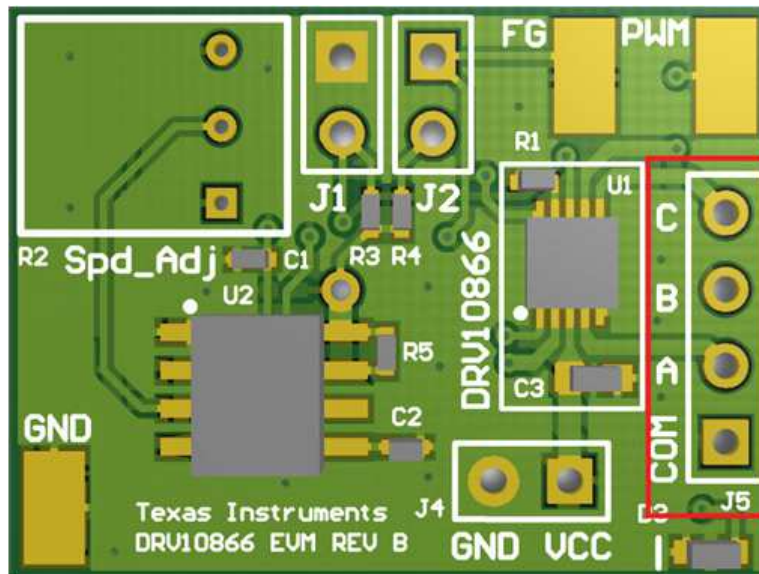


Figure 9. Motor Outputs

2.6 Operation of the EVM

1. Connect the included 5-V, three-phase BLDC motor to pins A, B, C, and COM of J5. The COM connector on the included motor is colored black. [Figure 10](#) shows an image of the motor with a red mark next to the black wire for the COM connection.
2. Adjust the “Spd_Adj” potentiometer R2 to minimum voltage by turning it all the way counter-clockwise. This will minimize the motor speed.
3. Apply power to the J4 header or with external USB cable plugged into a computer USB jack. **DO NOT** connect to both the micro USB jack and the J4 power supply header.
4. Adjust the “Spd_Adj” potentiometer clockwise towards the motor outputs to increase speed and the motor will start to turn. Continue adjusting as desired.
5. To change direction, switch two out of the three wires to A, B, and C.



Figure 10. COM Connection

3 SCHEMATIC AND BILL OF MATERIALS

The following pages contain the DRV10866EVM schematic and bill of materials.

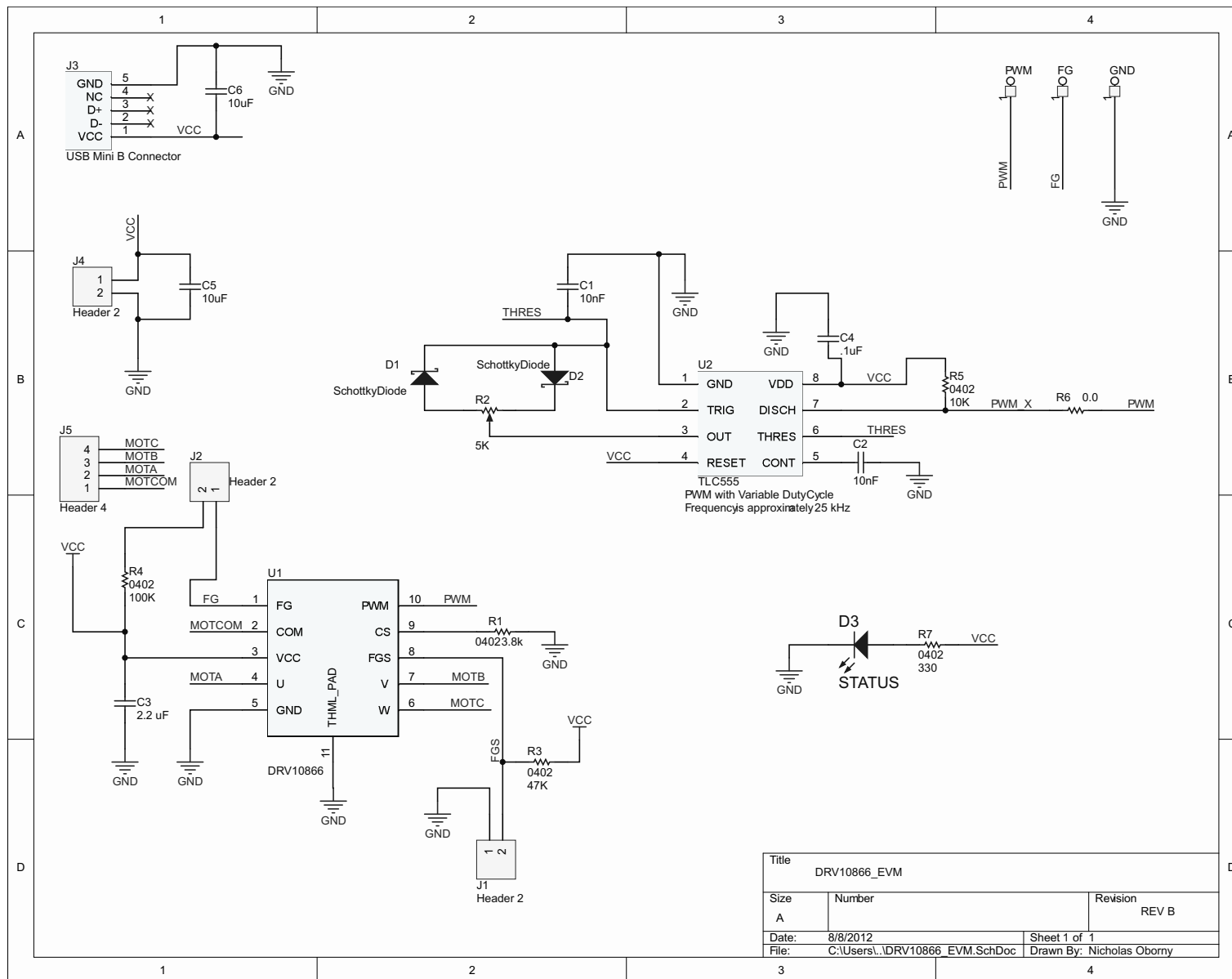


Figure 11. DRV10866EVM Schematic

Table 1. DRV10866EVM Bill of Materials

Item No.	Qty	Designator	Vendor	Vendor Part #	Manufacturer	Part No.	Description
1	1	C3	DigiKey	587-2909-1-ND	Taiyo Yuden	TMK107ABJ225KA-T	CAP CER 2.2UF 25V 10% X5R 0603
2	1	C4	DigiKey	490-3261-1-ND	Murata Electronics North America	GRM155R71C104KA88D	CAP CER 0.1UF 16V 10% X7R 0402
3	1	D3	DigiKey	754-1116-1-ND	Stanley Electric & Co	HBR1105W-TR	LED 1.6X0.8MM 570NM GRN CLR SMD
4	1	J3	DigiKey	A97799CT-ND	TE Connectivity	1981584-1	CONN RCPT MICRO USB TYPE AB
5	1	J5	DigiKey	3M9449-ND	3M	961104-6404-AR	CONN HEADER VERT SGL 4POS GOLD
6	1	R1	DigiKey	P3.83KLCT-ND	Panasonic - ECG	ERJ-2RKF3831X	RES 3.83K OHM 1/10W 1% 0402 SMD
7	1	R2	DigiKey	3352T-502LF-ND	Bourns Inc.	3352T-1-502LF	POT 5.0K OHM THUMBWHEEL CERM ST
8	1	R3	DigiKey	P47KJCT-ND	Panasonic - ECG	ERJ-2GEJ473X	RES 47K OHM 1/10W 5% 0402 SMD
9	1	R4	DigiKey	P100KJCT-ND	Panasonic - ECG	ERJ-2GEJ104X	RES 100K OHM 1/10W 5% 0402 SMD
10	1	R5	DigiKey	P10KJCT-ND	Panasonic - ECG	ERJ-2GEJ103X	RES 10K OHM 1/10W 5% 0402 SMD
11	1	R6	DigiKey	311-0.0JRCT-ND	Yageo	RC0402JR-070RL	RES 0.0 OHM 1/16W 0402 SMD
12	1	R7	DigiKey	P330JCT-ND	Panasonic - ECG	ERJ-2GEJ331X	RES 330 OHM 1/10W 5% 0402 SMD
13	1	U1	Supplied	Supplied	Texas Instruments	Supplied	5-V, Three-Phase Sensorless BLDC Motor Driver
14	1	U2	DigiKey	296-10341-1-ND	Texas Instruments	TLC555QDR	IC OSC MONO TIMING 2.1MHZ 8-SOIC
15	2	C1, C2	DigiKey	445-1260-1-ND	TDK Corporation	C1005X7R1E103K	CAP CER 10000PF 25V 10% X7R 0402
16	2	C5, C6	DigiKey	445-7645-1-ND	TDK Corporation	C2012X5R1C106M/0.85	CAP CER 10UF 16V 20% X5R 0805
17	2	D1, D2	DigiKey	MSS1P4-M3/89AGICT-ND	Vishay General Semiconductor	MSS1P4-M3/89A	DIODE SCHOTTKY 1A 40V MICRO SMT
18	3	FG, GND, PWM	Mouser	534-5019	Keystone Electronics	5019	PC TEST POINT MINIATURE SMT
19	3	J1, J2, J4	DigiKey	3M9447-ND	3M	961102-6404-AR	CONN HEADER VERT SGL 2POS GOLD

EVALUATION BOARD/KIT/MODULE (EVM) ADDITIONAL TERMS

Texas Instruments (TI) provides the enclosed Evaluation Board/Kit/Module (EVM) under the following conditions:

The user assumes all responsibility and liability for proper and safe handling of the goods. Further, the user indemnifies TI from all claims arising from the handling or use of the goods.

Should this evaluation board/kit not meet the specifications indicated in the User's Guide, the board/kit may be returned within 30 days from the date of delivery for a full refund. THE FOREGOING LIMITED WARRANTY IS THE EXCLUSIVE WARRANTY MADE BY SELLER TO BUYER AND IS IN LIEU OF ALL OTHER WARRANTIES, EXPRESSED, IMPLIED, OR STATUTORY, INCLUDING ANY WARRANTY OF MERCHANTABILITY OR FITNESS FOR ANY PARTICULAR PURPOSE. EXCEPT TO THE EXTENT OF THE INDEMNITY SET FORTH ABOVE, NEITHER PARTY SHALL BE LIABLE TO THE OTHER FOR ANY INDIRECT, SPECIAL, INCIDENTAL, OR CONSEQUENTIAL DAMAGES.

Please read the User's Guide and, specifically, the Warnings and Restrictions notice in the User's Guide prior to handling the product. This notice contains important safety information about temperatures and voltages. For additional information on TI's environmental and/or safety programs, please visit www.ti.com/esh or contact TI.

No license is granted under any patent right or other intellectual property right of TI covering or relating to any machine, process, or combination in which such TI products or services might be or are used. TI currently deals with a variety of customers for products, and therefore our arrangement with the user is not exclusive. TI assumes no liability for applications assistance, customer product design, software performance, or infringement of patents or services described herein.

REGULATORY COMPLIANCE INFORMATION

As noted in the EVM User's Guide and/or EVM itself, this EVM and/or accompanying hardware may or may not be subject to the Federal Communications Commission (FCC) and Industry Canada (IC) rules.

For EVMs **not** subject to the above rules, this evaluation board/kit/module is intended for use for ENGINEERING DEVELOPMENT, DEMONSTRATION OR EVALUATION PURPOSES ONLY and is not considered by TI to be a finished end product fit for general consumer use. It generates, uses, and can radiate radio frequency energy and has not been tested for compliance with the limits of computing devices pursuant to part 15 of FCC or ICES-003 rules, which are designed to provide reasonable protection against radio frequency interference. Operation of the equipment may cause interference with radio communications, in which case the user at his own expense will be required to take whatever measures may be required to correct this interference.

General Statement for EVMs including a radio

User Power/Frequency Use Obligations: This radio is intended for development/professional use only in legally allocated frequency and power limits. Any use of radio frequencies and/or power availability of this EVM and its development application(s) must comply with local laws governing radio spectrum allocation and power limits for this evaluation module. It is the user's sole responsibility to only operate this radio in legally acceptable frequency space and within legally mandated power limitations. Any exceptions to this are strictly prohibited and unauthorized by Texas Instruments unless user has obtained appropriate experimental/development licenses from local regulatory authorities, which is responsibility of user including its acceptable authorization.

For EVMs annotated as FCC – FEDERAL COMMUNICATIONS COMMISSION Part 15 Compliant

Caution

This device complies with part 15 of the FCC Rules. Operation is subject to the following two conditions: (1) This device may not cause harmful interference, and (2) this device must accept any interference received, including interference that may cause undesired operation.

Changes or modifications not expressly approved by the party responsible for compliance could void the user's authority to operate the equipment.

FCC Interference Statement for Class A EVM devices

This equipment has been tested and found to comply with the limits for a Class A digital device, pursuant to part 15 of the FCC Rules. These limits are designed to provide reasonable protection against harmful interference when the equipment is operated in a commercial environment. This equipment generates, uses, and can radiate radio frequency energy and, if not installed and used in accordance with the instruction manual, may cause harmful interference to radio communications. Operation of this equipment in a residential area is likely to cause harmful interference in which case the user will be required to correct the interference at his own expense.

FCC Interference Statement for Class B EVM devices

This equipment has been tested and found to comply with the limits for a Class B digital device, pursuant to part 15 of the FCC Rules. These limits are designed to provide reasonable protection against harmful interference in a residential installation. This equipment generates, uses and can radiate radio frequency energy and, if not installed and used in accordance with the instructions, may cause harmful interference to radio communications. However, there is no guarantee that interference will not occur in a particular installation. If this equipment does cause harmful interference to radio or television reception, which can be determined by turning the equipment off and on, the user is encouraged to try to correct the interference by one or more of the following measures:

- Reorient or relocate the receiving antenna.
- Increase the separation between the equipment and receiver.
- Connect the equipment into an outlet on a circuit different from that to which the receiver is connected.
- Consult the dealer or an experienced radio/TV technician for help.

For EVMs annotated as IC – INDUSTRY CANADA Compliant

This Class A or B digital apparatus complies with Canadian ICES-003.

Changes or modifications not expressly approved by the party responsible for compliance could void the user's authority to operate the equipment.

Concerning EVMs including radio transmitters

This device complies with Industry Canada licence-exempt RSS standard(s). Operation is subject to the following two conditions: (1) this device may not cause interference, and (2) this device must accept any interference, including interference that may cause undesired operation of the device.

Concerning EVMs including detachable antennas

Under Industry Canada regulations, this radio transmitter may only operate using an antenna of a type and maximum (or lesser) gain approved for the transmitter by Industry Canada. To reduce potential radio interference to other users, the antenna type and its gain should be so chosen that the equivalent isotropically radiated power (e.i.r.p.) is not more than that necessary for successful communication.

This radio transmitter has been approved by Industry Canada to operate with the antenna types listed in the user guide with the maximum permissible gain and required antenna impedance for each antenna type indicated. Antenna types not included in this list, having a gain greater than the maximum gain indicated for that type, are strictly prohibited for use with this device.

Cet appareil numérique de la classe A ou B est conforme à la norme NMB-003 du Canada.

Les changements ou les modifications pas expressément approuvés par la partie responsable de la conformité ont pu vider l'autorité de l'utilisateur pour actionner l'équipement.

Concernant les EVMs avec appareils radio

Le présent appareil est conforme aux CNR d'Industrie Canada applicables aux appareils radio exempts de licence. L'exploitation est autorisée aux deux conditions suivantes : (1) l'appareil ne doit pas produire de brouillage, et (2) l'utilisateur de l'appareil doit accepter tout brouillage radioélectrique subi, même si le brouillage est susceptible d'en compromettre le fonctionnement.

Concernant les EVMs avec antennes détachables

Conformément à la réglementation d'Industrie Canada, le présent émetteur radio peut fonctionner avec une antenne d'un type et d'un gain maximal (ou inférieur) approuvé pour l'émetteur par Industrie Canada. Dans le but de réduire les risques de brouillage radioélectrique à l'intention des autres utilisateurs, il faut choisir le type d'antenne et son gain de sorte que la puissance isotrope rayonnée équivalente (p.i.r.e.) ne dépasse pas l'intensité nécessaire à l'établissement d'une communication satisfaisante.

Le présent émetteur radio a été approuvé par Industrie Canada pour fonctionner avec les types d'antenne énumérés dans le manuel d'usage et ayant un gain admissible maximal et l'impédance requise pour chaque type d'antenne. Les types d'antenne non inclus dans cette liste, ou dont le gain est supérieur au gain maximal indiqué, sont strictement interdits pour l'exploitation de l'émetteur.

【Important Notice for Users of this Product in Japan】

This development kit is NOT certified as Confirming to Technical Regulations of Radio Law of Japan

If you use this product in Japan, you are required by Radio Law of Japan to follow the instructions below with respect to this product:

1. Use this product in a shielded room or any other test facility as defined in the notification #173 issued by Ministry of Internal Affairs and Communications on March 28, 2006, based on Sub-section 1.1 of Article 6 of the Ministry's Rule for Enforcement of Radio Law of Japan,
2. Use this product only after you obtained the license of Test Radio Station as provided in Radio Law of Japan with respect to this product, or
3. Use of this product only after you obtained the Technical Regulations Conformity Certification as provided in Radio Law of Japan with respect to this product. Also, please do not transfer this product, unless you give the same notice above to the transferee. Please note that if you could not follow the instructions above, you will be subject to penalties of Radio Law of Japan.

Texas Instruments Japan Limited
(address) 24-1, Nishi-Shinjuku 6 chome, Shinjuku-ku, Tokyo, Japan

<http://www.tij.co.jp>

【ご使用にあたっての注】

本開発キットは技術基準適合証明を受けておりません。

本製品のご使用に際しては、電波法遵守のため、以下のいずれかの措置を取っていただく必要がありますのでご注意ください。

1. 電波法施行規則第6条第1項第1号に基づく平成18年3月28日総務省告示第173号で定められた電波暗室等の試験設備でご使用いただく。
2. 実験局の免許を取得後ご使用いただく。
3. 技術基準適合証明を取得後ご使用いただく。

なお、本製品は、上記の「ご使用にあたっての注意」を譲渡先、移転先に通知しない限り、譲渡、移転できないものとします。

上記を遵守頂けない場合は、電波法の罰則が適用される可能性があることをご留意ください。

日本テキサス・インスツルメンツ株式会社
東京都新宿区西新宿6丁目24番1号
西新宿三井ビル

<http://www.tij.co.jp>

EVALUATION BOARD/KIT/MODULE (EVM) WARNINGS, RESTRICTIONS AND DISCLAIMERS

For Feasibility Evaluation Only, in Laboratory/Development Environments. Unless otherwise indicated, this EVM is not a finished electrical equipment and not intended for consumer use. It is intended solely for use for preliminary feasibility evaluation in laboratory/development environments by technically qualified electronics experts who are familiar with the dangers and application risks associated with handling electrical mechanical components, systems and subsystems. It should not be used as all or part of a finished end product.

Your Sole Responsibility and Risk. You acknowledge, represent and agree that:

1. You have unique knowledge concerning Federal, State and local regulatory requirements (including but not limited to Food and Drug Administration regulations, if applicable) which relate to your products and which relate to your use (and/or that of your employees, affiliates, contractors or designees) of the EVM for evaluation, testing and other purposes.
2. You have full and exclusive responsibility to assure the safety and compliance of your products with all such laws and other applicable regulatory requirements, and also to assure the safety of any activities to be conducted by you and/or your employees, affiliates, contractors or designees, using the EVM. Further, you are responsible to assure that any interfaces (electronic and/or mechanical) between the EVM and any human body are designed with suitable isolation and means to safely limit accessible leakage currents to minimize the risk of electrical shock hazard.
3. You will employ reasonable safeguards to ensure that your use of the EVM will not result in any property damage, injury or death, even if the EVM should fail to perform as described or expected.
4. You will take care of proper disposal and recycling of the EVM's electronic components and packing materials.

Certain Instructions. It is important to operate this EVM within TI's recommended specifications and environmental considerations per the user guidelines. Exceeding the specified EVM ratings (including but not limited to input and output voltage, current, power, and environmental ranges) may cause property damage, personal injury or death. If there are questions concerning these ratings please contact a TI field representative prior to connecting interface electronics including input power and intended loads. Any loads applied outside of the specified output range may result in unintended and/or inaccurate operation and/or possible permanent damage to the EVM and/or interface electronics. Please consult the EVM User's Guide prior to connecting any load to the EVM output. If there is uncertainty as to the load specification, please contact a TI field representative. During normal operation, some circuit components may have case temperatures greater than 60°C as long as the input and output are maintained at a normal ambient operating temperature. These components include but are not limited to linear regulators, switching transistors, pass transistors, and current sense resistors which can be identified using the EVM schematic located in the EVM User's Guide. When placing measurement probes near these devices during normal operation, please be aware that these devices may be very warm to the touch. As with all electronic evaluation tools, only qualified personnel knowledgeable in electronic measurement and diagnostics normally found in development environments should use these EVMs.

Agreement to Defend, Indemnify and Hold Harmless. You agree to defend, indemnify and hold TI, its licensors and their representatives harmless from and against any and all claims, damages, losses, expenses, costs and liabilities (collectively, "Claims") arising out of or in connection with any use of the EVM that is not in accordance with the terms of the agreement. This obligation shall apply whether Claims arise under law of tort or contract or any other legal theory, and even if the EVM fails to perform as described or expected.

Safety-Critical or Life-Critical Applications. If you intend to evaluate the components for possible use in safety critical applications (such as life support) where a failure of the TI product would reasonably be expected to cause severe personal injury or death, such as devices which are classified as FDA Class III or similar classification, then you must specifically notify TI of such intent and enter into a separate Assurance and Indemnity Agreement.

Mailing Address: Texas Instruments, Post Office Box 655303, Dallas, Texas 75265
Copyright © 2012, Texas Instruments Incorporated

IMPORTANT NOTICE

Texas Instruments Incorporated and its subsidiaries (TI) reserve the right to make corrections, enhancements, improvements and other changes to its semiconductor products and services per JESD46, latest issue, and to discontinue any product or service per JESD48, latest issue. Buyers should obtain the latest relevant information before placing orders and should verify that such information is current and complete. All semiconductor products (also referred to herein as "components") are sold subject to TI's terms and conditions of sale supplied at the time of order acknowledgment.

TI warrants performance of its components to the specifications applicable at the time of sale, in accordance with the warranty in TI's terms and conditions of sale of semiconductor products. Testing and other quality control techniques are used to the extent TI deems necessary to support this warranty. Except where mandated by applicable law, testing of all parameters of each component is not necessarily performed.

TI assumes no liability for applications assistance or the design of Buyers' products. Buyers are responsible for their products and applications using TI components. To minimize the risks associated with Buyers' products and applications, Buyers should provide adequate design and operating safeguards.

TI does not warrant or represent that any license, either express or implied, is granted under any patent right, copyright, mask work right, or other intellectual property right relating to any combination, machine, or process in which TI components or services are used. Information published by TI regarding third-party products or services does not constitute a license to use such products or services or a warranty or endorsement thereof. Use of such information may require a license from a third party under the patents or other intellectual property of the third party, or a license from TI under the patents or other intellectual property of TI.

Reproduction of significant portions of TI information in TI data books or data sheets is permissible only if reproduction is without alteration and is accompanied by all associated warranties, conditions, limitations, and notices. TI is not responsible or liable for such altered documentation. Information of third parties may be subject to additional restrictions.

Resale of TI components or services with statements different from or beyond the parameters stated by TI for that component or service voids all express and any implied warranties for the associated TI component or service and is an unfair and deceptive business practice. TI is not responsible or liable for any such statements.

Buyer acknowledges and agrees that it is solely responsible for compliance with all legal, regulatory and safety-related requirements concerning its products, and any use of TI components in its applications, notwithstanding any applications-related information or support that may be provided by TI. Buyer represents and agrees that it has all the necessary expertise to create and implement safeguards which anticipate dangerous consequences of failures, monitor failures and their consequences, lessen the likelihood of failures that might cause harm and take appropriate remedial actions. Buyer will fully indemnify TI and its representatives against any damages arising out of the use of any TI components in safety-critical applications.

In some cases, TI components may be promoted specifically to facilitate safety-related applications. With such components, TI's goal is to help enable customers to design and create their own end-product solutions that meet applicable functional safety standards and requirements. Nonetheless, such components are subject to these terms.

No TI components are authorized for use in FDA Class III (or similar life-critical medical equipment) unless authorized officers of the parties have executed a special agreement specifically governing such use.

Only those TI components which TI has specifically designated as military grade or "enhanced plastic" are designed and intended for use in military/aerospace applications or environments. Buyer acknowledges and agrees that any military or aerospace use of TI components which have **not** been so designated is solely at the Buyer's risk, and that Buyer is solely responsible for compliance with all legal and regulatory requirements in connection with such use.

TI has specifically designated certain components as meeting ISO/TS16949 requirements, mainly for automotive use. In any case of use of non-designated products, TI will not be responsible for any failure to meet ISO/TS16949.

Products

Audio	www.ti.com/audio
Amplifiers	amplifier.ti.com
Data Converters	dataconverter.ti.com
DLP® Products	www.dlp.com
DSP	dsp.ti.com
Clocks and Timers	www.ti.com/clocks
Interface	interface.ti.com
Logic	logic.ti.com
Power Mgmt	power.ti.com
Microcontrollers	microcontroller.ti.com
RFID	www.ti-rfid.com
OMAP Applications Processors	www.ti.com/omap
Wireless Connectivity	www.ti.com/wirelessconnectivity

Applications

Automotive and Transportation	www.ti.com/automotive
Communications and Telecom	www.ti.com/communications
Computers and Peripherals	www.ti.com/computers
Consumer Electronics	www.ti.com/consumer-apps
Energy and Lighting	www.ti.com/energy
Industrial	www.ti.com/industrial
Medical	www.ti.com/medical
Security	www.ti.com/security
Space, Avionics and Defense	www.ti.com/space-avionics-defense
Video and Imaging	www.ti.com/video

TI E2E Community

e2e.ti.com