

ALL COMPONENTS WITHIN DASHED LINES ARE REMOVED FOR SU250

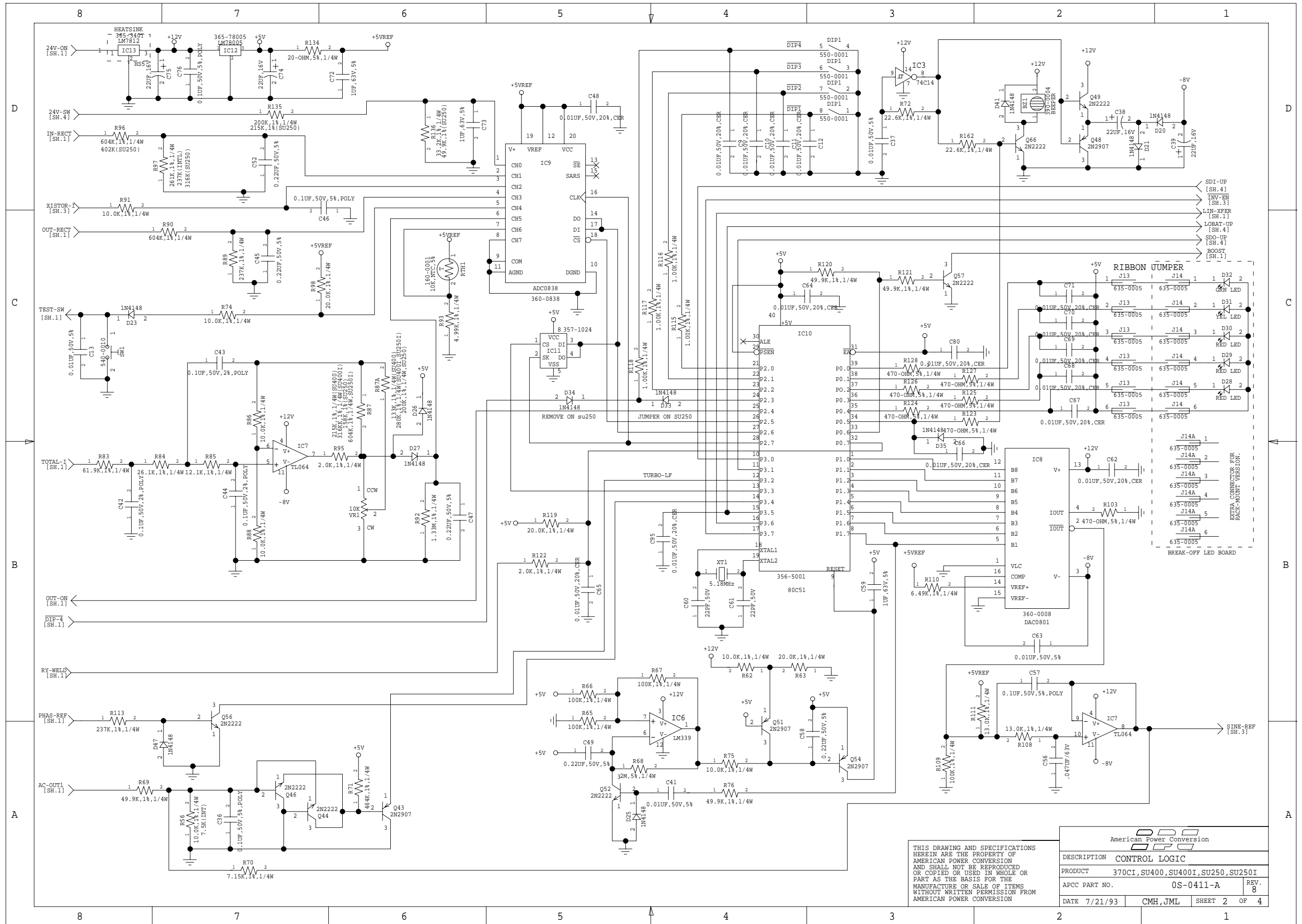
OUTLINED COMPONENTS ARE FOR 230V MODELS ONLY.

PARTS OUTLINED ARE EXCLUDED IN THE 230/240V MODELS

REAR PANEL SITEWIRE FAULT INDICATOR

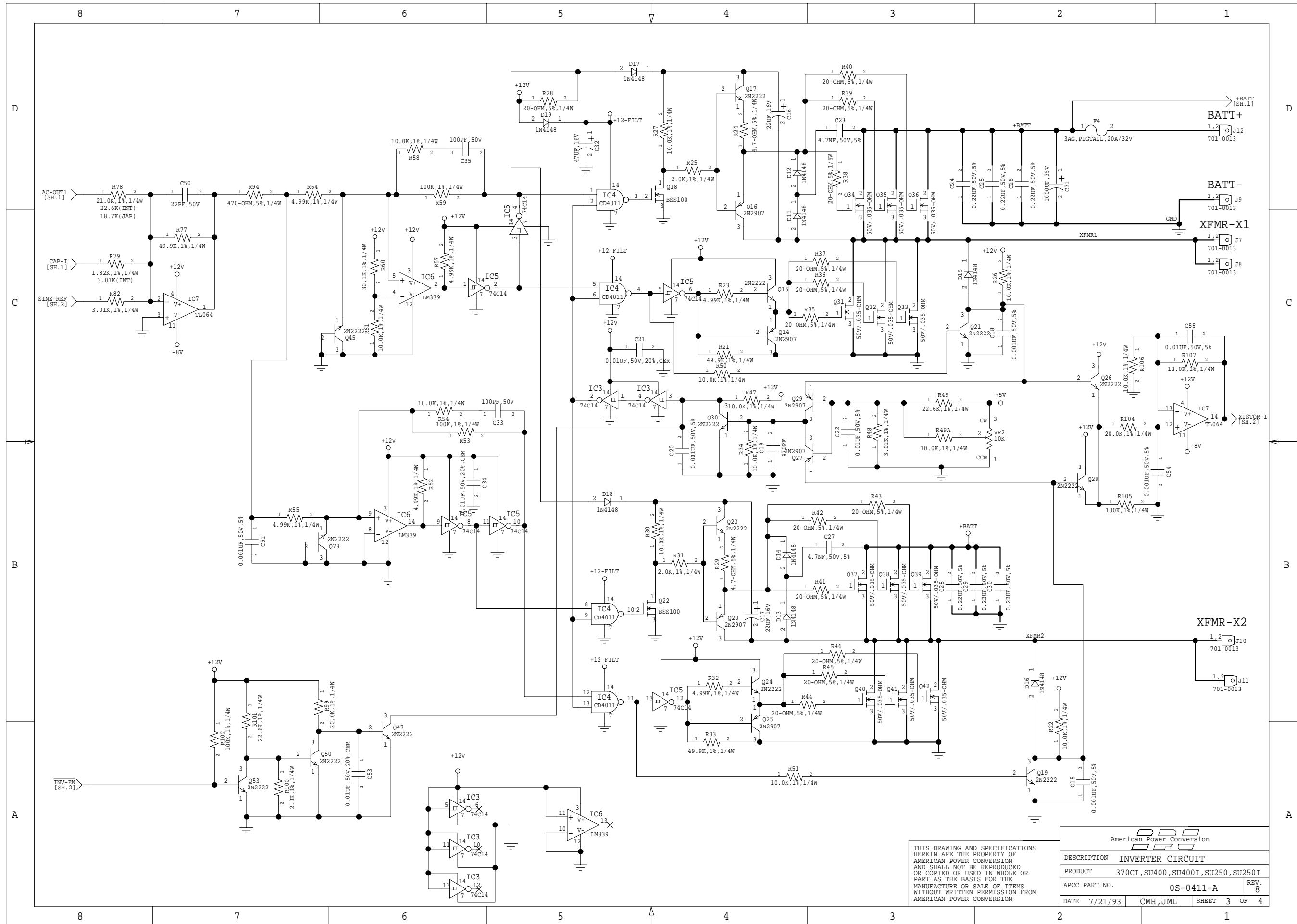
THIS DRAWING AND SPECIFICATIONS HEREIN ARE THE PROPERTY OF AMERICAN POWER CONVERSION AND SHALL NOT BE REPRODUCED OR COPIED OR USED IN WHOLE OR PART AS THE BASIS FOR THE MANUFACTURE OR SALE OF ITEMS WITHOUT WRITTEN PERMISSION FROM AMERICAN POWER CONVERSION

SCH. REV.	PCB REV.	ECO#	PAGE (ZONE)	DESCRIPTION	DATE	APPRVL
REVISION STATUS						
PCB DESIGNER	C _H	DATE	American Power Conversion			
ENGINEER	C _H	DATE	DESCRIPTION AC & TURN-ON CIRCUITS			
CHECKED		DATE	PRODUCT 370CI, SU400, SU400I, SU250, SU250I			
DWG FILE:	E411-08.SCH		APCC PART NO.	0S-411-A	REV.	8
		DATE:	7/21/93		SHEET 1 OF 4	



THIS DRAWING AND SPECIFICATIONS
HEREIN ARE THE PROPERTY OF
AMERICAN POWER CONVERSION
AND SHALL NOT BE REPRODUCED
OR COPIED OR USED IN WHOLE OR
PART AS THE BASIS FOR THE
MANUFACTURE OR SALE OF ITEMS
WITHOUT WRITTEN PERMISSION FROM
AMERICAN POWER CONVERSION

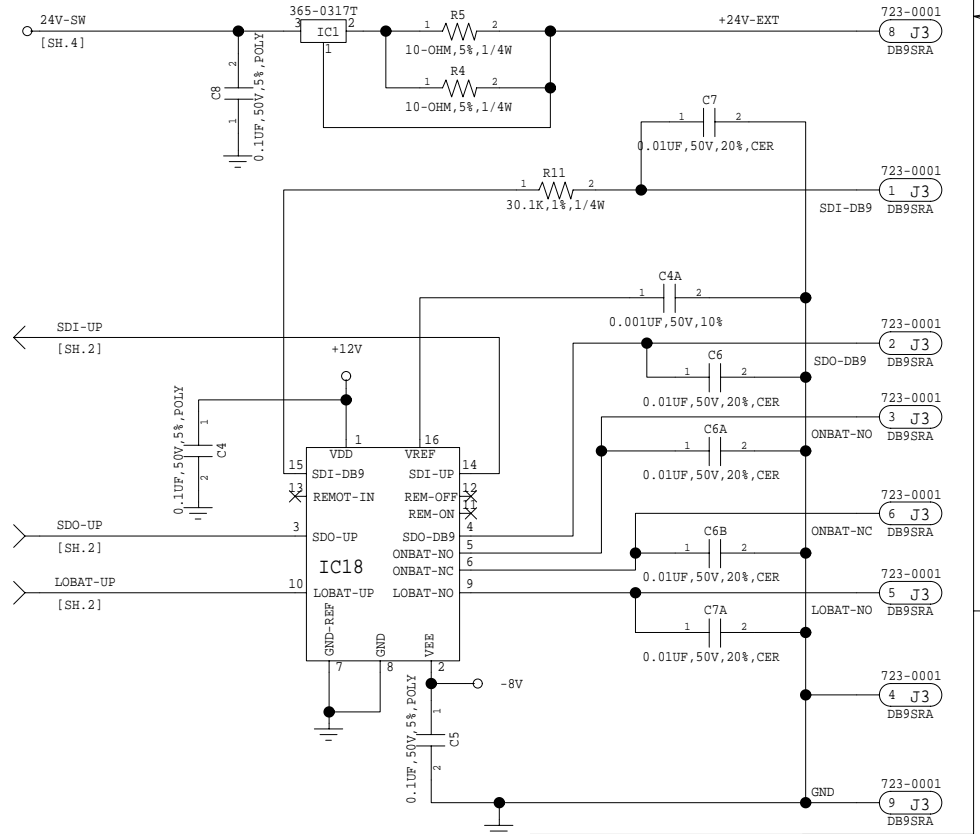
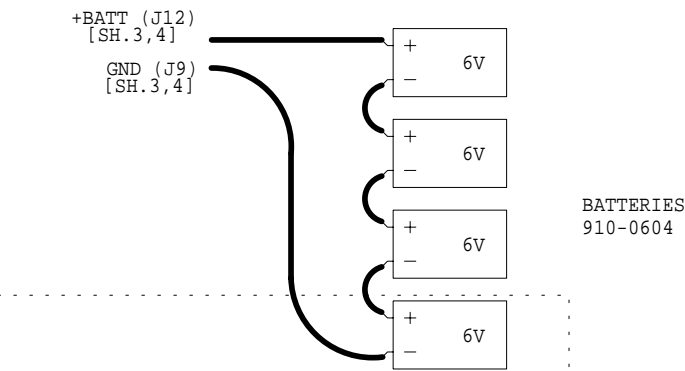
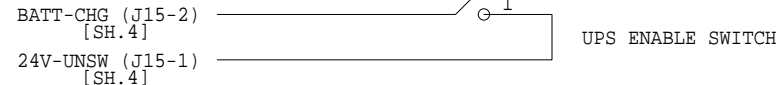
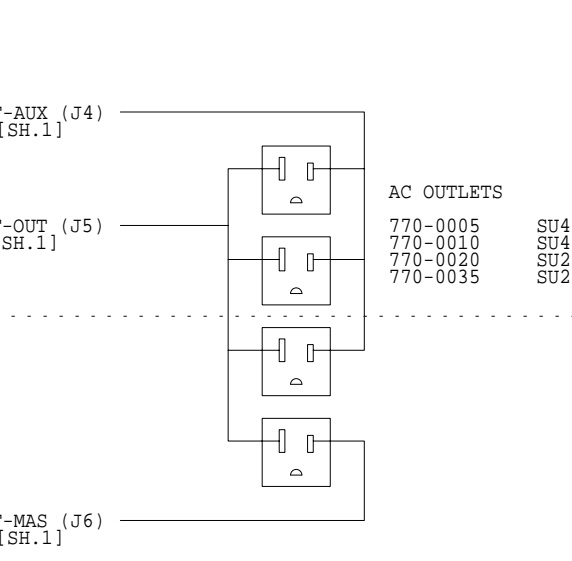
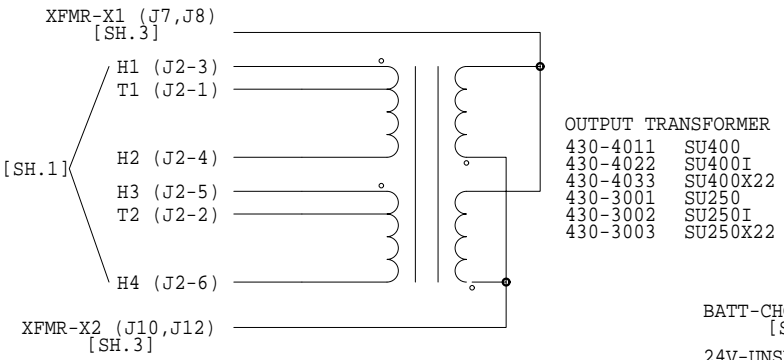
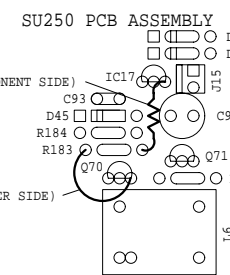
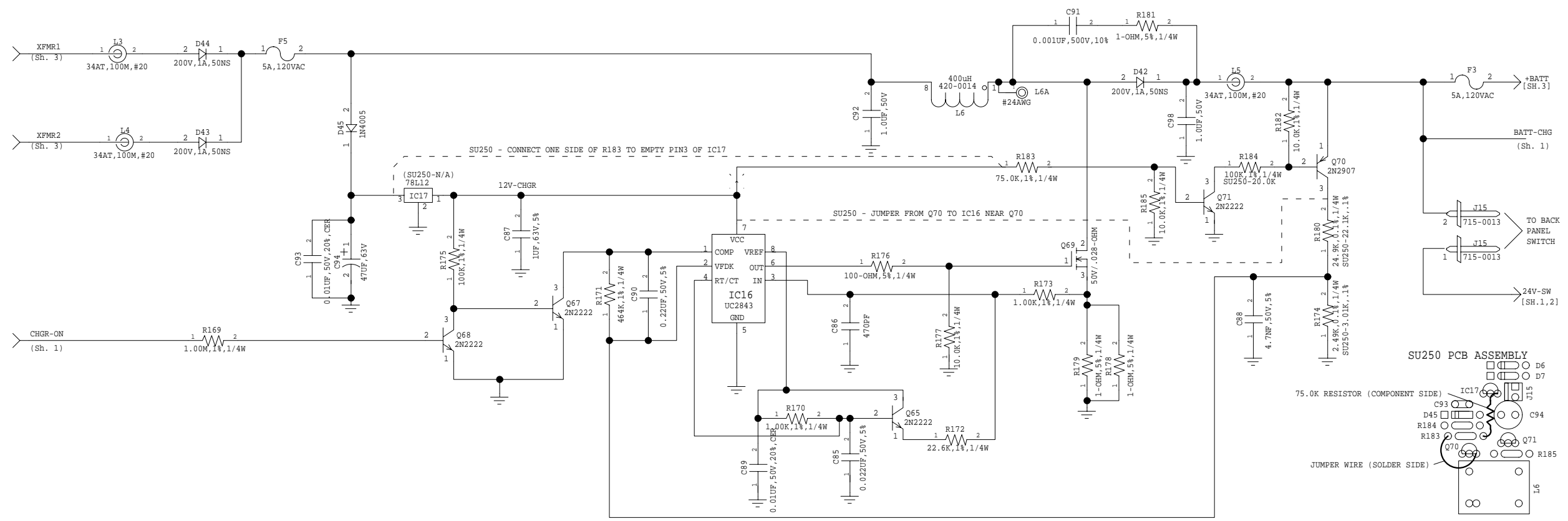
American Power Conversion	
DESCRIPTION	CONTROL LOGIC
PRODUCT	370CI, SU400, SU4001, SU250, SU2501
APCC PART NO.	OS-0411-A
DATE	7/21/93
CMH, JML	SHEET 2 OF 4
	REV. 8



THIS DRAWING AND SPECIFICATIONS
HEREIN ARE THE PROPERTY OF
AMERICAN POWER CONVERSION
AND SHALL NOT BE REPRODUCED
OR COPIED OR USED IN WHOLE OR
PART AS THE BASIS FOR THE
MANUFACTURE OR SALE OF ITEMS
WITHOUT WRITTEN PERMISSION FROM
AMERICAN POWER CONVERSION

American Power Conversion			
DESCRIPTION	INVERTER CIRCUIT		
PRODUCT	370CI, SU400, SU400I, SU250, SU250I		
APCC PART NO.	0S-0411-A		REV. 8
DATE	7/21/93	CMH, JML	SHEET 3 OF 4

8 7 6 5 4 3 2 1



THIS DRAWING AND SPECIFICATIONS HEREIN ARE THE PROPERTY OF AMERICAN POWER CONVERSION AND SHALL NOT BE REPRODUCED OR COPIED OR USED IN WHOLE OR PART AS THE BASIS FOR THE MANUFACTURE OR SALE OF ITEMS WITHOUT WRITTEN PERMISSION FROM AMERICAN POWER CONVERSION

American Power Conversion			
DESCRIPTION	CHARGER, SIGNALLING, MISC.		
PRODUCT	370CI, SU400, SU400I, SU250, SU250I		
APCC PART NO.	0S-0411-A	REV.	8
DATE	7/21/93	CMH, JML	SHEET 4 OF 4

8 7 6 5 4 3 2 1