

Saeco SUP 021 YR
INTERNATIONAL GROUP

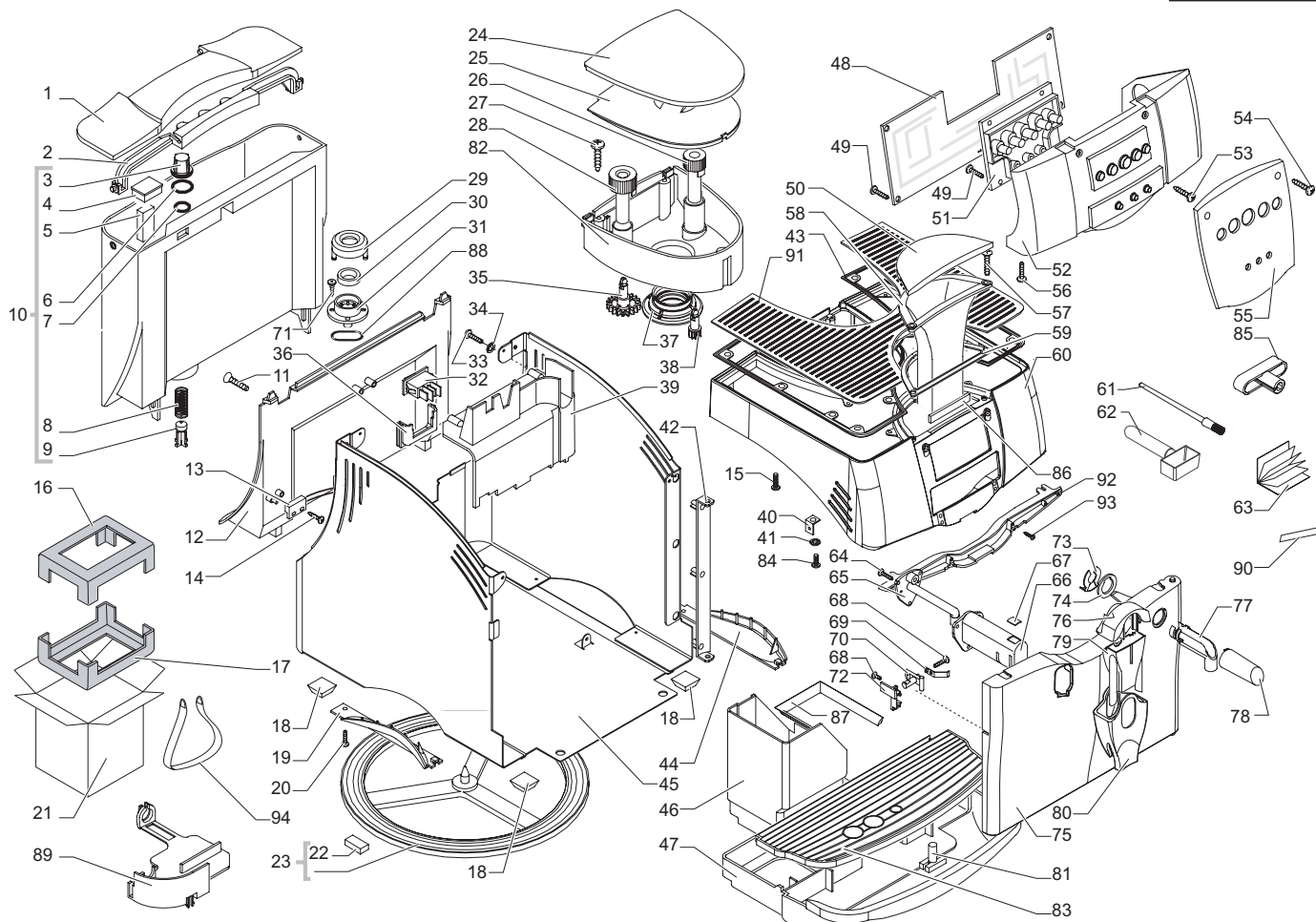
CE Cod. 7 4 08 04 - 06

POS	CODE	DESCRIPTION	NOTE	POS	CODE	DESCRIPTION	NOTE
01	222762841	WATER CONTAINER LID SMART SILVER		40	NE15.002	MALE TONGUE 90° 6,3 D.3,7	
02	146580950	BLACK KNOB WATER CONTAINER LID SMART		41	128310304	WASHER UNI 8842 A3 BURNISHED	
03	144650800	WATER TANK FILTER		42	222630150	BLACK DOOR HINGE SMART	
04	142844380	NAT/TRANSP.CAP FOR FLOATING SPACE M5000			222630141	SILVER DOOR HINGE SMART	
05	145500859	FLOAT FOR WATER CONT. GREY MAGIC		43	145852262	SILICONE SEAL FOR CUPWARMER SMART	
06	140328461	EPDM OR METRIC 0190-10		44	225920141	HANGRIP DX SMART SILVER	
07	140324362	OR METRIC 0060-30 IN SILICONE			225920107	HANGRIP DX SMART ANTHRACITE	
08	126764718	SPRING FOR WATER CONTAINER VALVE		45	222360441	SILVER CASING SMART	
09	147660562	GREY WATER VALVE CONTAINER PISTON		46	142602299	BLACK DUMP BOX SMART	
10	222692480	AS.WATER CONTAINER GREY/TRANS.SMART		47	229630841	SILVER DRIP TRAY SMART	
11	129562603	SCREW TSC B-PZ 2,9X9,5 UNI 6956 NIK			229630807	ANTHRACITE DRIP TRAY SMART	
12	149194650	SUPPORT WATER CONTAINER W/O LAMP HOUSING		48	181551158	TERMINAL BOARD FOR CA SMART-SV.230V	ALUMINIUM BOILER INOX BOILER
13	283551900	2 POLE LEVEL SENSOR AS.SMART	230V		181553258	TERMINAL BOARD FOR CA SMART-RP 230V	
	283551955	2 POLE LEVEL SENSOR AS.SMART	120V		181553255	TERMINAL BOARD FOR CA SMART-RP 120V	
14	129910921	SCREW TCB TORX 10 3X10 SS		49	129660302	PANELVIT TCB SCREW 3X10 DIN 7505 Z	
15	129573402	SCREW TAPT M4X10 DIN 7985 GALV		50	222762741	GROUND COFF.CONTEN.LID SMART SILVER	
16	175897200	TECHMATE UPPER INSERT FOR BOX SMART		51	281561300	TOUCH PANEL ELECTRON.BOARD AS.SMART	
17	175897300	TECHMATE LOWER INSERT FOR BOX SMART1		52	149194450	BLACK SUPPORT ELECTRONIC CARD SMART	
18	147623150	BLACK SQUARE ADHESIVE FOOT 5023		53	129660202	PANELVIT TCB SCREW 3X12 DIN 7505 Z	
19	225920241	HANGRIP SX SMART SILVER		54	129512904	SCREW TCB 2,9X12,7 DIN 7981 BURN	
	225920207	HANGRIP SX SMART ANTHRACITE		55	224884841	FRONT PANEL SILVER SMART S/S.INCANTO RS	
20	129511803	SCREW TCB 2,9X6,4 DIN 7981 NICK		56	129533202	SCREW TSP TORX T10 3,5X9,5 D7982 NI	
21	178507800	FLEXOGR.BOX 5COLORS SAEC.INCANTO SV		57	129532521	SCREW TSP2,9X9,5 DIN 7982 SS	
22	147623650	SQUARE ADHESIVE FOOT NB4256 BLACK		58	149260850	HOPPER BLACK GROUND COF.DOSE SMART	
23	220380259	ROTATING RING SMART WITH 3 FEET		59	145851950	GROUND COFFEE CONT.SEAL UPPER SMART	
24	222762641	BEAN COFF.CONTAIN.LID SMART SILVER		60	222811241	SILVER COVER W/OPEN SILK/SCREEN SMART	
25	142813879	TRANS/BLU LID SAFETY AROME CAF.CONT.SMART			222811207	ANTHR.COVER W/OPEN SIL/SCREEN SMART	
26	227721359	GREY COFFEE DOSE ADJUST.KNOB S/SCR.SMART		61	127390100	BRUSH FOR CLEANING	
27	129660202	PANELVIT TCB SCREW 3X12 DIN 7505 Z		62	146680850	BLACK COFFEE MEASURE SMART	
28	227721459	GRIND.ADJUSTM.GREY KNOB SMART S/SCR		63	225930300	INSTRUC.MANUAL SAECO SUP021YR EU AS	INTERNATIONAL CH RC
29	142844059	VALVE GASKET COVER GREY			225930301	INSTRUC.MANUAL SAECO SUP021YR CH AS	
30	145842900	WATER CONTAIN.VALVE SEAL GACO DIM14			225930304	INSTRUC.MANUAL SAECO SUP021YR UK AS	
31	149185359	VALVE SEAL SUPPORT GREY MAGIC		64	129910921	SCREW TCB TORX 10 3X10 SS	
32	NE03.028	SWITCH B1031C1181000W		65	149501050	BLACK COFFEE DISPENSING TUBE SMART	
33	129661204	SCREW PANELVIT TCB 3X16 DIN7505 BRU		66	229183041	SILVER COFF.DISPENSER.HEAD SUPP.SMART S/SCR	
34	128310321	WASHER UNI 8842 A3 SS		67	222762541	SILVER COFFEE DISPENSER SUPP.LID SMART	
35	146000850	GEAR COFF. GRIND. ADJUSTMENT COMBI		68	129511821	SCREW TCB 2,9X6,4 DIN 7981 SS	
36	149195150	BLACK SWITCH GENERAL SUPPORT SMART		69	126837421	SPRING DESENGAGE LEVER DOOR SMART	
37	145852360	BEAN COFFEE CONTAINER SEAL SMART		70	146313540	DISENGAGE LEVER GREY/SIL.DOOR SMART	
38	146001950	COFFEE DOSE ADJ.GEAR BLACK SMART		71	129535721	SCREW TSP TORX 10 3,5X9,5 SHEET SS	
39	147755800	INTERNAL CASING PROTECTION POWER CABLE		72	147572240	STOP PLATE LEVER DOOR GREY/SILV.SM.	

Saeco SUP 021 YR
INTERNATIONAL GROUP

Rev. 01 - 04/12/03

TABLE 1a/4



Saeco SUP 021 YR
INTERNATIONAL GROUP



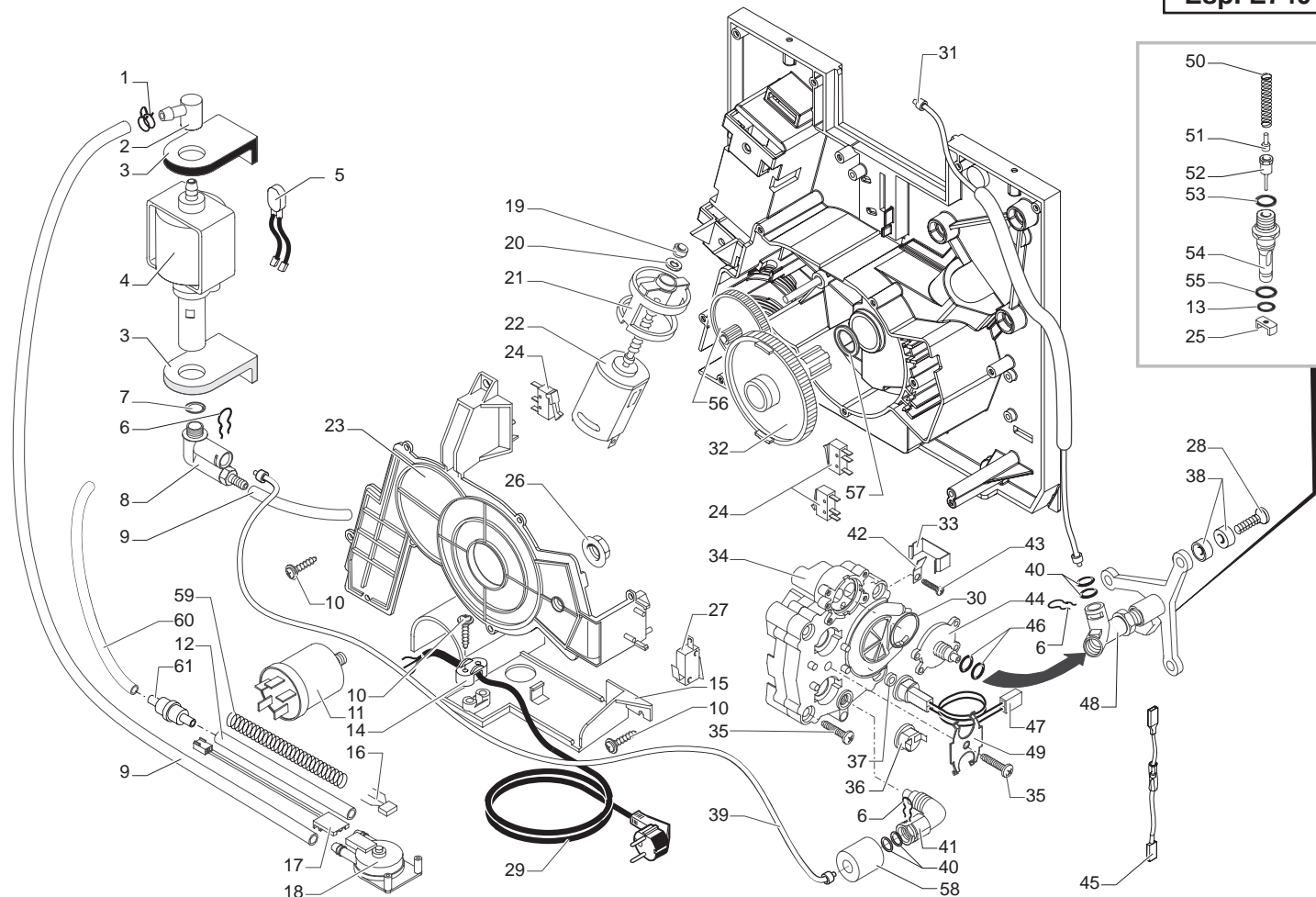
Cod. 7 4 08 04 - 06

POS	CODE	DESCRIPTION	NOTE	POS	CODE	DESCRIPTION	NOTE
73	NF11.084	PHOSPH/STEEL FOLK SPRING					
74	9161.384	SPACER FOR CONNECTION STEAM TUBE					
75	228982341	DOOR SMART SILVER					
	228982307	DOOR SMART ANTHRACITE					
76	222762441	SILVER COFFEE DISPENSER LID SMART					
77	147921750	BLACK CONNECTOR STEAM TUBE SMART					
78	222821241	SILVER COVER CONNECT.STEAM TUBE SMART					
79	147370350	MOBILE PART COFFEE DISPENSIG SMART					
80	222860241	SILVER COFFEE DISPENSER SMART					
81	145501211	RED FLOAT FOR DRIP TRAY SMART					
82	142713879	BEAN CONTAINER TRANSP/BLUE SMART					
83	225741041	SILVER GRATE SMART					
84	129570402	SCREW TAPT. M3X6 DIN 7985 ZNP					
85	142660259	GREY PHASE KEY COFFEE BREW UNIT MAGIC					
86	145852400	GROUND COFFEE CONTEN.SEAL ADH.SMART					
87	229170450	SEALING SUPPORT AS.WATER DRIP TRAY					
88	0312.022	SEAL FOR VALVE CONTAINER					
89	148601650	1GROMMET FOR POWER CABLE SMART					
	0301.961	STICKER FOR WATER HARDNESS TEST					
90	282800486	CLEAR/GREY CUPWARMING LID SMART ASSY.					
91	282800468	TALB/GREY CUPWARMER LID SMART ASSY.					
92	145895600	GREY INSERT FOR COVER SMART					
92	145895699	BLACK INSERT FOR COVER SMART					
93	129660902	PANELVIT TCB SCREW 3,5X12 D.7505 Z					
94	179990100	BAND FOR LIFTING L=1250 H=150 MM					

Saeco SUP 021 YR
INTERNATIONAL GROUP

Rev. 01 - 04/12/03

TABLE 1b/4



Saeco SUP 021 YR
INTERNATIONAL GROUP

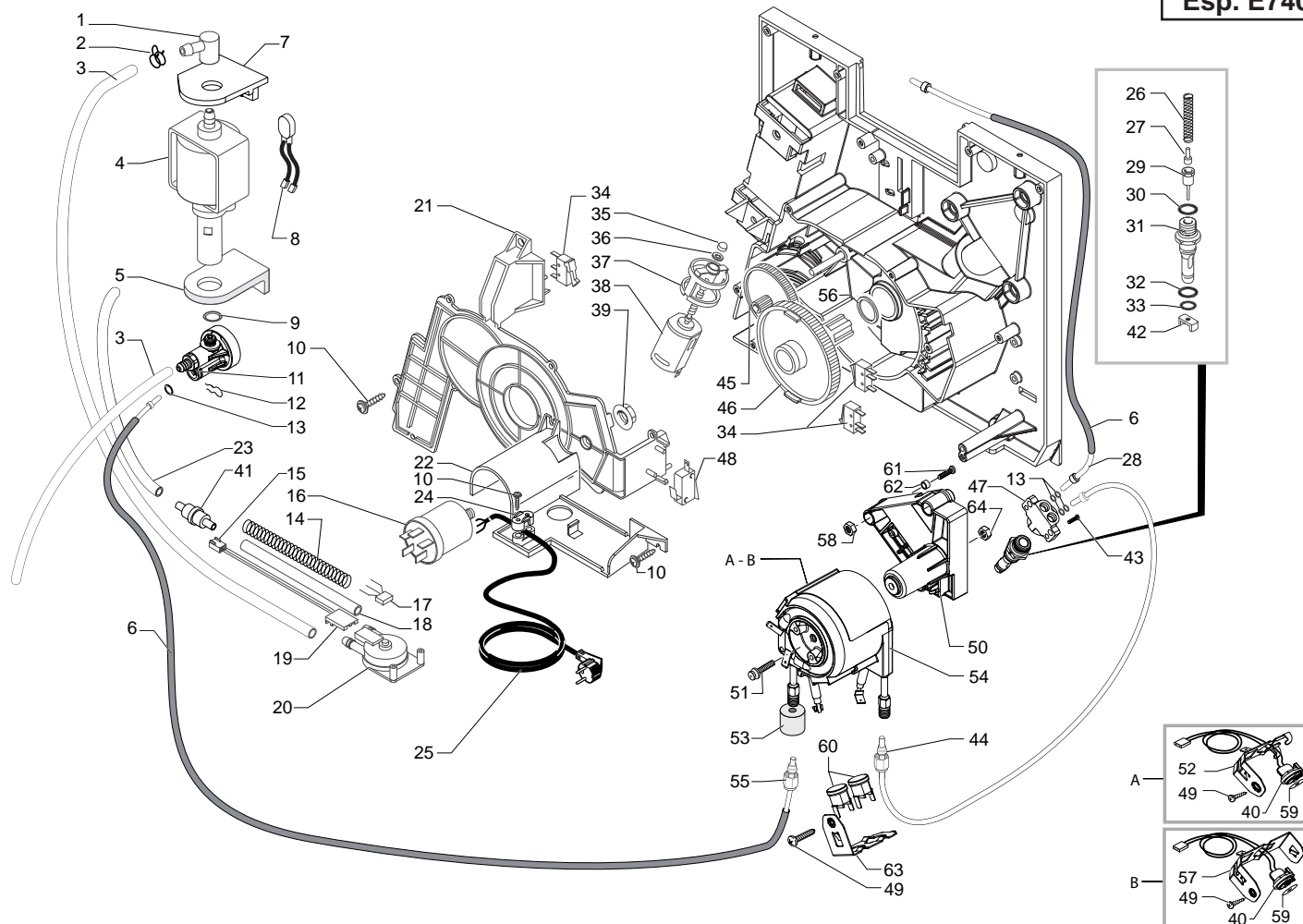
ALUMINIUM BOILER



Cod. 7 4 08 04 - 06

POS	CODE	DESCRIPTION	NOTE	POS	CODE	DESCRIPTION	NOTE
01	184320200	SPRING HOSE CLAMP D=9,5MM		42	NE15.026	MALE TONGUE 45° 6,3 D.5,2	
02	147920150	90° INLET CONNECTOR PUMP		43	129931102	TCBC SCREW INCORP WASH ZNP MAGIC	
03	149185850	EATON PUMP SUPPORT 4002012 MAGIC		44	229182920	BRASS SUPPORT BOIL.VV/O.VALVE M4000	
04	187720958	ULKA PUMP EX 5		45	183441562	CABLE 2WIRES SILIC.BLUE TH/FUSE 192"	
	187720955	ULKA PUMP EX 5		46	140321462	OR 2018 IN SILICONE	
05	0311.807	YELLOW HARNESS KLIXON JP 13		47	288581358	SENSOR MP5000/SMART ASSY.	230V
	289202600	THERMAL PROTECTOR 120°C			288581355	SENSOR MP5000/SMART ASSY.	120V
06	9011.144	SS FORK FOR TUBE D.4		48	229170600	CASING SUPP.BRASS AS. BOIL.M4000/SM.	
07	140321961	OR 2031 IN TERMOIL		49	126834600	SPRING FIXING 2 THERMOSTATS MAGIC	
08	229451900	SAFETY VALVE TO 90° SMART ASSY.		50	9011.132	SPRING FOR PIN	
09	149360200	SILICONE TUBE 5X8 70SR	IN ROLL	51	127471620	BRASS PIN FOR PISTON L=10	
10	129670202	TCB PANELVIT SCREW 3,5X16 TESTA D=8 ZNP		52	227660100	BRASS PISTON L=20,9 ASSY.	
11	184651100	ANTIDISTURB FILTER 0,47X2+1000Y2+0,5L		53	140320462	OR ORM 0080-20 IN SILICONE	
12	149361100	SILICONE TUBE 5X10 60SR IN ROLL		54	147471700	PIN FOR BOIL. VALVE NEW MAGIC	
13	NM01.057	OR ORM 0050-20 IN SILICONE		55	NM01.035	OR ORM 0090-20 SILICONE	
14	148600600	BLACK CABLE CLAMP MAGIC ESPR/COMBI		56	146000759	GEAR 12/90 FOR RATIOMOTOR MAGIC	
15	149194800	NATURAL TURBINE SUPPORT SMART		57	9161.132	MYLAR WASHER FOR RATIOMOTOR	
16		PARTICULAR NOT AVAILABLE	SEE PART.N°18	58	123260402	NUT M4 UNI 5588 A-6S ZN	
17	283551300	3POLE CONNECT.AS.TURBINE JP18 SMART		59	128420102	GALV.ELASTIC WASHER UNI 1751 B4	
18	286473300	M-VDE TURBINE WITH SENSOR KIT	WITH PART.N°16	60	129829502	TCB SCREW M6X40 UNI 7687 ZNP	
19	121710720	BRASS SINT. BUSH MOTOR R.MOTOR MAG		61	189428300	THERMOSTAT 175° INTERCONTR.161471002	
20	148380200	WASHER BAKELIZZATE D=5,5		62	123270102	NUT M6 FLANGED TOOTHED BASE GALV.	
21	9121.044	ANTIVIBRATION FOR MOTOR		63	286474758	SPARES KIT BLECKMANN SMART	230V
22	286891058	GEN.ASS.MOTOR 230V FOR RATIOMOTOR			286474755	SPARES KIT BLECKMANN SMART 1	120V
23	286891155	GENER.MOTOR FOR RATIOMOTOR SMART ULASSY			288140458	HEATING-ELEMENT BLECKMANN ASSY.	230V -1000W
24	9161.331.920	TRANSPARENT RATIOMOTOR COVER			288140455	HEATING-ELEMENT BLECKMAN ASSY.	120V 1000W
25	NE05.038	MICROSWITCH		64	227874500	CONNECTOR AS.TEFLON 2X4 L=330 MM	
26	145893000	CURSOR INSERT BOIL.VALVE NEW MAGIC				UP TO S.N°9003SA40301998	
27	123453602	FLANGE NUT M8 TOOTHED BASE GALV.		65	147755900	HEATELEMENT PROTECTION BLECKMANN SMART	
28	186723800	MICROSWITCH SAIA X3M502K2KAM92AS		66	147756562	PROTECTION FOR FOLK SPRING TUBE D=4	
29	U044.017	screw TSPC M5,0X20 UNI 7688 GALV.		67	129823802	TCB SCREW M4X8 UNI 7687 ZNP	
	183910450	POWER CABLE CHUKKO BLACK L=1500		68	128310404	WASHER UNI 8842 A4 BURNISHED	
	183930250	POW.CABLE CH BLACK H05+3FAST.L=1500		69	127535319	GALV/STEEL THERMAL FUSE FIXING PLATE	
30	140324562	OR 2106 IN SILICONE		70	129024502	GALV.BRACKET BOILER SUPPORT SMART	
31	227874600	CONNECTOR AS.TEFLON 2X4 L=180 MM		71	9161.415	BRASS CONNECTOR FOR TUBE TEFLON 4X2	
		UP TO S.N°9003SA40301998		72	227875200	CONNECTOR AS.TEFLON 2X4 L=180 MM	
32	9121.069.150	GEAR Z=108 FOR MOUNTING PLATE M4000				FROM S.N°9003SA40301999	
33	126834717	STEEL SPRING T. FUSE BOIL. MAGIC		73	227875400	CONNECTOR AS.TEFLON 2X4 L=330 MM	
34	9019.A19.00A	BOILER CASINGS ASS. PROFESS.	230V	74	149361200	BLACK SILICONE TUBE 7,5X9,3	IN ROLL
	9019.A19.00F	BOILER CASINGS ASS. PROFESS.	120V			FROM S.N°9003SA40301999	
35	129828502	TCB SCREW M6X30 UNI 7687 ZNP				FROM S.N°9003SA40301999	
36	NE09.006	THERMOSTAT 170°NC FAST. 90°+WASHER				FROM S.N°9003SA40301999	
37	123591222	ALUM.SPACER NEW FOR SENSOR MAGIC				FROM S.N°9003SA40301999	
38	9161.206	INSULATING SPACER FOR BOILER				FROM S.N°9003SA40301999	
39	227874400	TEFLON TUBE 2X4 L=120 MM ASSY				FROM S.N°9003SA40301999	
40	NM02.028	OR 2015 EPDM FDA				FROM S.N°9003SA40301999	
41	9991.150	BRASS CONNECTOR 1/8" CONICAL AT 90°			282131958	ALUM.GEN.BOILER M4000SMART/R.ST.230V ASSY	

Saeco SUP 021 YR
INTERNATIONAL GROUP



Saeco SUP 021 YR
INTERNATIONAL GROUP

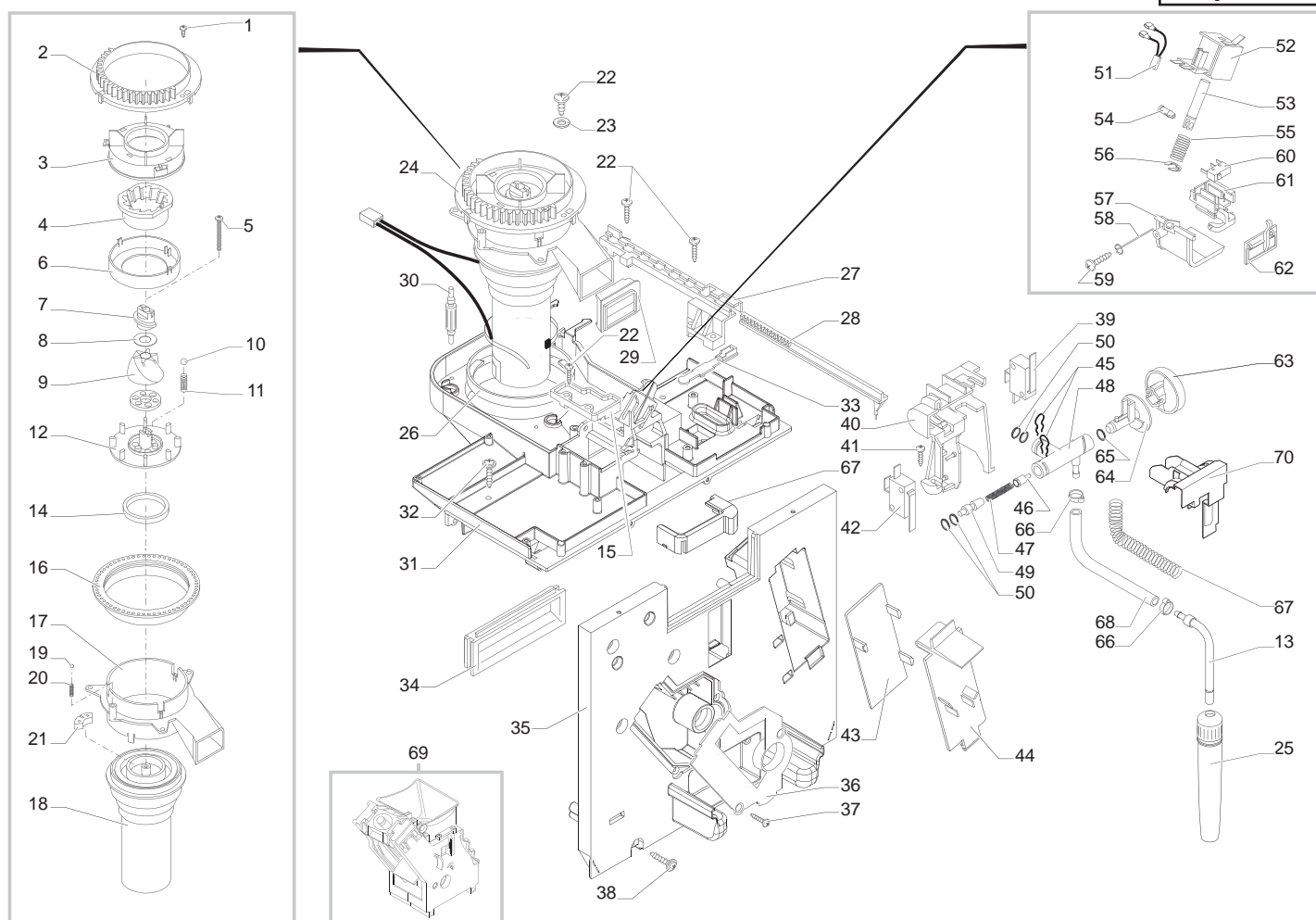
INOX BOILER



Cod. 7 4 08 04 - 06

POS	CODE	DESCRIPTION	NOTE	POS	CODE	DESCRIPTION	NOTE
01	9991.084	RUBBER CONNECTION 90° ULKA		38	286892255	GEN.MOTOR FOR RATIOMOTOR SMART/V2 ULASSY	120V
02	184320200	SPRING HOSE CLAMP D=9,5MM		39	123453602	FLANGE NUT M8 TOOTHED BASE GALV.	
03	149360200	SILICONE TUBE 5X8 70SR	IN ROLL	40	288582200	SENSOR ASS.FOR ALLUM.BOILER AS.	
04	187720958	ULKA PUMP EX 5	230 V	41	129670202	TCB PANELVIT SCREW 3,5X16 TESTA D=8 ZNP	
	187720955	ULKA PUMP EX 5	120 V	42	129573402	SCREW TAPT M4X10 DIN 7985 GALV	
05	149185850	EATON PUMP SUPPORT 4002012 MAGIC		43	129910103	HI-LO TC SCREW 3,5X15 RIF.910189	
06	149361200	BLACK SILICONE TUBE 7,5X9,3 IN ROLL		44	9161.415	BRASS CONNECTOR FOR TUBE TEFLON 4X2	
07	149185850	EATON PUMP SUPPORT 4002012 MAGIC		45	146000759	GEAR 12/90 FOR RATIOMOTOR MAGIC	
08	0311.807	YELLOW HARNESS KLIXON JP 13	230V	46	9121.069.150	GEAR Z=108 FOR MOUNTING PLATE M4000	
	289202600	THERMAL PROTECTOR 120°C	120V	47	NE05.038	MICROSWITCH	
09	140321961	OR 2031 IN TERMOIL		48	186723800	MICROSWITCH SAIA X3M502K2KAM92AS	
10	129670202	TCB PANELVIT SCREW 3,5X16 TESTA D=8 ZNP		49	129573202	SCREW TCB TORX 20 M4X8 AUTOFORMING ZN-B	
11	229452100	COMPENSATION AND SAFETY VALVE 16BAR ASSY		50	129025002	BRACKET BOILER SMART SUPPORT	
12	9011.144	SS FORK FOR TUBE D.4		51	129827402	TCB SCREW M5X20 UNI 7687 ZNP	
13	NM02.028	OR 2015 EPDM FDA		52	128310521	WASHER UNI 8842 A5 SS	
14	149361200	BLACK SILICONE TUBE 7,5X9,3	IN ROLL	53	147756562	PROTECTION FOR FOLK SPRING TUBE D=4	
15	283551300	3POLE CONNECT.AS.TURBINE JP18 SMART		54	123260402	NUT M4 UNI 5588 A-6S ZN	
16	184651100	ANTIDISTURB FILTER 0,47X2+1000Y2+0,5L	230V	55	227874900	CONNECTOR AS.TEFLON 2X4 L=250 MM	
	184651500	LOCKING SCREW ANTIDISTURB FILTER 16A	120V	56	9161.132	MYLAR WASHER FOR RATIOMOTOR	
17		PARTICULAR NOT AVAILABLE	SEE PART.N°20	57	126838017	SENSOR FIXING SPRING	
18	149361100	SILICONE TUBE 5X10 60SR	IN ROLL	58	123160502	NUT M5 HIGH UNI 5587-68 GALVANIZED	
19	9161.018	BRACKET FOR TURBINE		59	145951600	ELECTRIC INSULATING DISK D=16	
20	286473300	-M-VDE TURBINE WITH SENSOR KIT	WITH PART.N°15	60	189428200	THERMOSTAT 175° 1NT-08L-3794	
21	9161.331.920	TRANSPARENT RATIOMOTOR COVER		61	U044.020	screw TSP M5,0X30 UNI 7688 GALV.	
22	149194800	NATURAL TURBINE SUPPORT SMART		62	9161.206	INSULATING SPACER FOR BOILER	
23	129670202	TCB PANELVIT SCREW 3,5X16 TESTA D=8 ZNP		63	126838117	2 THERMOSTATS FIXING SPRING	
24	148600600	BLACK CABLE CLAMP MAGIC ESPR/COMBI		64	129573202	SCREW TCB TORX 20 M4X8 AUTOFORMING ZN-B	
25	183910450	POWER CABLE SCHUKO BLACK L=1500		65	227875400	CONNECTOR AS.TEFLON 2X4 L=330 MM	
	183990550	BLACK POWER CABLE TAIWAN HVCTF L=1590		66	227900320	BRASS CONNECTOR FOR BOILER SUPPORT	
	183930250	POW.CABLE CH BLACK H05+3FAST.L=1500		67	123160502	NUT M5 HIGH UNI 5587-68 GALVANIZED	
	183940250	BLACK POWER CABLE AUSTR.H05+FAST.L=1500		68	149197700	BLACK SUPPORT FOR TUBOL.BOILER SMART	
26	183440800	CABLE 1 WIRE SILIC.BLACK THERM/FUSE 229°		69	282058458	TUB.BOILER W/ADDIT.RESIST.1100W 230V	
27	129823802	TCB SCREW M4X8 UNI 7687 ZNP		69	282058455	TUB.BOILER W/ADDIT.RESIST.1100W 120V	
28	227871900	CONNECTOR AS. TEFLON 2X4 L=250 MM		70	227874700	CONNECTOR AS.TEFLON 2X4 L=235 MM	
29	288140458	HEATING-ELEMENT BLECKMAN ASSY.230V 1000W		71	140328059	OR 2015 IN SILICONE PTFE/FDA	
	288140455	HEATING-ELEMENT BLECKMAN ASSY.120V 1000W			9011.132	SPRING FOR PIN	
30	189428300	THERMOSTAT 175° INTERCONTR.161471002		73	127471620	BRASS PIN FOR PISTON L=10	
31	127535319	GALV/STEEL THERMAL FUSE FIXING PLATE		74	227660100	BRASS PISTON L=20,9 ASSY.	
32	128310404	WASHER UNI 8842 A4 BURNISHED		75	140320459	OR ORM 0080-20 IN SILICONE PTFE/FDA	
33	147755900	HEAT.ELEMENT PROTECTION BLECKMANN SMART		76	147471700	PIN FOR BOIL. VALVE NEW MAGIC	
34	NE05.038	MICROSWITCH		77	NM01.035	OR ORM 0090-20 SILICONE	
35	9121.046	SINTERED BUSH FOR MOTOR		78	NM01.057	OR ORM 0050-20 IN SILICONE	
36	148380200	WASHER BAKELIZATE D=5,5		79	145893000	CURSOR INSERT BOIL.VALVE NEW MAGIC	
37	9121.044	ANTIVIBRATION FOR MOTOR					
38	286892258	GENER.MOTOR FOR RATIOMOTOR SMART/V2 ASSY	230V				

Saeco SUP 021 YR
INTERNATIONAL GROUP



Saeco SUP 021 YR
INTERNATIONAL GROUP



Cod. 7 4 08 04 - 06

POS	CODE	DESCRIPTION	NOTE	POS	CODE	DESCRIPTION	NOTE
01	129511803	SCREW TCB 2,9X6,4 DIN 7981 NICK		39	NE05.013	MICROSWITCH	
02	148650250	SECTOR GEARGRIND ADJUSTMENT KNOB COMBI		40	149194500	BLACK FAUCET SUPPORT SMART	
03	149186150	BLACK UPPER GRINDER SUPPORT MAGIC		41	129660902	PANELVIT TCB SCREW 3,5X12 D.7505 Z	
04		PARTICULAR NOT AVAILABLE	SEE PART.N°09	42	186723800	MICROSWITCH SAIA X3M502K2KAM92AS	
05	129931002	TORX SCREW T10 TCB 3,5X40 SX ZNG		43	9161.345.050	BLACK INTERNAL COVERING PUMP SPACE	
06	142844550	UPPER GRINDER COVER COFFEE GRIND. MAGIC		44	9161.332.050	BLACK EXTERNAL COVERING PUMP SPACE	
07	147470763	INCREASE SCREW PIN COFFEE GRINDER MAGIC		45	9011.144	SS FORK FOR TUBE D.4	
08	128130102	FLAT WASHER D10XD16X0,1 DIN988 Z		46	9019.A04	PIN ASS. SUPERAUTOMATICA	
09	226473500	KIT TECNA GRINDERS		47	126765317	STEEL SPRING BOILER PISTON MAGIC	
10	128610521	STAIL.STEEL AISI 304 SPHERE D=5,5MM		48	0345.078	BLACK FAUCET BODY MOD.	
11	126765517	STEEL SPRING SPHERE D=5,5 MOTOR MAGIC		49	9161.379	BRASS CAP FOR FAUCET NESPRESSO	
12	149188750	CONICAL GRIND. SUPP. + RING MAGIC		50	NM02.028	OR 2015 EPDM FDA	
13	229381408	CHROMED STEAM TUBE AS.SMART		51	289202200	THERMAL.PROTECTOR 100°C	
14	140360200	FELT RING 40X34X5		52	283770658	ELECTROMAGN.SMART ASSY.	230V
15	145895400	INSERT FOR DOSER SMART			283770755	V2 COFFEE DOSER COIL ASSY.	120V
16	146570950	RING NUT FOR GRINDING ADJUSTMENT MAGIC		53	122590602	EL.MAGNET CYL.COFF. BEAN DOS. MAGI	
17	149194200	GRINDER MOTOR SUPPORT SMART		54	147470659	PIN GREY FOR DOSER DOOR MAGIC	
18	286851858	MOTOR AS.NEW MAGIC DE LUXE	230V	55	126764818	SPRING ELECTROM.BEAN DOSER MAGIC	
	286851855	MOTOR AS.NEW MAGIC DE LUXE	120V	56	120350704	SHAFT 7 UNI 7434	
19	128610421	STAIL.STELL AISI 304 SPHERE D=3,2MM		57	148971259	BEAN DOSER DOOR GREY NEW MAGIC	
20	126770117	NEW SPRING SPHERE D=3,2 MOTOR MAGIG		58	126834418	BEAN DUMP.SPRING COFF.BEAN DOS.MAG	
21	140230400	SHOCK ABS. CONICAL GRINDER SUPP.MAGIC		59	129660202	PANELVIT TCB SCREW 3X12 DIN 7505 Z	
22	129660102	PANELVIT TCB SCREW 3,5X18 D.7505 Z		60	186701200	MICROSWITCH SAIA.XCC5-81	
23	U207.004	PLAIN WASHER 4,3X16 UNI 6592 GAL		61	149185959	BEAN DOSER MICRO SUPORT MAGIC	
24	286883758	GEN.MOTOR STD V2 M5000 ASSY.	230V	62	148700559	COFFEE DOSER DOSE ADJ. SEL. GR MAG	
	286883858	GEN.MOTOR ITALY V2 M5000 ASSY.	230V	63	227700541	STEAM KNOB SMART SILVER	
	286883755	GEN.MOTOR STD V2 M5000 ASSY.	120V	64	140640300	FAUCET SHAFT FOR SMART	
25	227431250	BLACK/BLACK PANNARELLO PLASTIC ASSY.		65	140321461	OR 2018 IN EPDM	
26	9141.052	COFFEEGRINDER REINFORCING RING		66	NF11.052	OETIKER CLIP	
27	147572150	PLATE FIXING TOOTHED SLIDE SMART		67	126772018	SPRING DI=7,5 FOR FABRIC FINISH TUB	
28	148740550	TOOTHED SLIDE FOR DOSE ADJUST SMART		68	229432900	BRAIDED SILICONE TUBE 3X7 L=156 MM	
29	145851862	GROUND COFFEE OUTLET SEAL SMART		69	9160.070.150	GREY BREW UNIT SMART	
30	9991.103	ANTIVIBRATION FOR COFFEEGRINDER				SEE EXPL CODE.E90029	
31	147531500	BLACK GRINDER SUPPORT PLATE P107		70	147756400	PROTECTION FAUCET BODY WATER/STEAM	
32	129670202	TCB PANELVIT SCREW 3,5X16 TESTA D=8 ZNP					
33	9161.122.150	DOSE ADJUSTMENT LEVER GREY CLASSIC					
34	145895350	BLACK INSERT FOR MOUNT.PLATE SMART					
35	227533000	BOILER SUPPORT PLATE SMART ASSY.					
36	9161.333.050	BLACK BOILER COVER SMART					
37	129535721	SCREW TSP TORX 10 3,5X9,5 SHEET SS					
38	129670202	TCB PANELVIT SCREW 3,5X16 TESTA D=8 ZNP					

Saeco SUP 021 YR
INTERNATIONAL GROUP