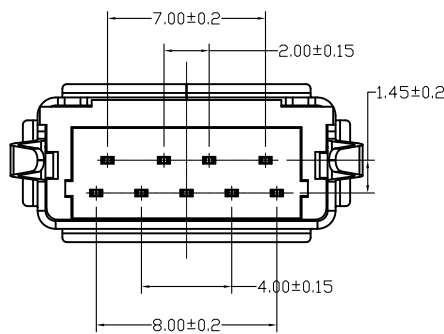
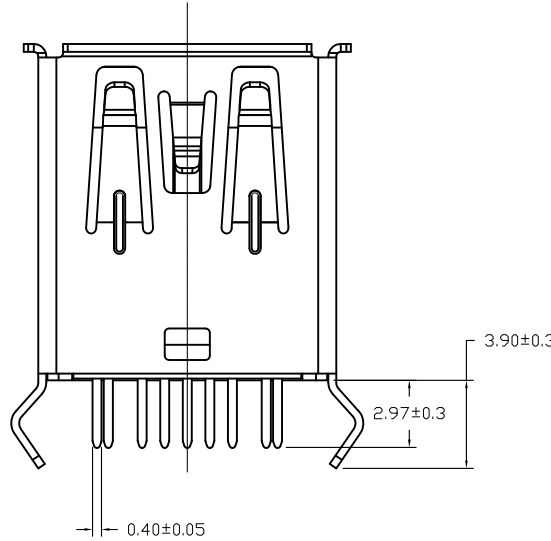
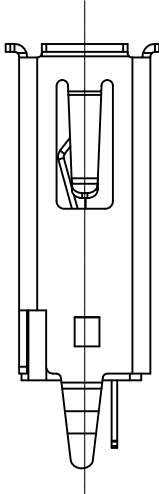
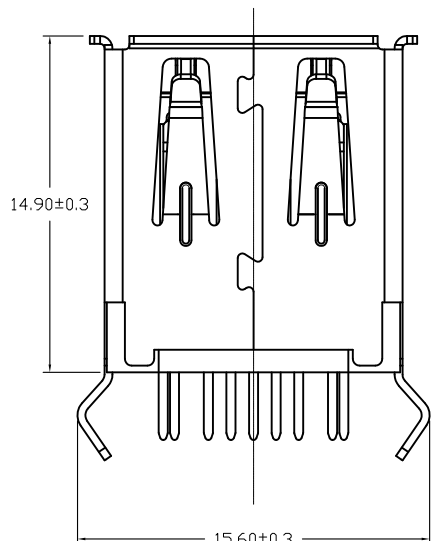
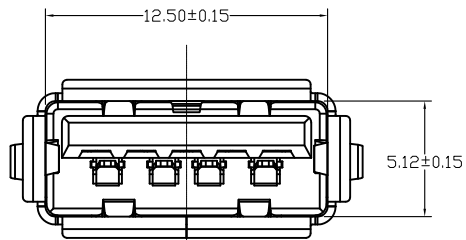
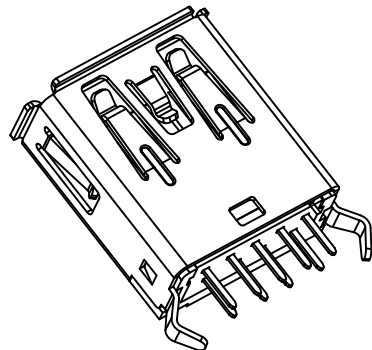


This document is the property of Amphenol Corporation and is delivered on the express condition that it is not to be disclosed, reproduced or used, in whole or in part, for the manufacture or sale by anyone other than Amphenol Corporation without its prior consent, and that no right is granted to disclose or to use any information in this document.

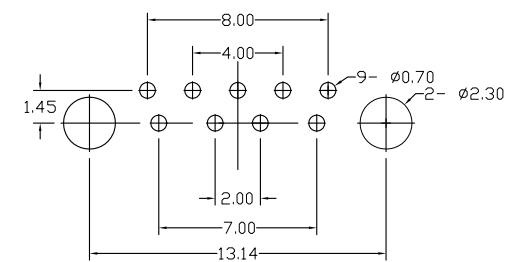


- NOTES:
- MATERIAL:
 - HOUSING: PBT, UL94V-0 COLOR: BLUE
 - TERMINAL: COPPER ALLOY
 - SHELL: COPPER ALLOY
 - PLATING:
 - TERMINAL: GOLD PLATING ON CONTACT AREA, TIN PLATING ON SOLDER TAIL, NICKEL UNDERPLATING OVER ALL
 - SHELL: NICKEL PLATING OVER ALL
 - ELECTRICAL REQUIREMENTS:
 - CONTACT CURRENT RATING: 1.8AMP (PIN1 AND PIN4 PIN7 OF THE USB3.0), 0.25AMP (OTHERS)
 - CONTACT RESISTANCE: 30mOHM MAX
 - INSULATION RESISTANCE: 100MOHM MIN
 - MECHANICAL REQUIREMENTS:
 - INSERTION FORCE: 35N MAX
 - EXTRACTION FORCE: 8N MIN
 - OPERATING TEMPERATURE: -55°~85°

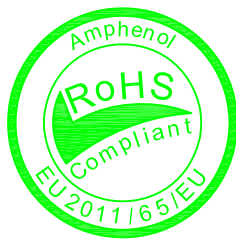
Ordering Information

TUEA9F1DXY

Contact Plating
 1= 15u" Gold
 3= 30u" Gold



PCB LAYOUT(ALL TOLERANCE: 0.05)



TOLERANCE (mm)	APPROVALS	DATE	TITLE	AMPHENOL Amphenol European Design Center	
X. ±0.35	DRAWN Stephane	30/Nov/2010	USB 3.0 A F Vertical	Scale N.A.	Sheet 1 of 1
X.X ±0.25	CHECKED Rob	30/Nov/2010			
X.XX ±0.15	APPROVED Rob	30/Nov/2010			
UNLESS OTHERWISE SPECIFIED		UNIT : mm	SIZE : A4	DRAWING N° TUEA9F1DXY	REV. A