

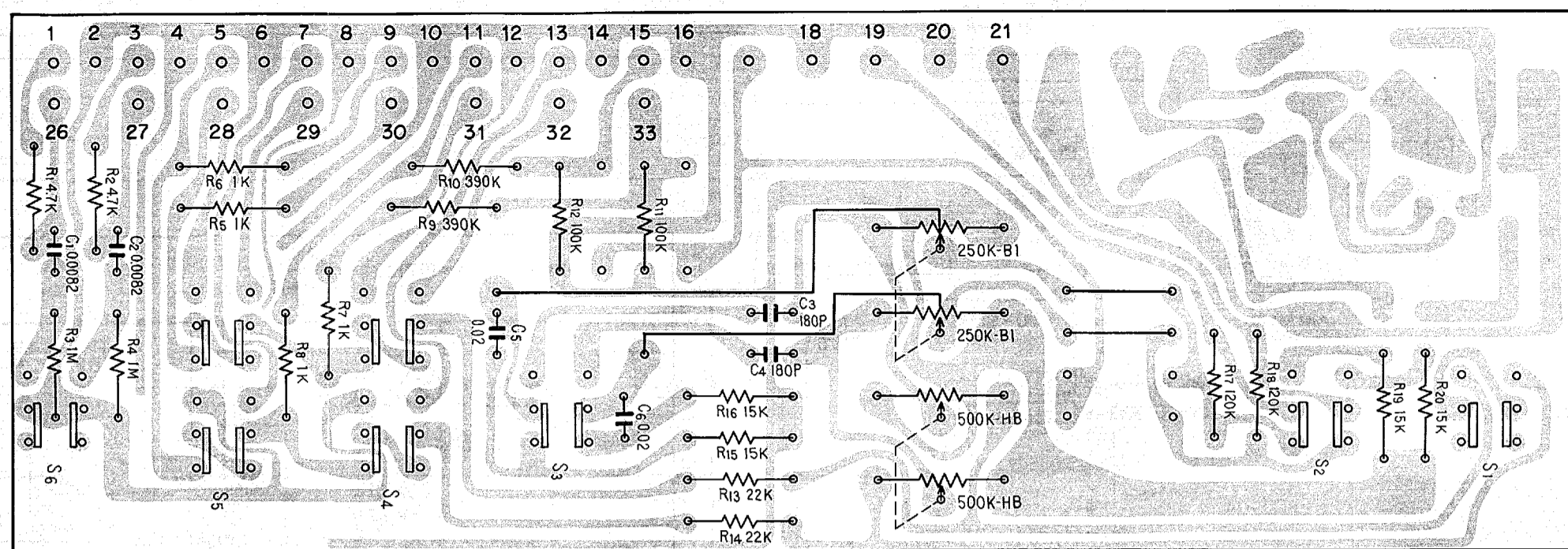
STEREO AMPLIFIER

SA-6200

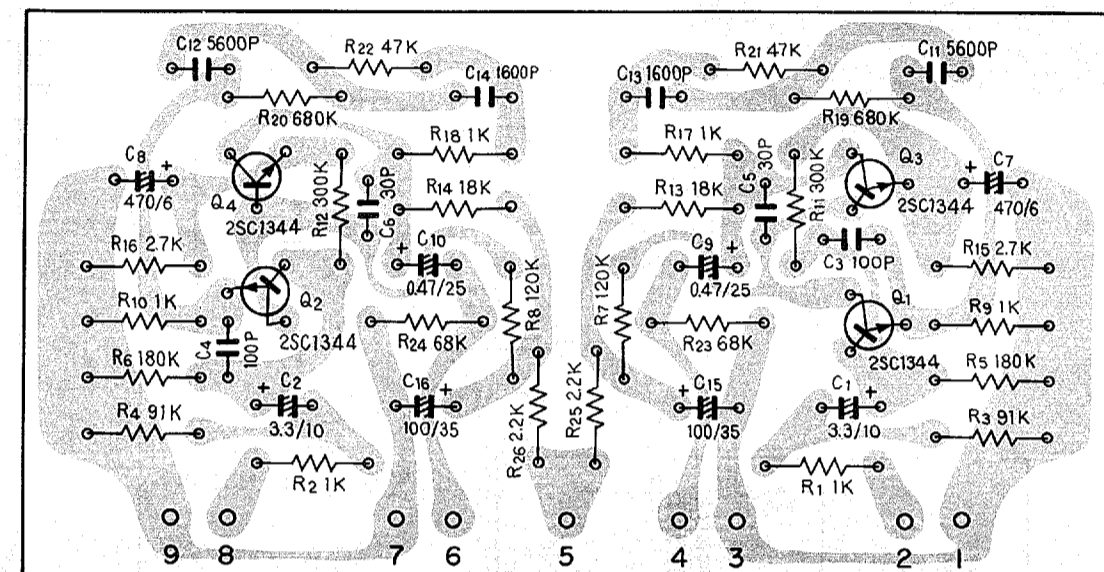
FV NB

2

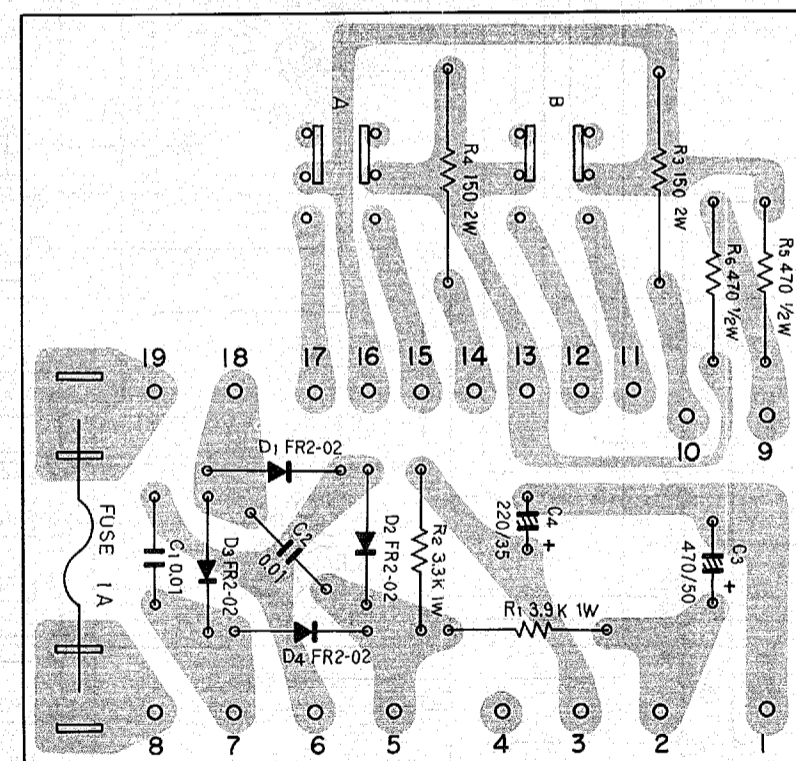
Switch circuit ass'y A AWS-045



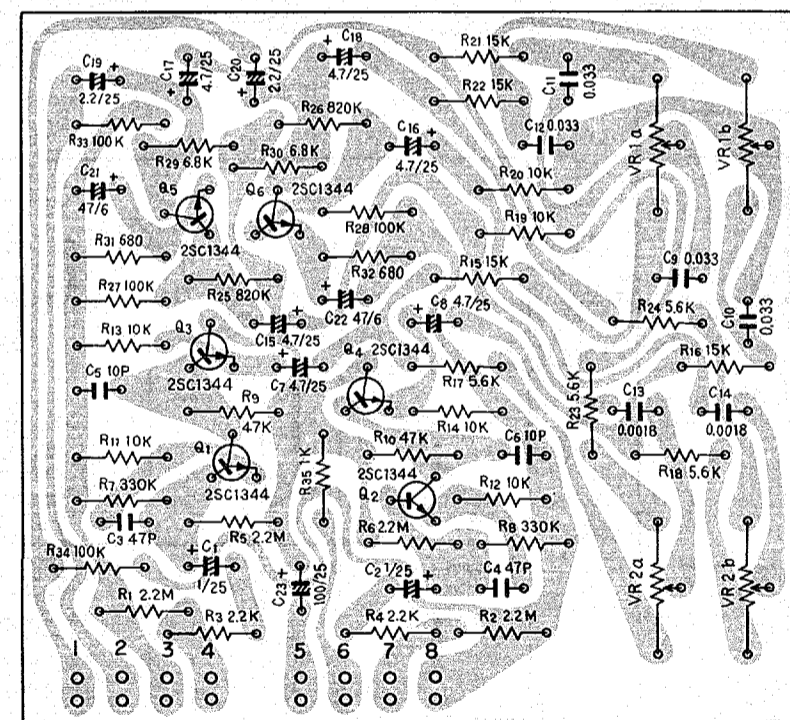
Equalizer amp ass'y AWF-008



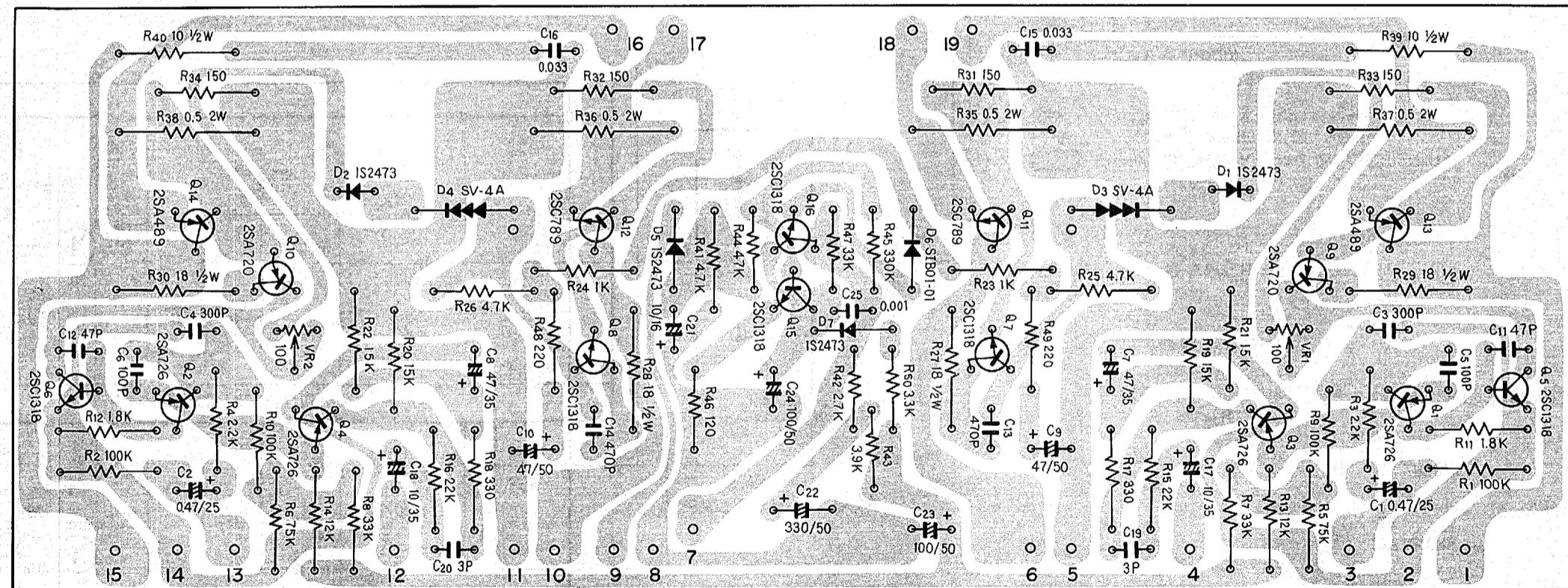
Switch circuit ass'y B AWS-044



Control amp ass'y AWG-020



Power amp ass'y AWH-025

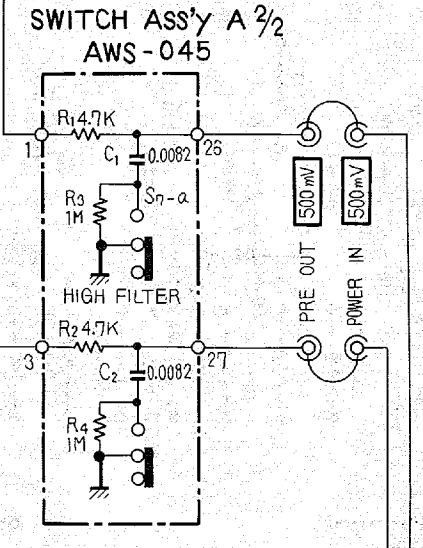
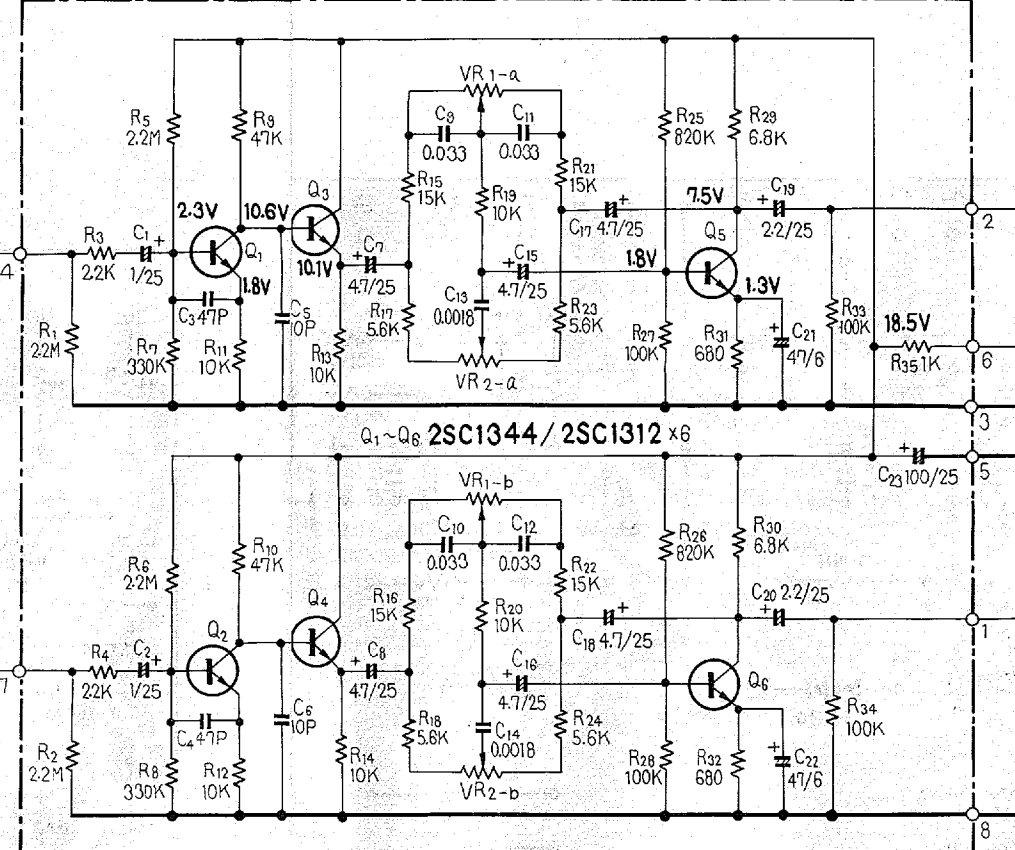
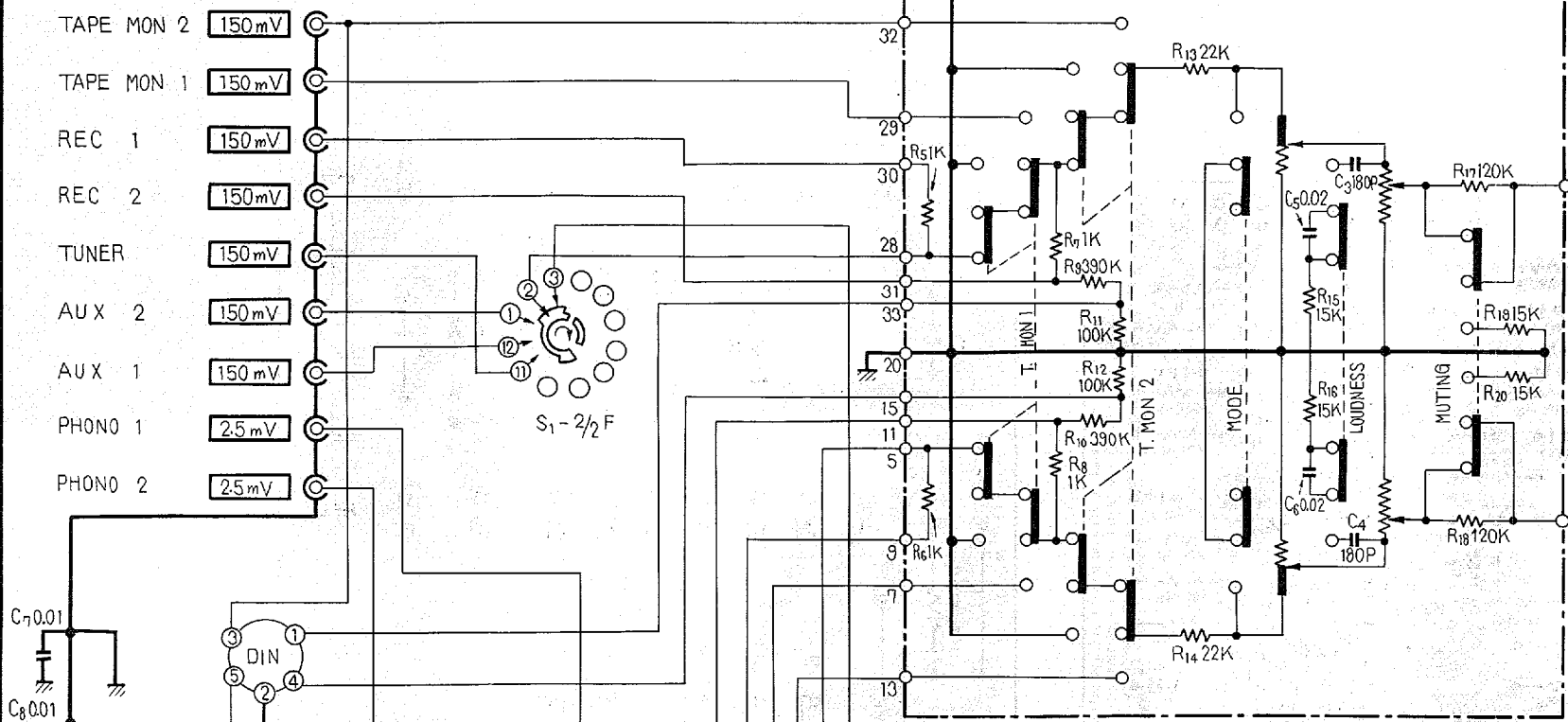


# SA-6200

## SWITCH ASS'y A 1/2 AWS-045

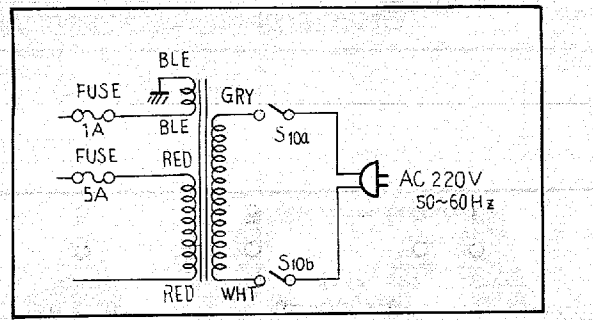
## CONTROL AMP ASS'y AWG-020

- SWITCHES
- |                                |                                       |
|--------------------------------|---------------------------------------|
| S <sub>1</sub> SELECTOR        | S <sub>7</sub> HIGH CUT FILTER        |
| 1 PHONO 2/MIC                  | 1 OFF                                 |
| 2 PHONO 1                      | 2 ON                                  |
| 3 TUNER                        |                                       |
| 4 AUX 1                        | S <sub>8</sub> SPEAKERS A             |
| 5 AUX 2                        | 1 ON                                  |
|                                | 2 OFF                                 |
| S <sub>2</sub> TAPE MONITOR 1  | S <sub>9</sub> SPEAKERS B             |
| 1 OFF                          | 1 ON                                  |
| 2 ON                           | 2 OFF                                 |
| S <sub>3</sub> TAPE MONITOR 2  | S <sub>10</sub> POWER SWITCH          |
| 1 OFF                          | 1 OFF                                 |
| 2 ON                           | 2 ON                                  |
| S <sub>4</sub> MODE SWITCH     | S <sub>11</sub> LINE VOLTAGE SELECTOR |
| 1 STEREO                       | 1 110V                                |
| 2 MONO                         | 2 120V                                |
| S <sub>5</sub> LOUDNESS SWITCH | 3 130V                                |
| 1 OFF                          | 4 220V                                |
| 2 ON                           | 5 240V                                |
| S <sub>6</sub> MUTING SWITCH   |                                       |
| 1 OFF                          |                                       |
| 2 ON                           |                                       |



SIGNAL VOLTAGE AT 1kHz 22W/8Ω OUTPUT.  
 DC VOLTAGE AT NO INPUT SIGNAL.  
 DC CURRENT AT NO INPUT SIGNAL.

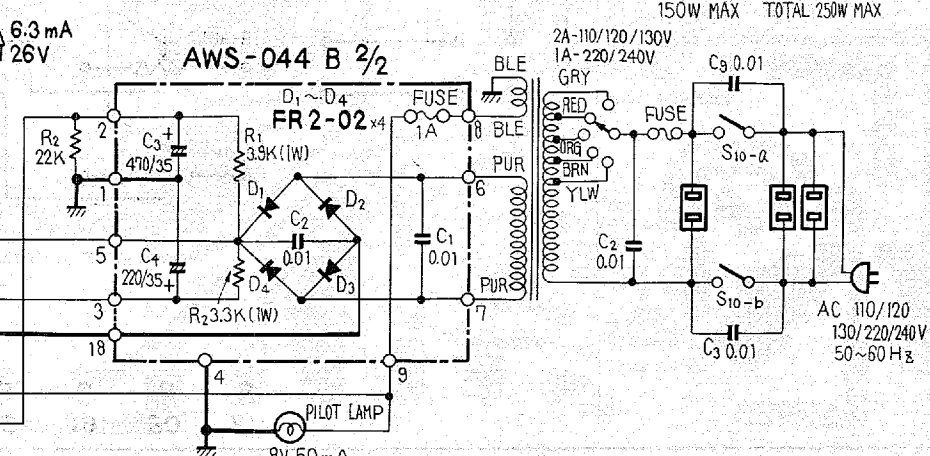
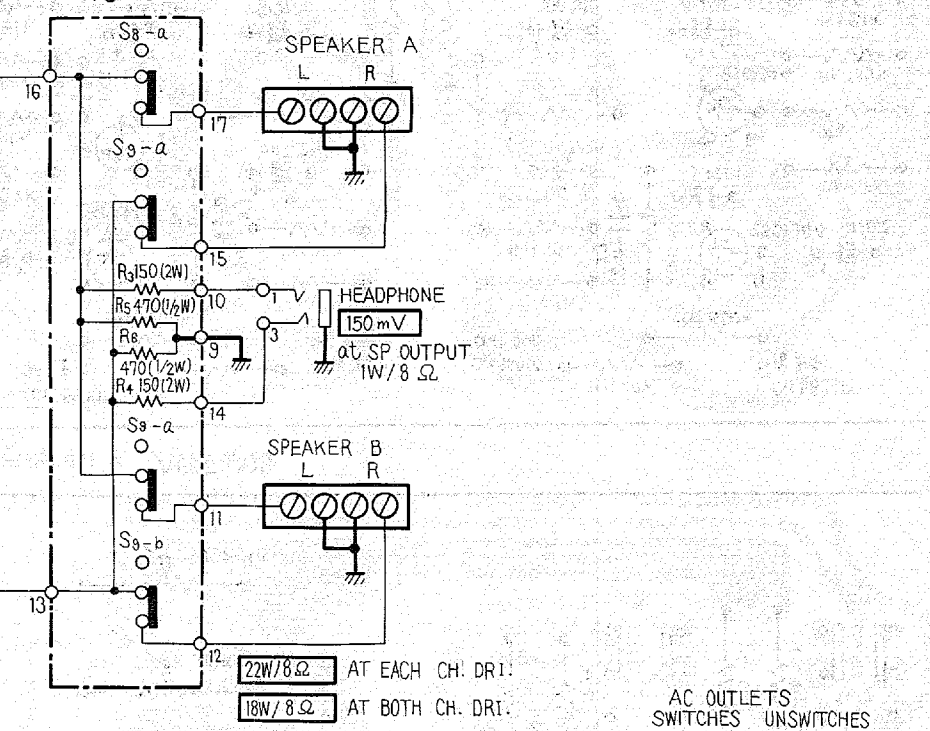
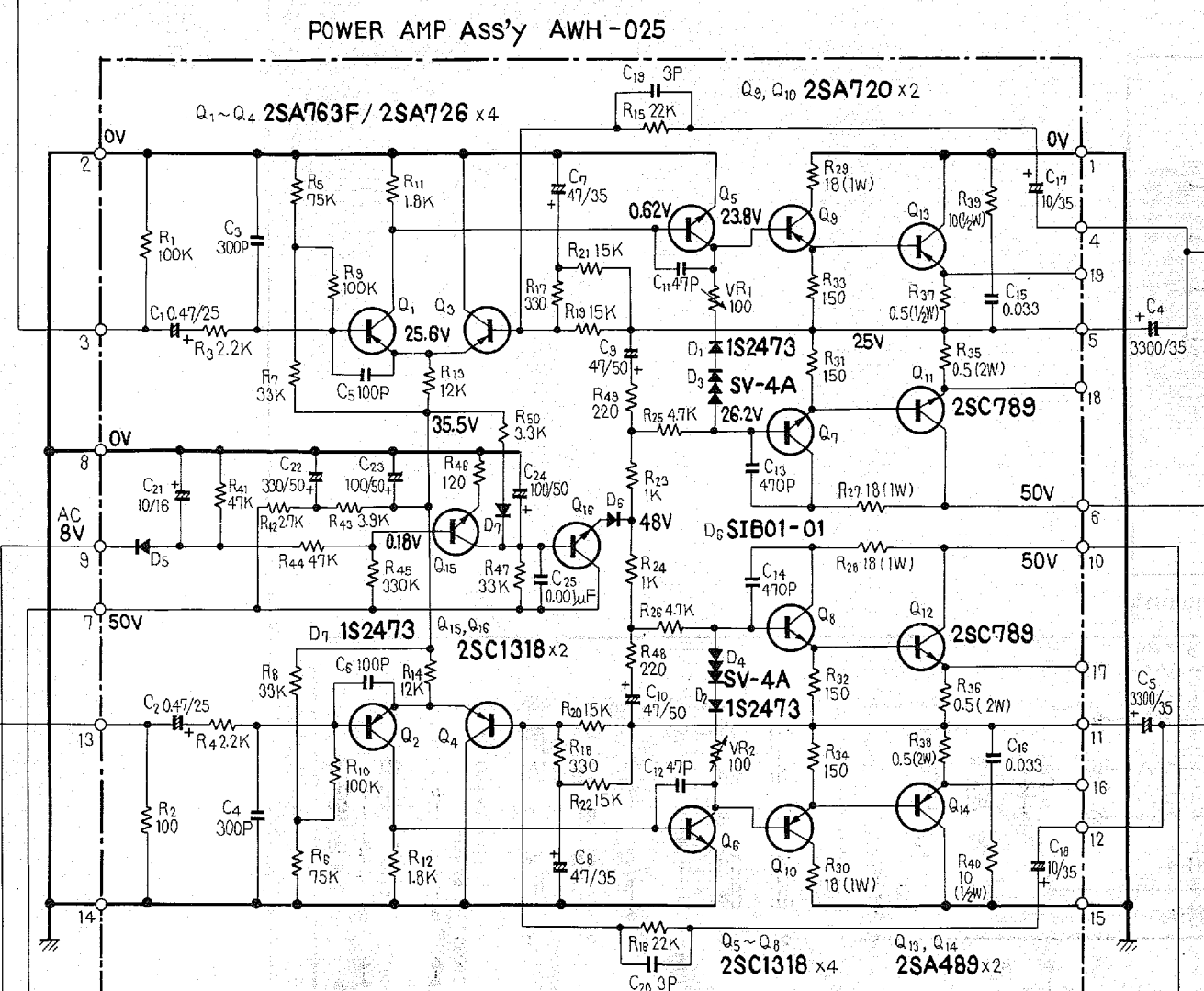
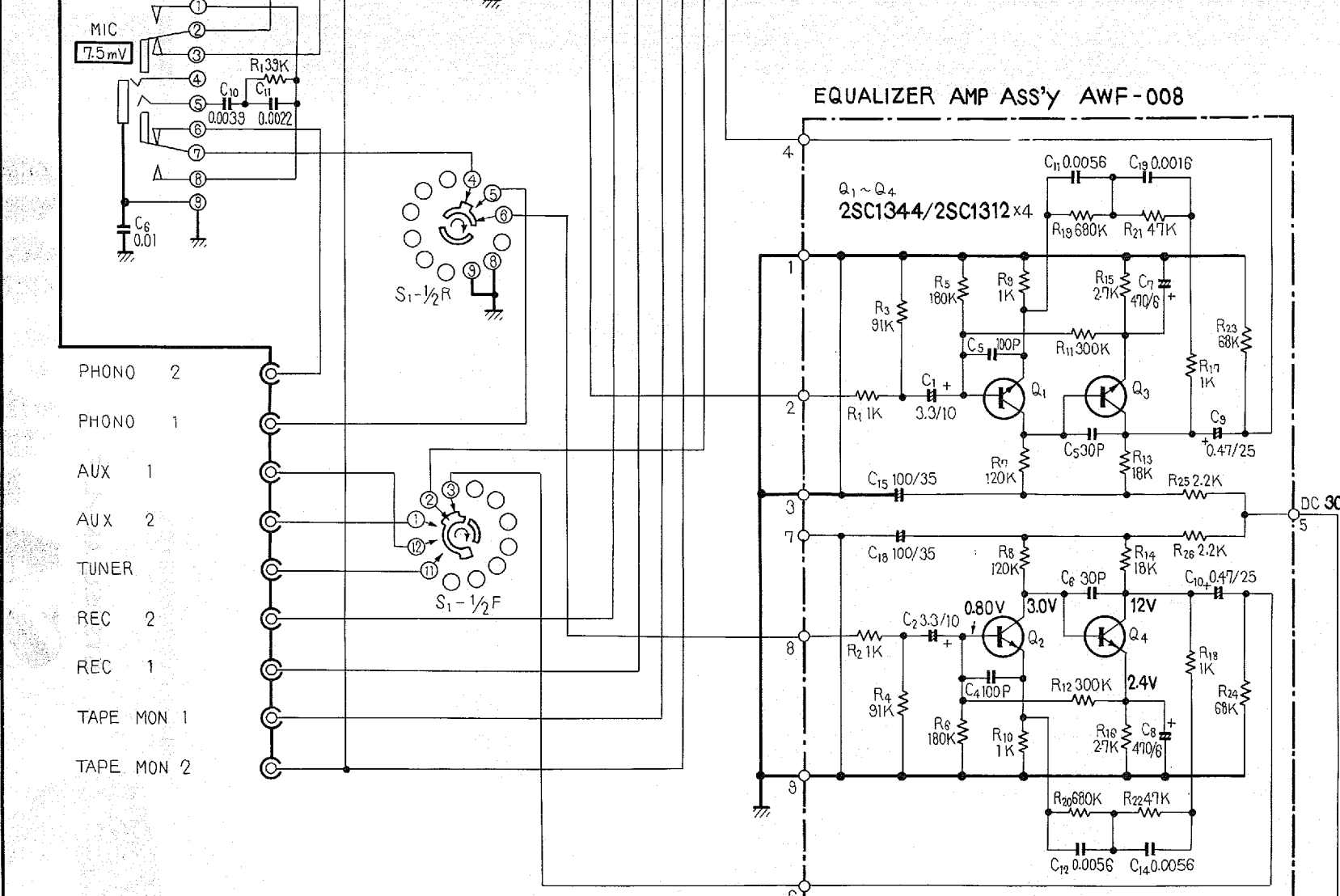
## 220V model



## EQUALIZER AMP ASS'y AWF-008

## POWER AMP ASS'y AWH-025

## SWITCH ASS'y B 1/2 AWS-044



AC OUTLETS SWITCHES UNSWITCHES  
 150W MAX TOTAL 230W MAX

