



ISO-9002 CERTIFIED MANUFACTURER
GOODWILL INSTRUMENT (M) SDN BHD

PLOT 522, MUKIM 1, LORONG PERUSAHAAN
BARU 3, KAWASAN PERUSAHAAN PRAI,
13600 PRAI, PENANG MALAYSIA
TEL: 604 390 3882 FAX : 604 390 3871

CIRCUIT DIAGRAM

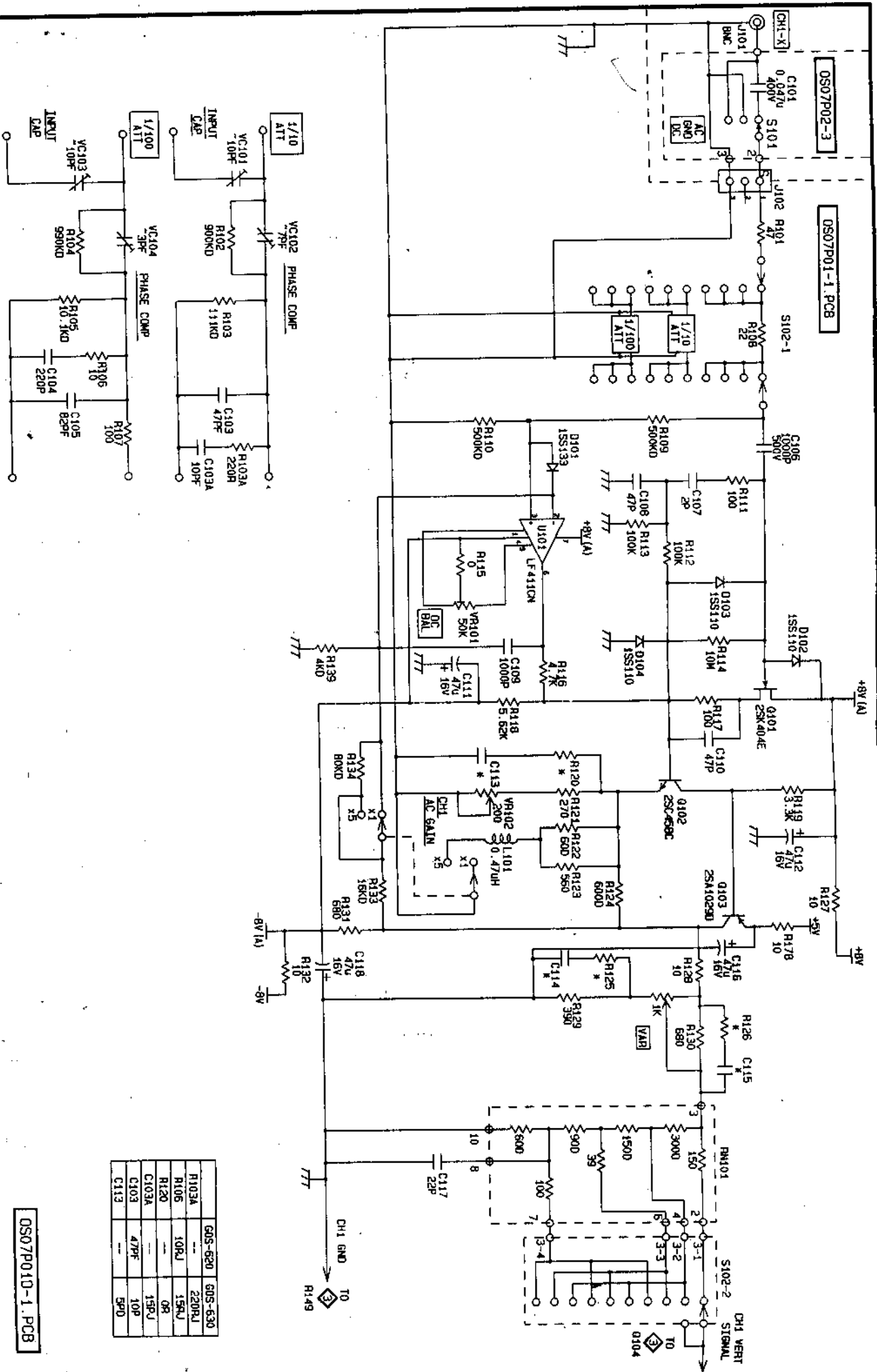
APPLICABLE ODM MODEL

CONRAD B/N 120191

GOS-620FG(CONRAD 632FG)

GOODWILL INSTRUMENT (M) SDN BHD		
APPROVED BY	CHECKED BY	PREPARED BY
		<i>Maggie Lim</i>

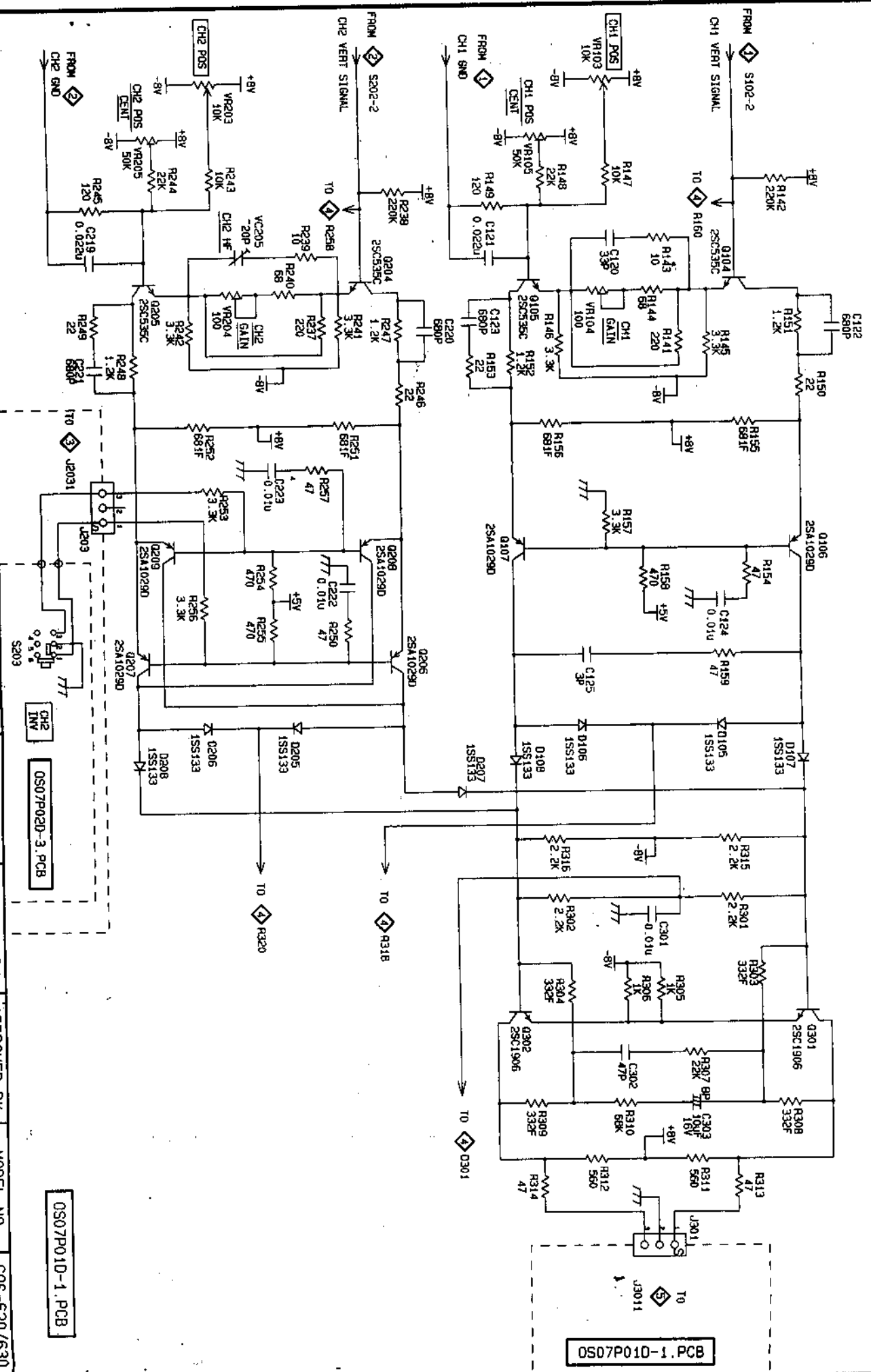
TOTAL 12 PAGES
EXCLUDING COVER PAGE



OS07P010-1.PCB

R103A	G05-620	G05-630
R106	10RJ	15RJ
R120	---	0R
C103A	---	15FJ
C103	47PF	10P
C113	---	5P0

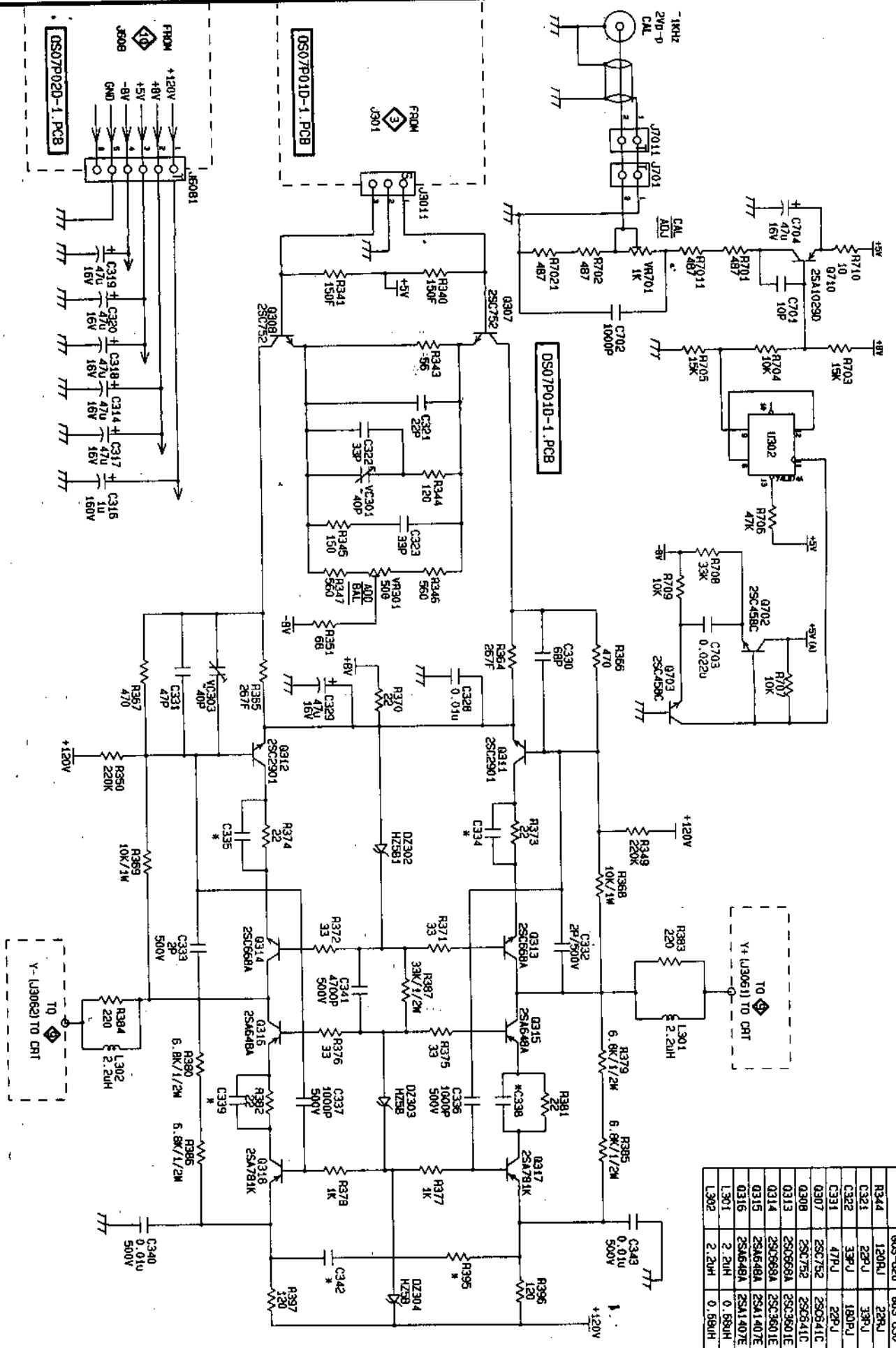
DRAWN BY	CHECKED BY	APPROVED BY	MODEL NO	G05-620/630
DESIGNER	DESCRIPTION	CH1 INPUT
...	DRAWING NO	OS07501B.SCH



			MODEL NO	GOS-620/630
DRAWN BY	CHECKED BY	APPROVED BY	DESCRIPTION	PREAMP SCH SM MULTI
			DRAWING NO	OS07503B.SCH

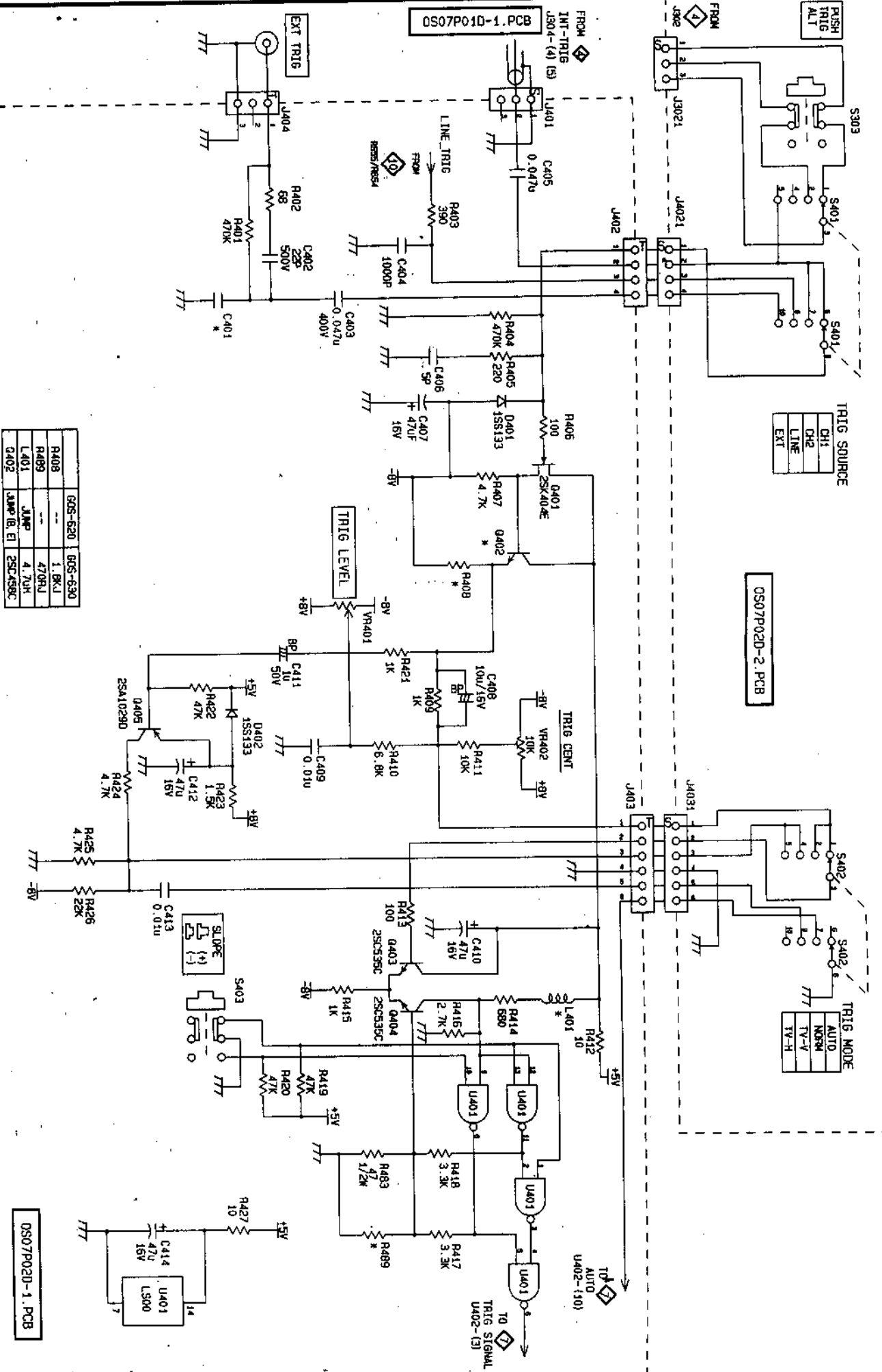
OS07P010-1.PCB

OS07P010-1.PCB



R344	120R/J	22R/J	60S-620	60S-630
C321	22P/J	33P/J		
C322	33P/J	10P/J		
C331	47P/J	22P/J		
Q307	25C752	25C841C		
Q308	25C752	25C841C		
Q310	25C988A	25C3601E		
Q313	25C988A	25C3601E		
Q314	25C988A	25C3601E		
Q315	25A648A	25A1407E		
Q316	25A648A	25A1407E		
L301	2.2uH	0.68uH		
L302	2.2uH	0.68uH		

DRAWN BY	CHECKED BY	APPROVED BY	MODEL NO	G0S-620/630
			DESCRIPTION	V-OUTSCAL
			DRAWING NO	0507S05B SCH



R408	605-620	605-630
R409	---	1.0KJ
L401	---	470RJ
Q402	JUMP (B, E)	2SC459C

DRAWN BY: [Signature]
 CHECKED BY: [Signature]
 APPROVED BY: [Signature]
 MODEL NO: G05-620/630
 DESCRIPTION: TRIG GEN
 DRAWING NO: OS07S06B.SCH

OS07P020-1.PCB

OS07P010-1.PCB

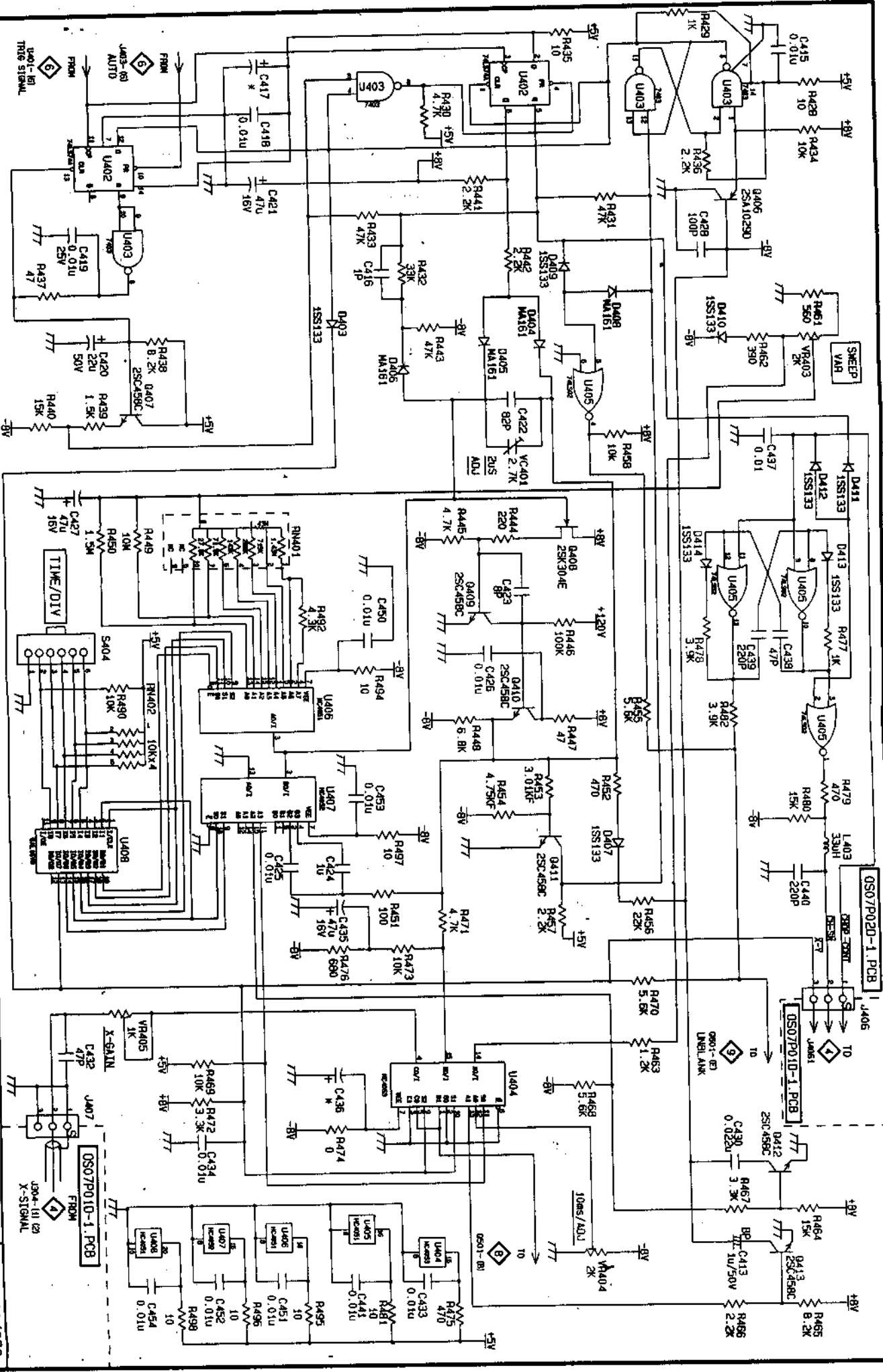
OS07P020-2.PCB

TRIG SOURCE

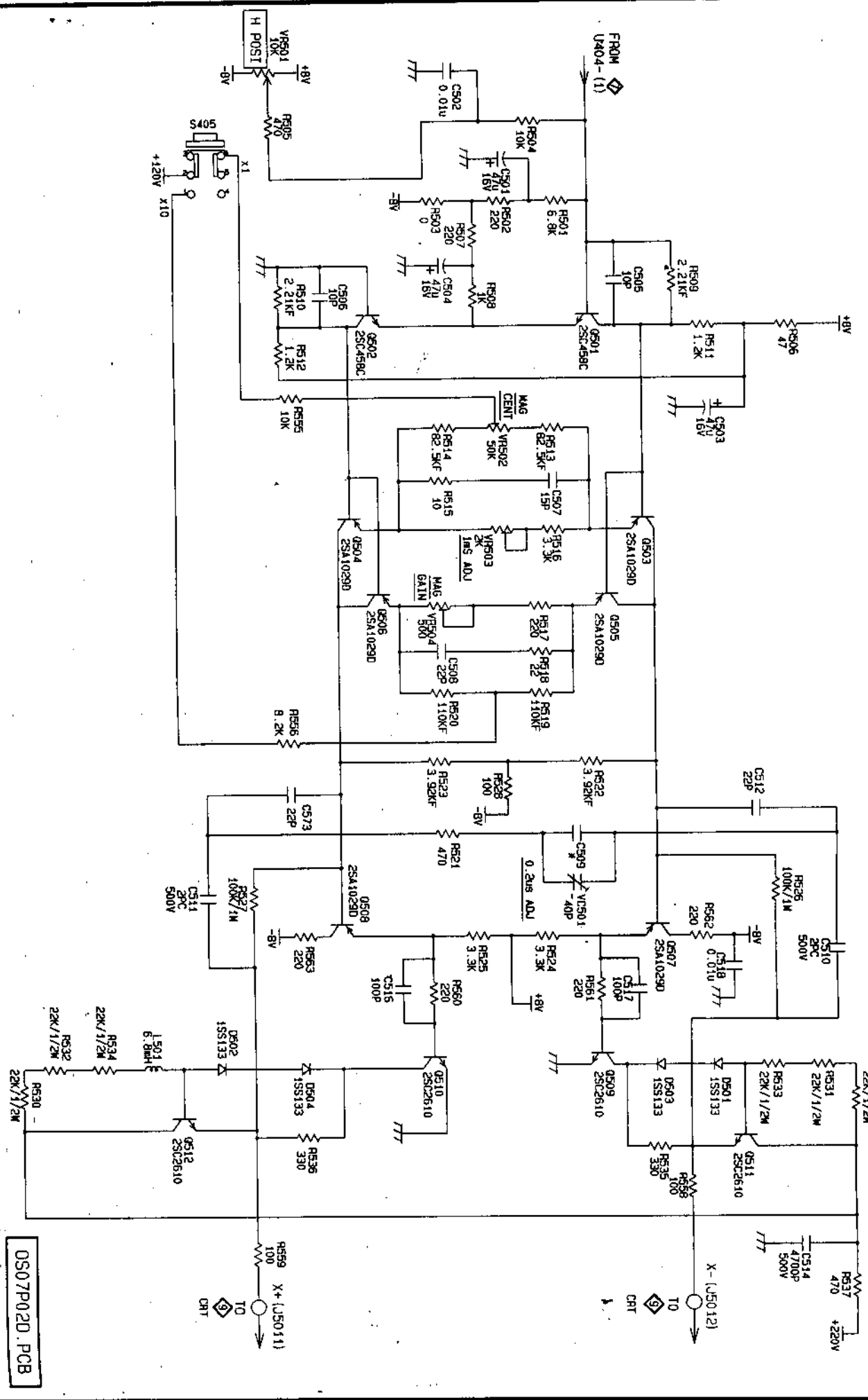
CH1	---
CH2	---
LINE	---
EXT	---

TRIG MODE

AUTO	---
NORM	---
TV-V	---
TV-H	---

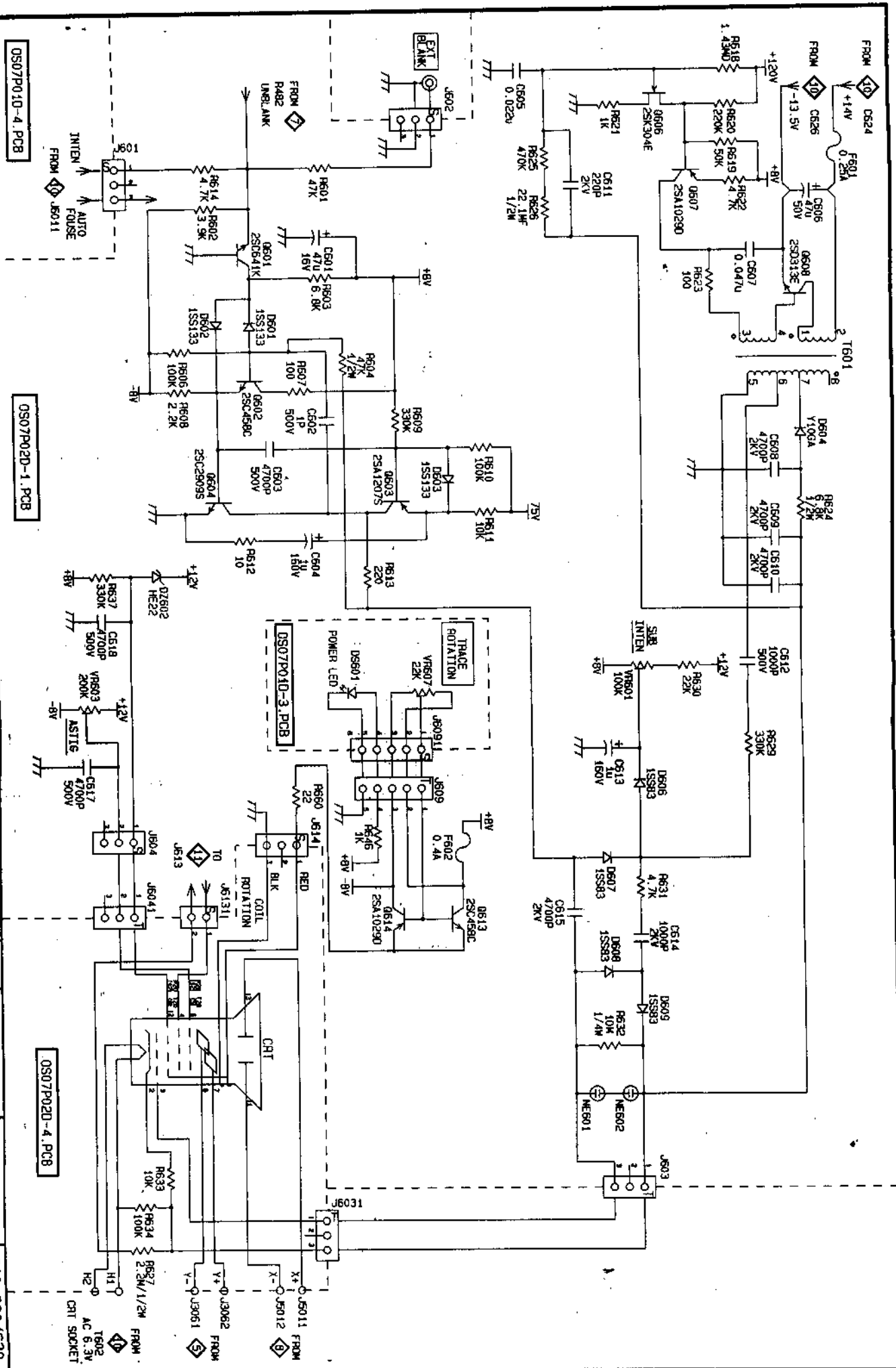


DRAWN BY	CHECKED BY	APPROVED BY	MODEL NO	GOS-620/630
			DESCRIPTION	SWEEP-GEN
			DRAWING NO	GOS7507B.SCH



0507P020.PCB

DRAWN BY 張國江	CHECKED BY 張國江	APPROVED BY 張國江	MODEL NO EOS-620/630
			DESCRIPTION H-AMP
			DRAWING NO 0507S08B.SCH



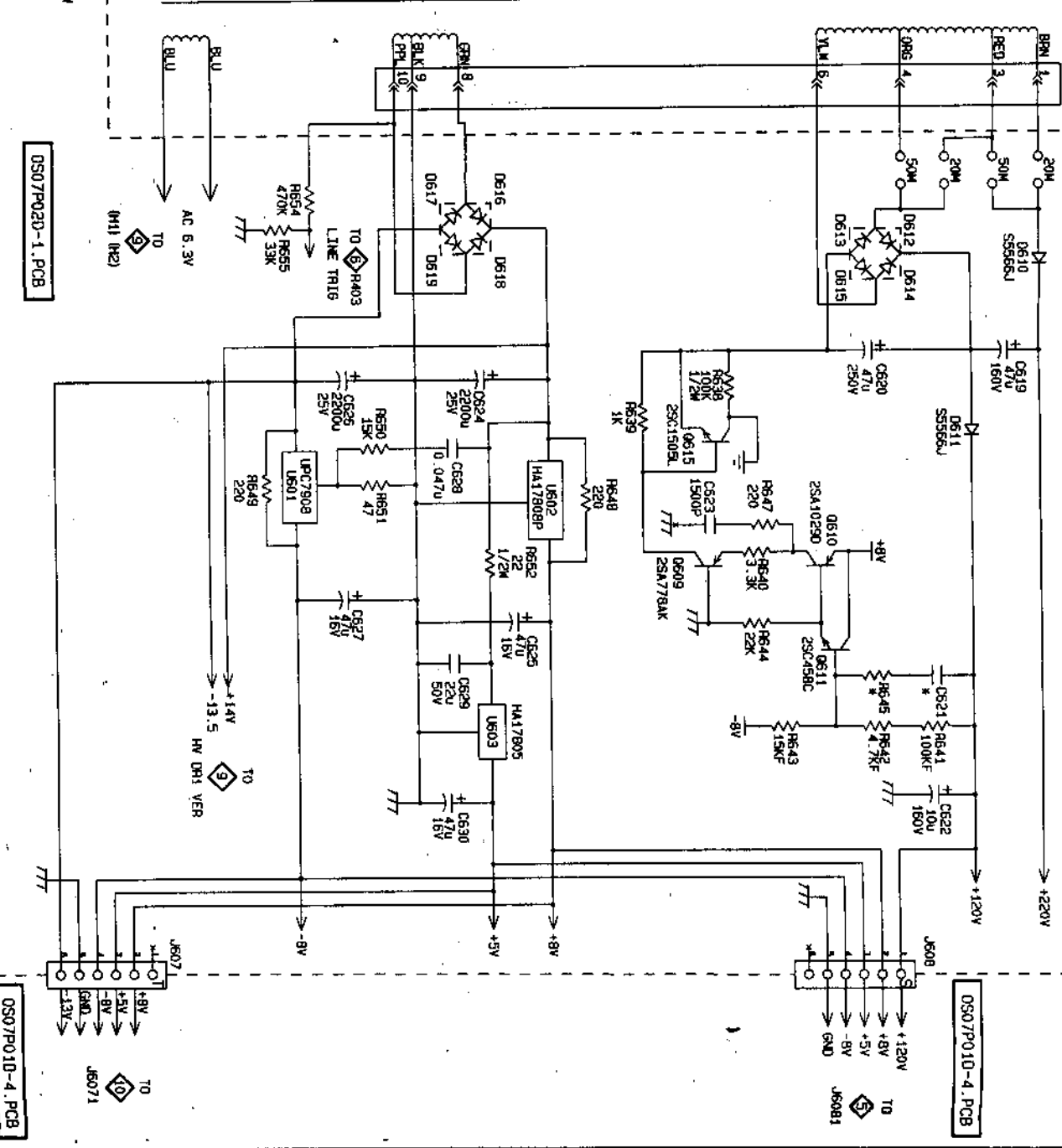
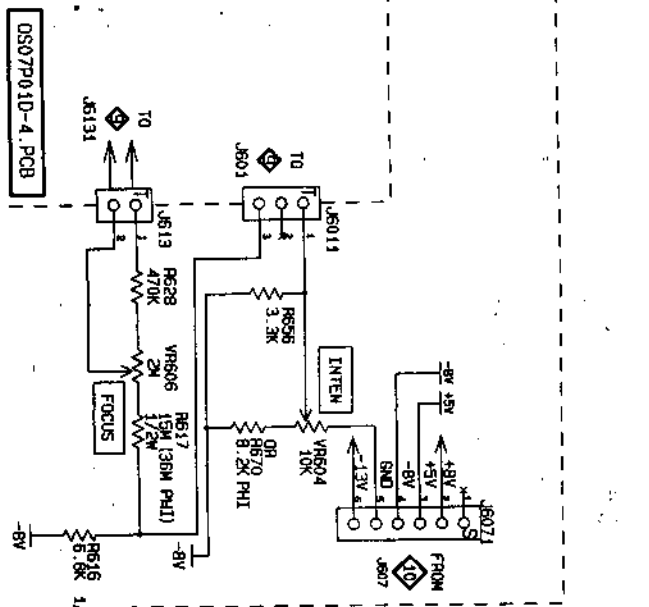
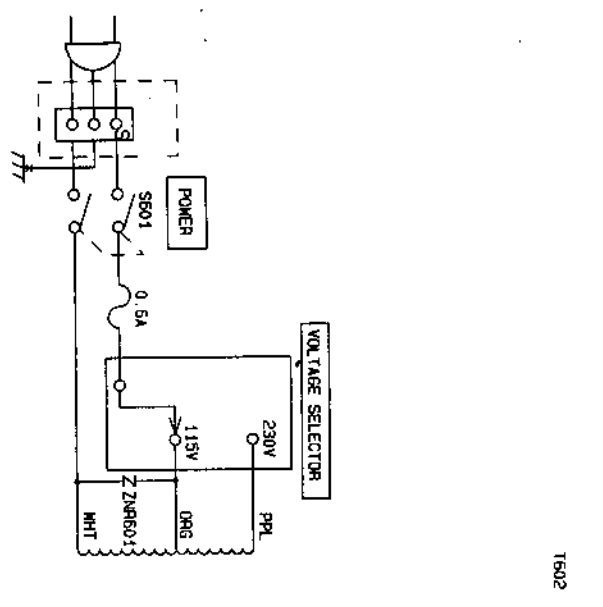
DS07P010-4.PCB

DS07P020-1.PCB

DS07P010-3.PCB

DS07P020-4.PCB

DRAWN BY	CHECKED BY	APPROVED BY	MODEL NO	60S-620/630
	1/78		DESCRIPTION	H.V. Z-AMP
			DRAWING NO	OS07S09B.SCH



OS07P010-4.PCB

OS07P020-1.PCB

OS07P010-4.PCB

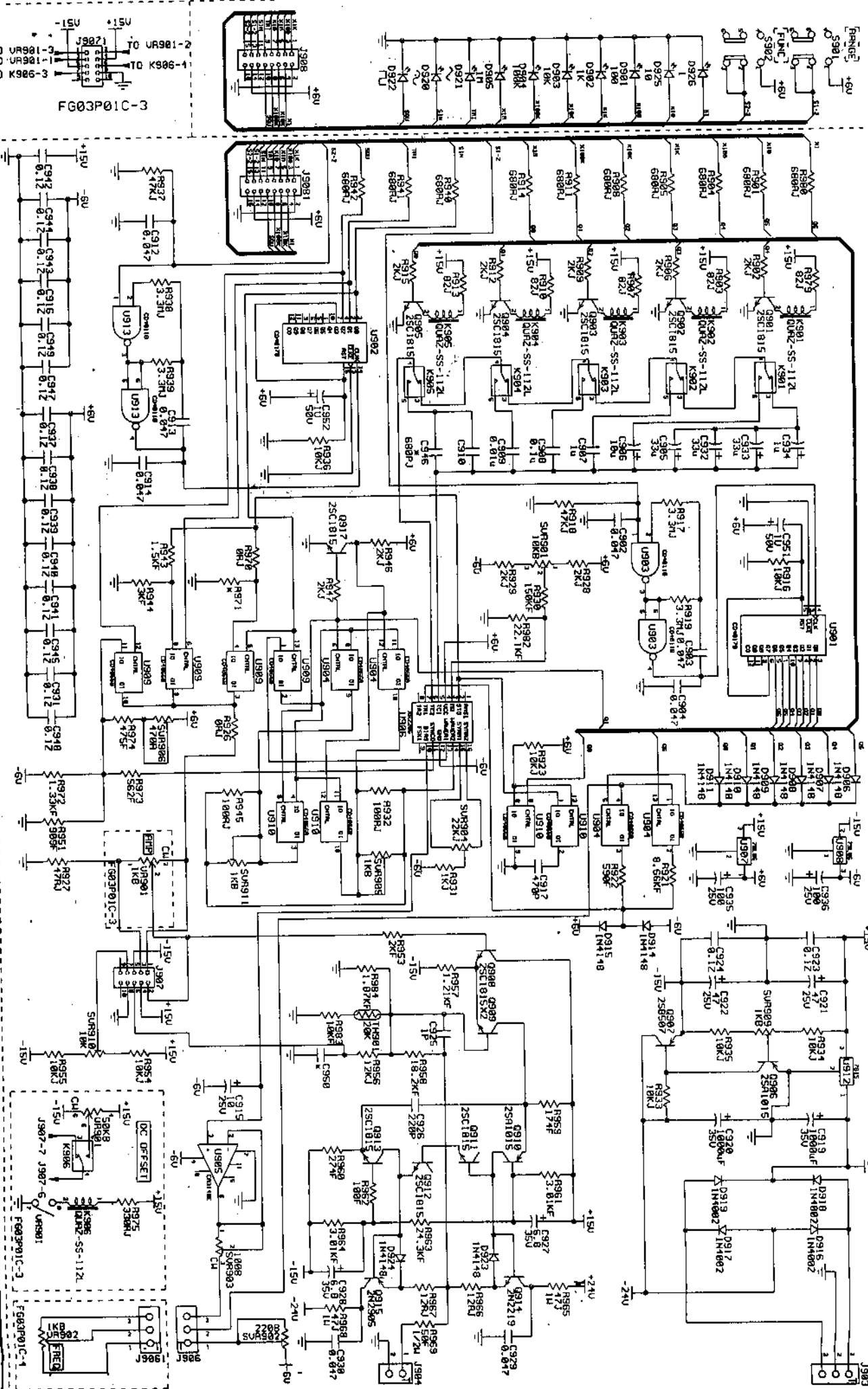
OS07P010-4.PCB

DRAWN BY	CHECKED BY	APPROVED BY	MODEL NO
張立江	張家輝	張家輝	GOS-620/630
DATE	DATE	DATE	DESCRIPTION
1/78	1/78	1/78	POWER-SUPPLY
			DRAWING NO
			OS07S10B.SCH

FG03P01C-2

FG03P01C-1

FG03P01C-3



The GOS-620FG has two parts, One is FG and the other is OS.
 This circuit is FG. The circuit of OS is the same with GOS-620.

DRAWN BY	CHECKED BY	APPROVED BY	MODEL NO.	GOS-620FG
			DESCRIPTION	FUNCTION
			DRAWING NO.	FG03P01D

