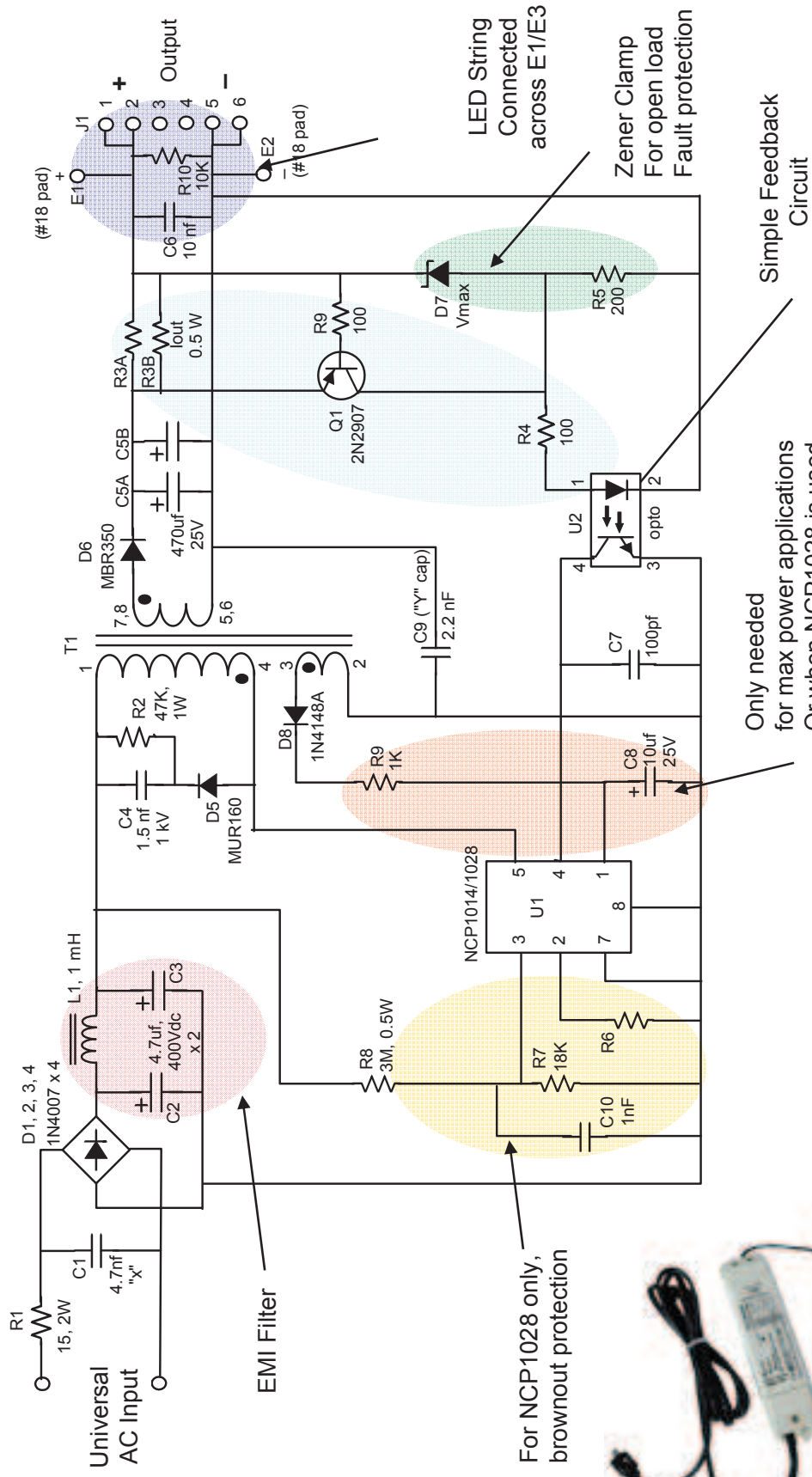


NCP1014/28 offline Gen2 LED driver



ON Semiconductor