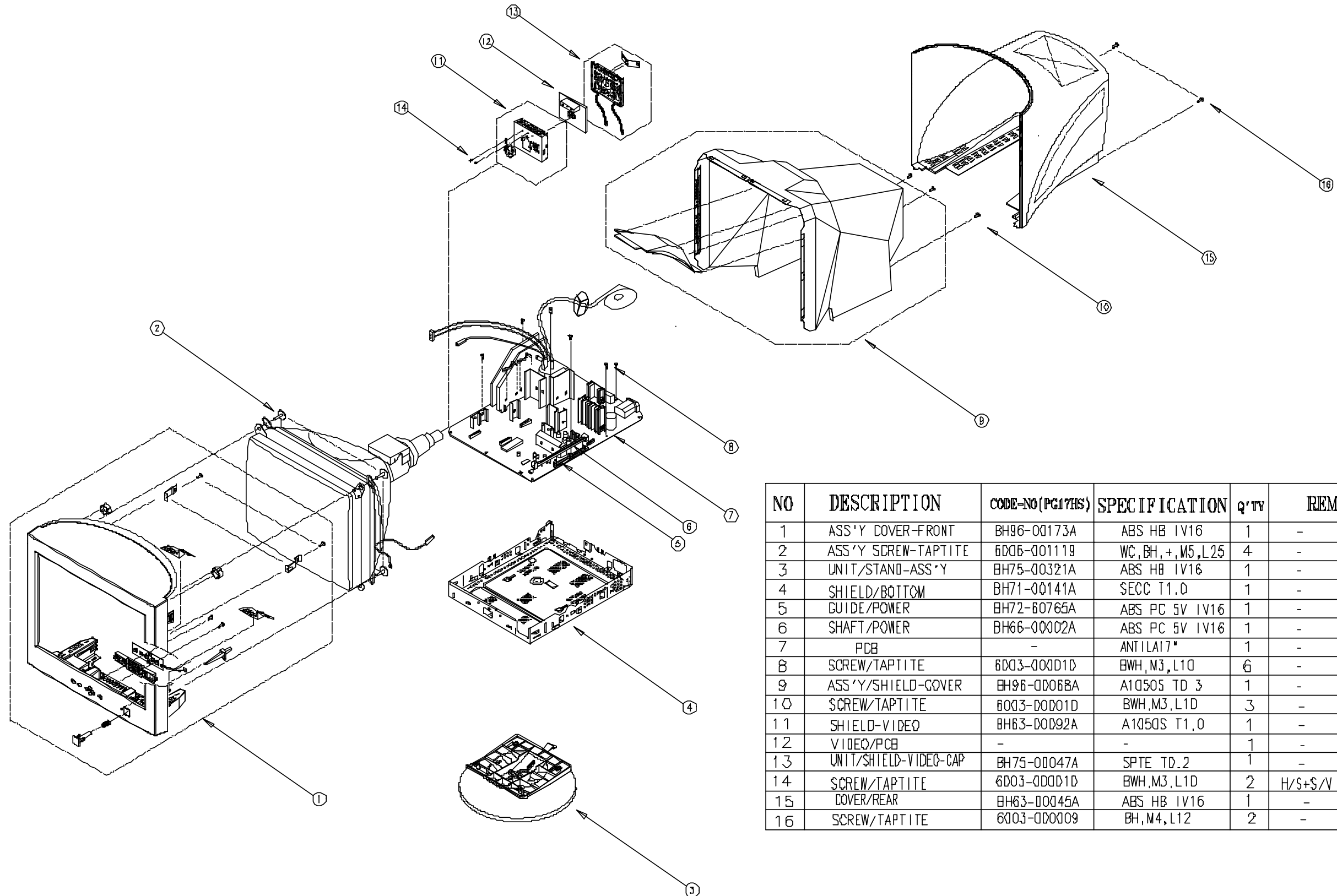


## 6 Exploded View and Parts List

\* You can search for updated part codes through CMS web site.  
 URL : <http://ecms.samsungelectronics.com/>

### 6-1 PU17IS



NO	DESCRIPTION	CODE-NO (PG17IS)	SPECIFICATION	Q'TY	REMARK
1	ASS'Y COVER-FRONT	BH96-00173A	ABS HB 1V16	1	- SA
2	ASS'Y SCREW-TAPTITE	6D06-001119	WC, BH, +, M5, L25	4	- SA
3	UNIT/STAND-ASS'Y	BH75-00321A	ABS HB 1V16	1	- SA
4	SHIELD/BOTTOM	BH71-00141A	SECC T1.0	1	- SNA
5	GUIDE/POWER	BH72-60765A	ABS PC 5V 1V16	1	- SNA
6	SHAFT/POWER	BH66-00002A	ABS PC 5V 1V16	1	- SNA
7	PCB	-	ANTILA17"	1	-
8	SCREW/TAPTITE	6D03-00001D	BWH, M3, L10	6	- SA
9	ASS'Y/SHIELD-COVER	BH96-00068A	A10505 TD 3	1	- SNA
10	SCREW/TAPTITE	6D03-00001D	BWH, M3, L10	3	- SA
11	SHIELD-VIDEO	BH63-00092A	A10505 T1.0	1	- SNA
12	VIDEO/PCB	-	-	1	-
13	UNIT/SHIELD-VIDEO-CAP	BH75-00047A	SPTD TD.2	1	- SNA
14	SCREW/TAPTITE	6D03-00001D	BWH, M3, L10	2	H/S+S/V SA
15	COVER/REAR	BH63-00045A	ABS HB 1V16	1	- SNA
16	SCREW/TAPTITE	6D03-000009	BH, M4, L12	2	- SA

6-2 PU19IS

NO	DESCRIPTION	CODE-NO	SPECIFICATION	Q'TY	REMARK
1	UNIT/COVER-FRONT	BH90-00011A	ABS HB IV16	1	SA
2	CDT	-	-	1	-
3	SCREW/TAPTITE	6006-000201	BH,M5,L30	4	SNA
4	SHIELD-BOTTOM	BH71-00141B	SECC T1.0	1	SNA
5	UNIT/STAND-ASS'Y	BH75-00335B	ABS HB IV16	1	SA
6	GUIDE/POWER	BH66-00002A	ABS PC IV16	1	SNA
7	SHAFT/POWER	BH72-60765A	ABS PC IV16	1	SNA
8	PCB	-	-	1	-
9	SCREW/TAPTITE	6003-000010	BH,M3,L10	7	SNA
10	UNIT/SHIELD-COVER	BH75-00280F	A1050S H14,T0.3	1	SNA
11	SCREW/TAPTITE	6003-000010	BH,M3,L10	3	SNA
12	COVER/REAR	BH72-00349B	ABS HB IV16	1	SA
13	SCREW/TAPTITE	6003-000009	BH,M4,L16	2	SNA
14	SCREW/TAPTITE	6003-000010	BH,M3,L10	2	SNA
15	SHIELD-VIDEO	BH63-00092A	A1050S.T1.0	1	SNA
16	VIDEO/PCB	-	-	1	-
17	UNIT/SHIELD-VIDEO-CAP	BH75-00047A	SPT E T0.2	1	SNA

