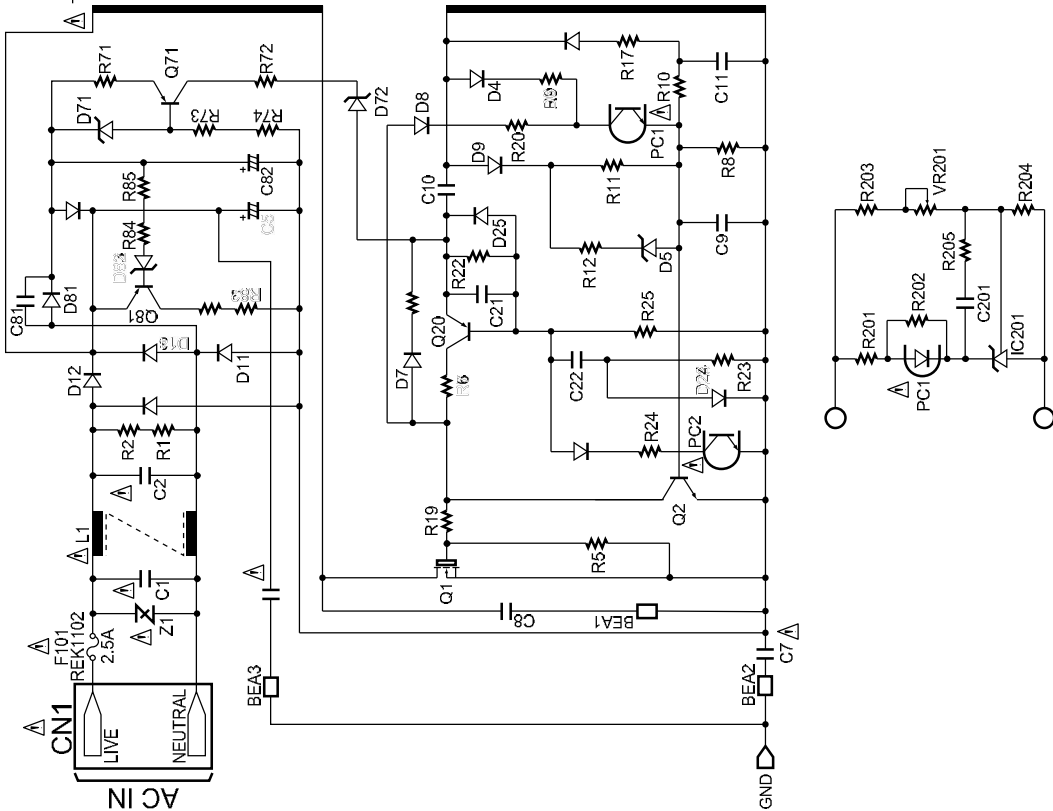




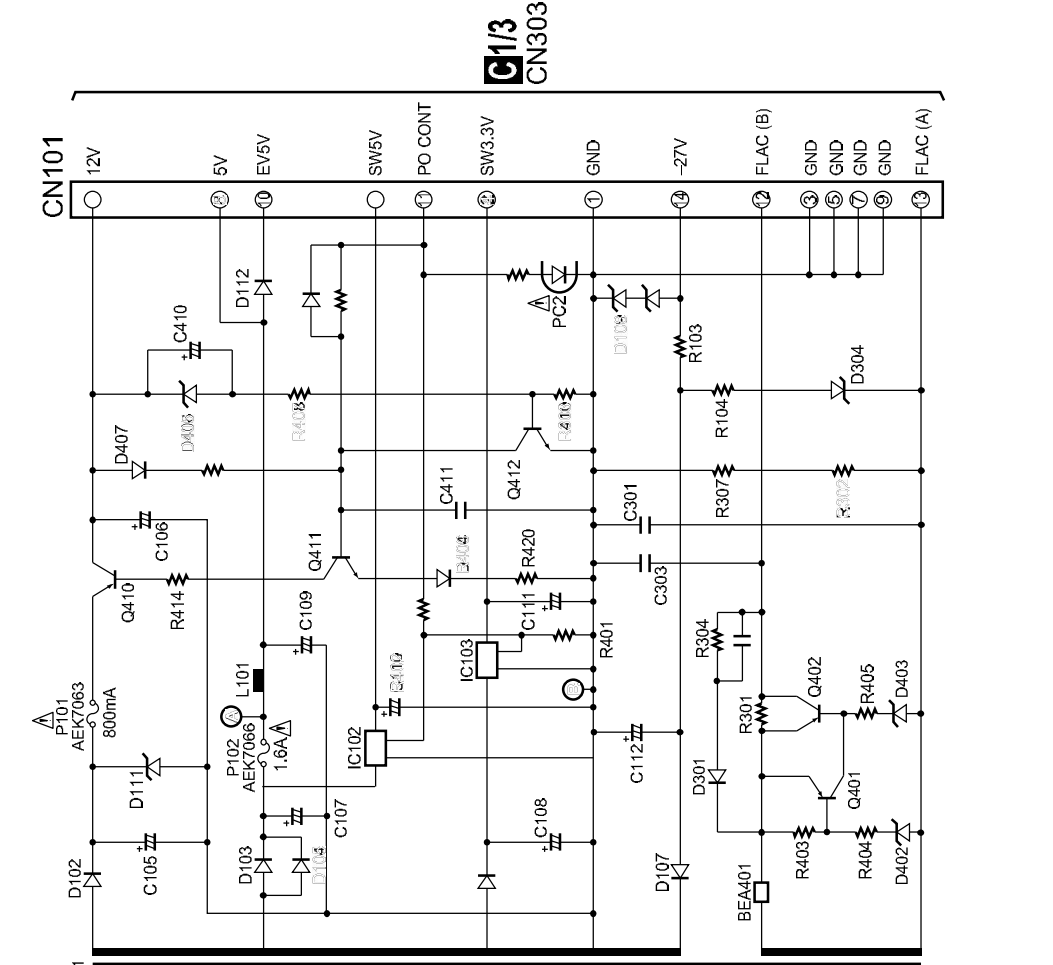
# POWER SUPPLY UNIT (VWR1340)

## « NOTE OF SPARE PARTS IN POWER SUPPLY (SYPS) UNIT »

- In case of repairing, use the described parts only to prevent an accident.
- Please write the red ✓ mark on the board when the primary section of POWER SUPPLY (SYPS) Unit is repaired.
- Please take care to keep the space, not touching other parts when replacing the parts.



## 3.12 POWER SUPPLY UNIT (VWR1340)



C1/3  
CN303

1

2

3

4

1

2

3

4