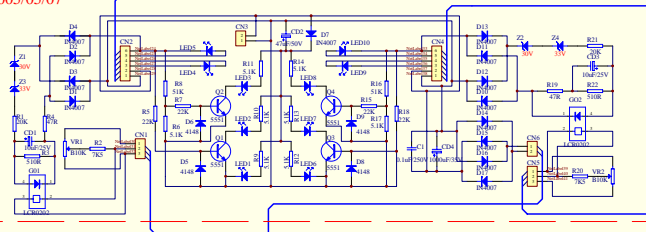
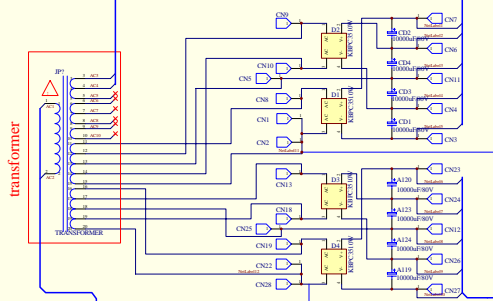


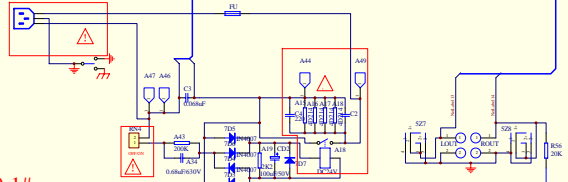
MAL-1#
L2005/05/07



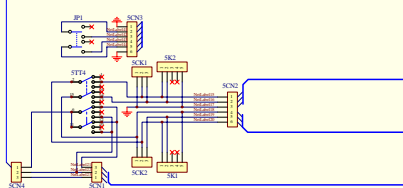
MAL-5#
L051207



CQC400-1#
S2005/07/05

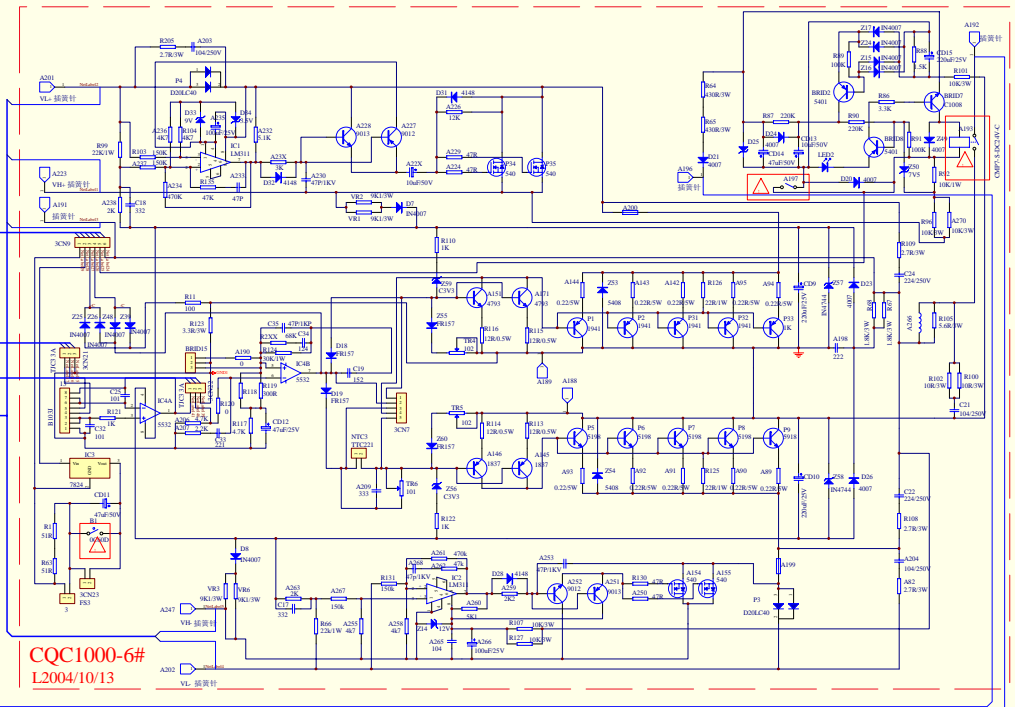


CP-6#
S2005-11-9



MODEL: P1200

CQC1000-6#
L2004/10/13



CQC1000-6#
L2004/10/13

