

Solenoid, sensors, switches, and motor

The following figure shows the locations of the solenoid, sensors, and switches.

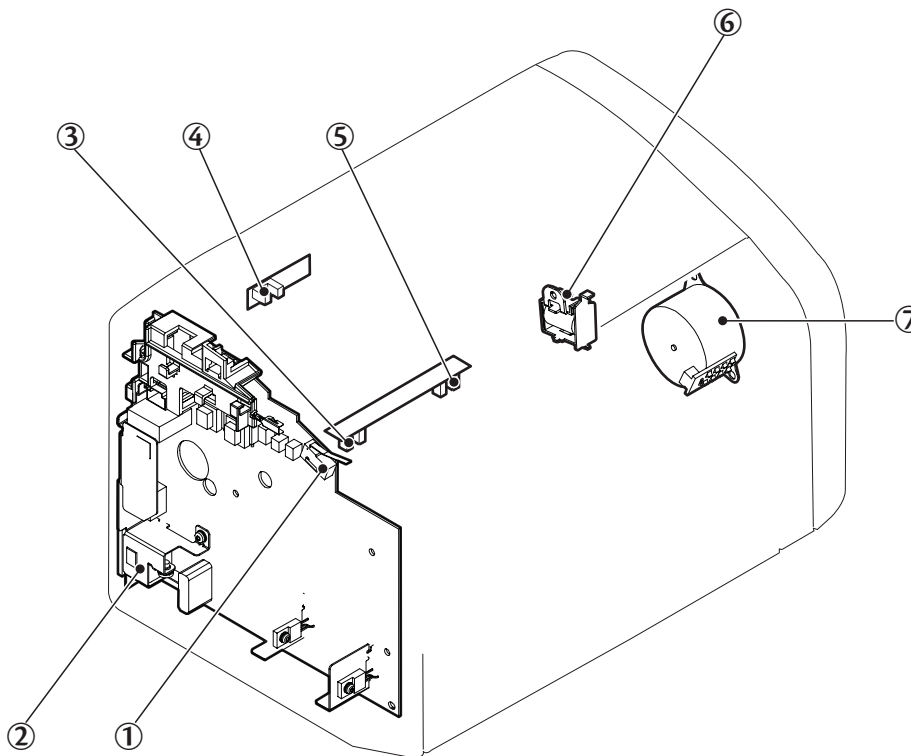


Figure 6-9 Solenoid, sensors, switches, and motor

1	The door switch detects whether or not the print-cartridge door is closed. Printing cannot continue until the print-cartridge door is closed.
2	Power switch
3	The paper-width sensor senses the width of the media.
4	The paper-delivery sensor senses when media has successfully moved out of the fusing area.
5	The top-of-page sensor detects the leading and trailing edges of the media. It synchronizes the photosensitive drum and the top of the media.
6	Solenoid
7	Motor