



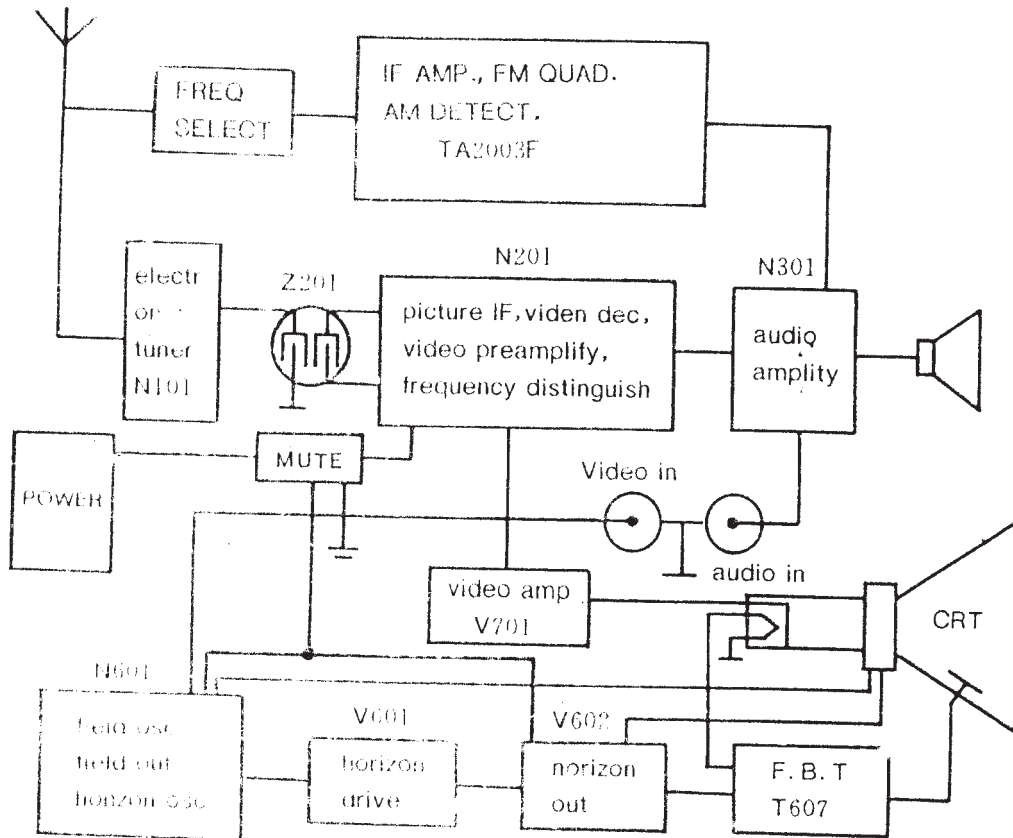
TVM-1003K/S

Service Manual - TVM-1003EK/S

NO	TEST		UNIT	NOMINAL	CHANNEL	RESULT	
						1#	2#
1	NOISE LIMITED SENSITIVITY	VHFL	Uv	≤ 67	2	63	50
		VHFH	Uv	≤ 67	12	63	50
		UHF	Uv	≤ 83	50	56	45
2	PICTURE LIMITED NOISE SENSITIVITY	VHFL	Uv	≤ 200	2	190	192
		VHFH	Uv	≤ 200	12	197	200
		UHF	Uv	≤ 250	50	240	243
3	AGC	VHFL	dB	≥ 60	2	68	70
		VHFH	dB	≥ 60	12	68	72
		UHF	dB	≥ 60	50	70	68
4	S/N RATIO	VHFL	dB	≤ -30	2	-39	-38
		VHFH	dB	≤ -30	12	-40	-38
		UHF	dB	≤ -30	50	-42	-42
5	PICTURE SICE	HORIZONTAL	%	≥ 85	2	90	85
		VERTICAL	%	≥ 90	2	91	93
6	MAXIMUMSOUND POWER OUTPUT		W	≥ 0.5	2	0.75	0.7
7	IMAGE CENTERING		LINE	≥ 300	2	320	320
8	IF LIMITED		dB	≥ 40	2	55	42

NO	TEST			UNIT	NOMINAL	CHANNEL	RESULT		
							1#	2#	
9	SELECTIVITY	≤ 1.5 HMZ	VHFL	dB	≥ 20	2	21	25	
			VHFH	dB	≥ 20	12	35	40	
			UHF	dB	≥ 20	50	20	35	
		$\leq +8$ MHZ	VHFL	dB	≥ 25	2	43	42	
			VHFH	dB	≥ 25	12	40	56	
			UHF	dB	≥ 25	50	40	42	
10	IMAGE REJECTION			VHFL	dB	≥ 40	2	75	70
				VHFH	dB	≥ 40	12	50	54
				UHF	dB	≥ 40	50	47	45
11	SOUND AM SUPPERSSION REJECTION			dB	≥ 40	2	40	44	
12	SCANNING NON LINCAL DISTORTION		HORIZONTAL	%	≤ 20	2	<20	<20	
			VERTICAL	%	≤ 15	2	<15	<15	
13	PICTURE DISTORION			%	≤ 3	2	<3	<3	
14	CONTRAST CONTROL RANGE				≥ 50	2	133	102	
15	MAXIMUM BRIGHTNESS			cd/m ²	≥ 100	2	160	119	
16	POWER OUTPUT			W	≤ 20	2	18.5	18	

POS	DESCRIPTION		UNIT	NOMINAL	RESULT	
					1#	2#
1	FM SECTION (AT 98MHZ/30%MOD)	S/N RATIO	dB	47	48	49
		USABLE SENSITIVITY	Uv	40	38	37
		SELECTIVITY	dB	12	15	15
		MAX USEFUL POWER	W	0.5	0.7	0.5
2	AM SECTION (AT 1000KHZ/30%MOD)	S/N RATIO	dB	40	44	45
		USABLE SENSITIVITY	MV/m	5	4.5	4.5
		SELECTIVITY	dB	12	14	15
		MAX USEFUL POWER	W	0.5	0.5	0.6



ALIGNMENT

TV SECTION

Regulator Adjustment

Note: Misadjustment of the low voltage regulator or the horizontal oscillator may result in damage the horizontal output or pulse limiter diode. The following procedures are recommended to insure reliable operation.

1. Connect the TV to an AC power supply or DC 12V.
2. Adjust vertical and horizontal oscillator controls until picture is synchronized.
3. Connect a Dc digital voltmeter, or other Precision accuracy voltmeter, to the emitter of the regulator output transistor (or any 12V test point). 4)

Horizontal Oscillator Adjustment

Adjust horizontal hold R605 until the picture holds in sync at the center.

Deflection Yoke

When the raster lines do not appear to be horizontal, loosen the screws the deflection yoke. Press the deflection yoke hard against the root of the neck of the picture tube, and then turn the yoke to the right or left so that the scanning lines become horizontal.

Raster Centering

The Centering device is attached to attached to the rear of the deflection yoke with two levers , Turn these two levers alternately until the picture comes to the center of the screen.

GENERAL ALIGNMENT INSTRUCTIONS .

Video IF Alignment

1. Preparation:

To prevent the signal from getting in the vertical and horizontal oscillation circuit, connect the Lead wire to the if point of the tuner and tuner ground.

2. Test Equipment Connection

Oscilloscope Connect to N201 pin 3 .

Sweep Generator: Connect through a matching pad to the tuner IF pin.

Marker Generator: Couple loosely to the output cable of the sweep generator.

DC Power supplies: Add DC+4.8V of AGC voltage to IC202 pin 4.

Add DC+12V to the DC jack.

Adjust the sweep generator to	The lowest signal level	Consistent with usable sensitivity
Step	Sweep frequency	Marker frequency
50% amplitude of 38.9MHz	25-50MHz	System M9 40MHz

Sound IF alignment

1. Preparation:

Add DC 12V to the DC jack.

2. Test Equipment Connection:

Signal Generator: Connect to the tuner ANT input through a matching pad.

Oscilloscope: Connect to speaker terminal.

ALIGNMENT PROCEDURE

Step	Generator	Scope	Adjust	Remarks
Adjust the sound detection coil	Philips test pattern with 1KHz sound modulation internally	Speaker terminal	L203	Adjust L203 so the 1KHz signal in the scope is maximum

Vertical Deflection Alignment

1. Tune the TV to a test pattern.

2. Adjust the V size control VR511 until the largest circle inside the test pattern reaches the edge of the picture tube.

Deflection Yoke

When the teanning lines of the raster are not horizontal or corner shades appear, loosen the screw securing the deflection yoke and press the deflection yoke hard against the root of the picture tube. Then turn it to the right so that the scanning lines of the raster appear horizontal.

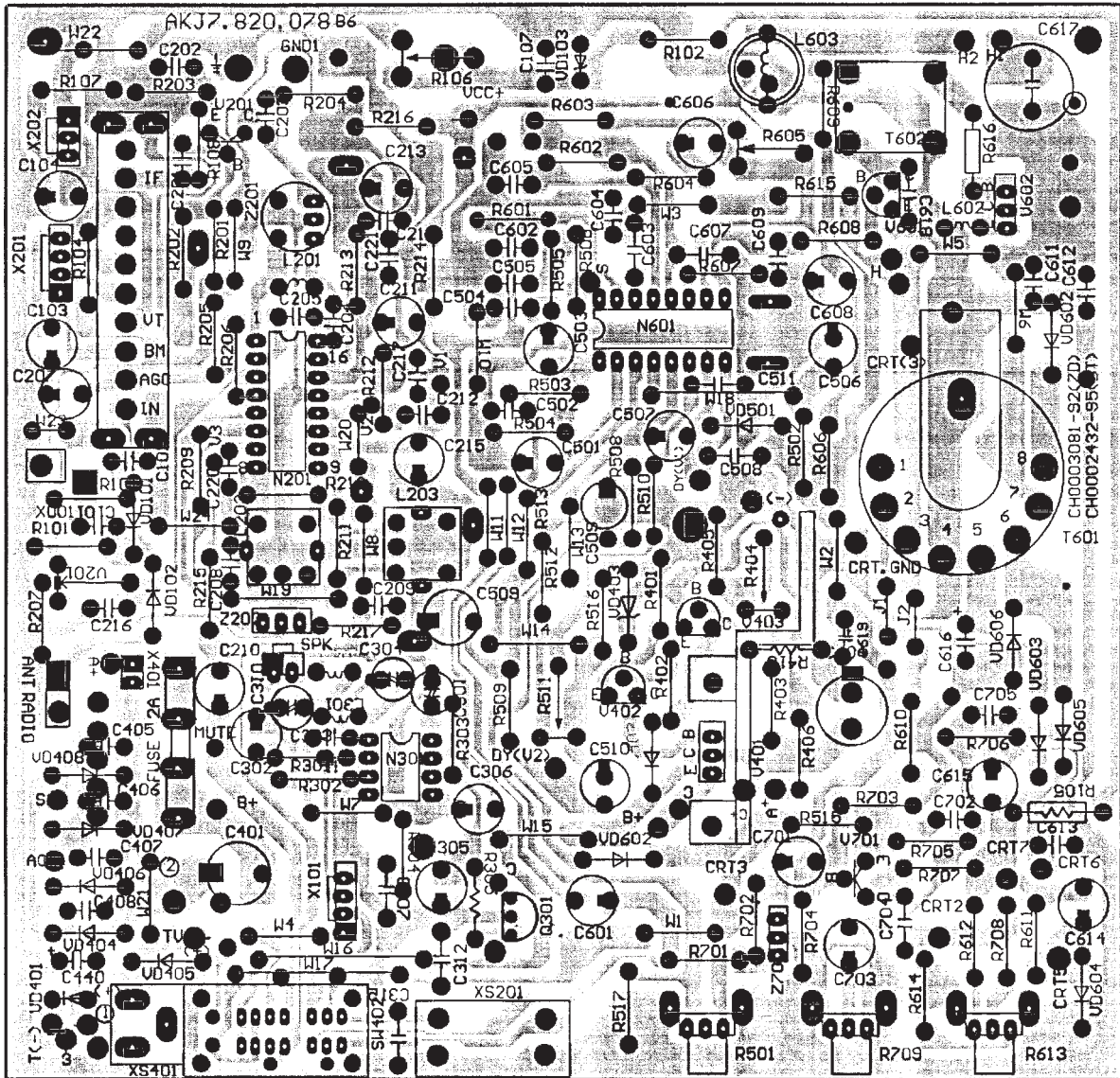
Raster Centering

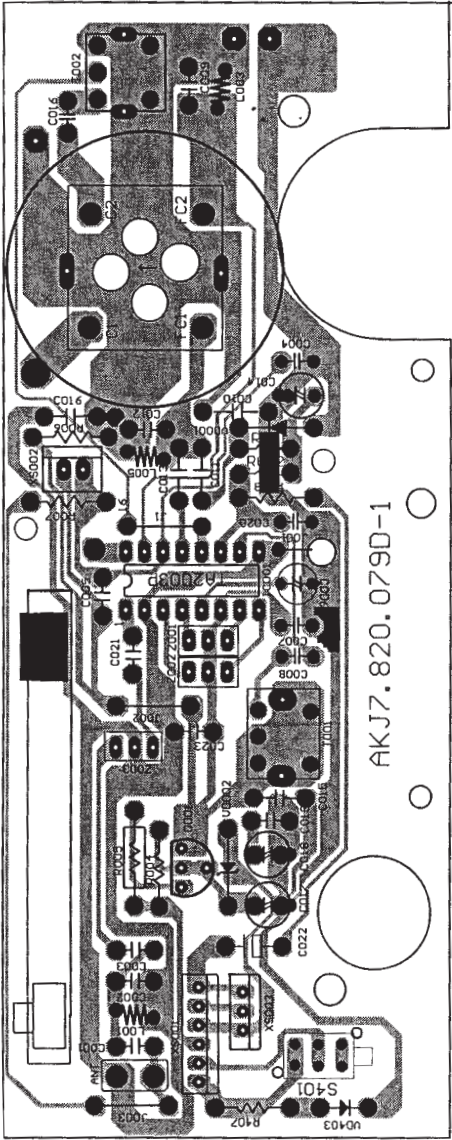
The centering device is attached with two levers to the rear of the deflection yoke. Turn these two levers alternately until the picture comes to the center of the screen.

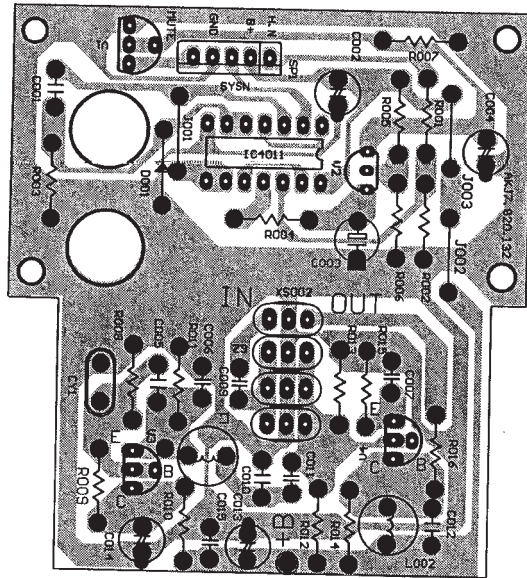
TROUBLESHOOTING

Symptom	Cause	Remedy
TV does not operate	<ul style="list-style-type: none"> . Defective power switch . Defective IC201 . Broken wire in fly back transformer (FBT) . Defective transistor (V401 V402) . Broken wire in transformer (T601) . Defective BRIGHT control (R613) 	<ul style="list-style-type: none"> Replace . Check voltage of IC201. Replaced as needed. . Check voltage and waveform of FBT. Replaced as needed. . Check voltage of (V401 V402) Replaced as needed . Check waveform of T601. Replaced as needed. . Replace .
Picture does not appear	<p>A. Sound OK</p> <ul style="list-style-type: none"> . Defective IFT Z201 . Broken wire in picture tube socket. <p>B. NO sound and no snow on screen</p> <ul style="list-style-type: none"> . Defective transistor (V201) . Defective IC (IC102) . <p>C.NO sound but snow on screen</p> <ul style="list-style-type: none"> . Defective IC (IC201) . Defective TV tuner. . Poor contact in antenna . 	<ul style="list-style-type: none"> . Check voltage of Z201 Replace as needed Replace . Check voltage of V201 Replace as needed . Check voltage of IC201 Replace as needed . Check voltage of IC201 Replace as needed. . Check voltage of TV tuner. Replace as needed . Repair

Symptom	Cause	Remedy
NO sound	. Defective IC (IC301)	. Check voltage of IC301 Replace as needed.
Horizontal and Vertical Synchronization are not good	. Defective IC601	. Check voltage of IC601 Replace as needed.
Horizontal synchronization is not good	. Defective R603 . Defective H-HOLD control (R605)	. Check voltage of R603 Replace as needed. . Replace
Vertical synchronization is not good	. Defective IC (IC601) . Defective V-HOLD control (R511)	. Check voltage of IC601 Replace as needed . Replace as needed
Only one horizontal line	. Defective IC (IC601) . Defective D.Y	. Check voltage of IV601 Replace as needed . Replace as needed
Reduction whole screen	. Damaged regulators (VD403 R404)	. Check voltage of VD403 R404 . Replace as needed
Dark raster	. Defective CRT neck PCB	. Check voltage of CRT neck PCB Repair
TV ok without radio	. Defective VD002 or Q001 . Defective TA2003	. Check VD002 or Q001 Replace as needed . Check TA2003 Replace as needed
Radio band FM ok but radio band AM is not good	. Defective L005 C016 or C006 . Defective TA2003	. Check and replace as needed . Check TA2003 Replace needed
Radio	. Defective C001 C002 C003 T001 . Defective TA2003	. Check and replace as needed







MUTE PCB (TOP VIEW)

MECHANICAL PARTS LIST

Ref No.	Description	Q'TY	Mfr's Part NO
	Main PCB Assembly		
1	Front Case	1	
2	Rear Case	1	
3	Main PCB	1	AKJ7.820.078B4
4	Radio PCB	1	AKJ7.820.079A
5	CRT (10INCH)	1	35001023
6	Scale Sheet	1	
7	Band Knob	1	
8	Speaker	1	35003003
9	Ear Phone Socket	1	30110003
10	D.Y	1	18070003
11	Mark Panel	1	30110000
12	Taing Variable Resistors	1	
13	Sound Variable Resistors	1	
14	Stander	1	
15	ANT Jack	1	30110024
16	Wire Locker	1	
17	Washer (Φ3)	1	
18	Welding Pad	1	
19	Washer (13)	1	
20	Nut	1	
21	Screw (3.5*14)	4	
22	CRT Stander	1	
23	Screw (3*8)	4	
24	Variable Resistors Stander	1	
25	Screw (2.5*4)	3	
26	Ear Washer	1	
27	Screw (3*6)	2	

RESISTORS

(ALL are +/-5% 1/4W Carbon film Unless noted other wise)

Ref No.	Description	Q'TY	Mfr's Part NO.
R304	1ohm	1	10011011
R516 R305	2.2ohm	2	10012211
R216 R502 R702	10 ohm	3	10011021
R203	33 ohm	1	10013321
R303	56 ohm	1	10015621
R108	75ohm	1	
R515 R104	120 ohm	2	10011231
R512	150 ohm	1	10011531
R204	180 ohm	1	10011831
R206 R710 R706	220 ohm	3	10012231
R401 R601 R606 R302	330 ohm	4	10013331
R217	510ohm	1	10015131
R219	560 ohm	1	10015631
R509	750 ohm	1	10016231
R102 R202 R209 R212 R406 R608 R706 R802	1kohm	8	10011041
R205 R107	1.2kohm	2	10011241
R403	1.5kohm	1	10081541
R607 R801	2.2kohm	2	10012241
R405	2.4kohm	1	10012441
R604	3.9kohm	1	10013941
R506	4.7kohm	1	10014741
R510	5.1kohm	1	10015141
R207 R402	5.6kohm	2	10015641
R707	6.2kohm	1	10016241
R201	6.8kohm	1	10016841
R703 R508	8.2kohm	2	10018241
R504 R505 R603 R803	10kohm	4	10011051
R503 R704	12kohm	2	10011251
R610 R517 R105	15kohm	3	10011551
R215	18kohm	1	
R513 R615	24kohm	2	10012251
R602	68kohm	1	10015651
R211 R708 R614	100kohm	3	10011061
R612	270kohm	1	10012761
R213	820kohm	1	10018261
R633 R804	10mohm	2	10011081

RESISTORS

(ALL are +/-5% 1/4W oxide resistor Unless noted other wise)

Ref No.	Description	Q'TY	Mfr's Part NO.
R214	10ohm	1	10111021
R609	100ohm	1	10111031

VARIABLE RESISTORS

Ref No.	Description	Q'TY	Mfr's Part NO.
R511	WH151-B2-X-470 Ω	1	12025104
R404	WH1551-B2-X-1K5	1	11008154
R605 R208	WH151-B2-X-10K	2	12029205
R106	WH151-B2-X-50K	1	11012505
R709	WH109-1B-1K-C-U20	1	11018476
R501	WH109-1B-20K-A-U20	1	12029205
R613	WH109-1B-1M-A-U20	1	12064107

CAPACITORS

Ref No.	Description	Q'TY	Mfr's Part NO.
C702 C511 C203 C201 C204 C205 C102 C216 C303	Ceramic 102pF/50V +80% -20%	9	21221042
C6	Ceramic 472pF/50V +80% -20%	1	21324742
C202 C214 C221 C217 C311	Ceramic 103uF/50V +80% -20%	5	21321052
C208	Ceramic 223uF/50V +80% -20%	1	21322252
C107	Ceramic 103uF/160V +80% -20%	1	
C705 C212	Ceramic 470pF/50V +80% -20%	2	22524732
C510	Electrolytic 2200uF/10V +80% -20%	1	20072240
C606 C503 C210	Electrolytic 1uF/16V +80% -20%	3	20001010
C601	Electrolytic 2.2uF/16V +80% -20%	1	20002210
C103 C310 C440 C701	Electrolytic 10uF/16V +80% -20%	4	20001020
C608 C509 C207	Electrolytic 47uF/16V +80% -20%	3	20004720
C507 C213 C301 C302	Electrolytic 100uF/16V +80% -20%	4	20001030

CAPACITORS

Ref No.	Description	Q'TY	Mfr's Part NO.
C706 C306 C215 C304	Electrolytic 220uF/16V +80% -20%	4	20002230
C506 C305	Electrolytic 470uF/16V +80% -20%	2	20004730
C501	Electrolytic 1uF/25V +/-10%	1	20001012
C616	Electrolytic 220uF/25V +80% -20%	1	20012230
C401 C404	Electrolytic 1000uF/25V +80% -20%	2	20001040
C211 C104	Electrolytic 0.47uF/50V +80% -20%	2	20004710
C614 C615	Electrolytic 3.3uF/160V +80% -20%	2	20043310
C602	Mylar 102pF/63V +80% -20%	1	23021040
C618	Mylar 472pF/63V +80% -20%	1	23024740
C605 C505	Mylar 10nF/63V +80% -20%	2	23021050
C307	Mylar 22nF/63V +80% -20%	1	23022250
C504	Mylar 33nF/63V +80% -20%	1	23023350
C502 C604 C312	Mylar 47nF/63V +80% -20%	3	23044750
C704 C603 C508	Mylar 100nF/63 +80% -20%	3	23021060
L603	Mylar 1.75uF/50V +/-10%	1	
C607	Mylar 562pF/100v +80% -20%	1	23064740
C612	Mylar 22nF/400v +80% -20%	1	23062253

DIODES

Ref No.	Description	Q'TY	Mfr's Part NO.
VD103	UPC574	1	16100008
VD501 VD410	1N4004	2	16000006
VD604 VD605	2DG1A	2	16200010
VD606	2CN4D	1	16200013
VD602	2CN3E	1	16200012
VD101 VD102 VD402 VD502	1N4148	4	16200000
VD403	2CW54	1	16100002

TRANSISTORS

Ref No.	Description	HFE	Q'TY	Mfr's Part NO.
V201	9018H	50-120	1	16300010
V602	2SC2233 OR 2SD949	30-100	1	16320023
V403	2SA733	120-240	1	16300000
V402	2SC1815	70-140	1	16300022
V601	9013H	70-140	1	16300001
V701	3DA87B OR 2N5551	80-160	1	16300006
V401	2SB834Y	100-300	1	16300012

COILS

Ref No.	Description	Q'TY	Mfr's Part NO.
L203	10LV-233A	1	18030001
C617	LSR-11	1	
L202	XP-38.9MHZ	1	17030000
L602	DZL-0.2uH	1	18000002
L301	PL-8-100uH	1	18000014
L302	PL-8-1uH	1	18000016

INTE GRATED CIRCUITS

Ref No.	Description	Q'TY	Mfr's Part NO.
N201	KA2913A OR TA7678A	1	16790017
N301	KA2201N OR D820	1	16790004
N601	KA2133 OR UPC1379	1	16790000

INTE GRATED CIRCUITS

Ref No.	Description	Q'TY	Mfr's Part NO.
N101	TUNER UVD-6101-EB3	1	17040022
Z201	FILTER 38.9MHZ	1	17000002
Z202	FILTER SEF 5.5MHZ	1	17000013

Ref No.	Description	Q'TY	Mfr's Part NO.
XS102	EAR PHONE SOCKET CKX2-3.5 (3F13-1)	1	30110003
XS401	DC JACK CZNX2-2.5-1(TX3-Z2)	1	30100000
SW402	SWITCH SK43D03G10	1	30010009
SW403	RECHARGE SWITCH SK22F03G10	1	30010003
SW101	SWITCH BK23D01M14	1	30010024
XS201	A/V SOCKET SVCZ003	1	30120011
F401	AV FUSE RF1-20-2A	1	35000000

Ref No.	Description	Q'TY	Mfr's Part NO.
CRT SOCKET	GZST -1BY	1	30110000
DY	QPH20-90-N9B	1	18070003
FBT	BSH11-N01L	1	18080003
CRT	C10M60P4TVG-PB	1	35001023
AC ADAPTOR	VD-1312	1	35006020
WIRE LOCKER	TL7-150-III-S	1	
MAIN PCB	AKJ7.820.078B5	1	
CRT PCB	AKJ7.820.080A	1	
SWITCH PCB	AKJ7.820.081	1	
ANT PCB	AKJ7.820.082	1	
AUDIO MUTE PCB	AKJ7.820.132	1	
SPEAKER	YD66-1B(2")	1	35003003

JUMPER WIRES

Ref No.	Description	Q'TY	Mfr's Part NO.
W23 25	5mm	2	
W20 W22	7.5mm	2	
W1-5 W7-13 W21 W24	10mm	14	
W6 W14 W15 R616	12.5mm	4	
W19	15mm	1	
W18	21mm	1	
W16 W17	23mm	2	

REMARK

Ref NO.	Description	PAL-B/G	SECAM-D/K	NTSC-M	Q'TY	Mfr's Part NO.
N101	TUNER	UVD6101-EB1	UVD6201-QB	UVD8201-AB	1	17040001
L202	RESONATOR	38.9MHZ	38.0MHZ	45.75 MHZ	1	17030000
Z201	SAW FILTER	38.9MHZ	38.0 MHZ	45.75 MHZ	1	17000002
Z202	FILTER	5.5MHZ	6.5 MHZ	4.5 MHZ	1	17000013
Z701	FILTER TPS	5.5MHZ	6.5 MHZ	4.5 MHZ	1	17010001
AC ADAP		VD-1312	UD-1310D	UD-1310C	1	35006020

MISCELLANEOUS

Ref No.	Description	Mfr's Part NO.
V1 DY	Wire 210mm Green RV1*12/ 0.15	31012105
V2 DY	Wire 210mm Blue RV1*12/ 0.15	31012106
H1 DY	Wire 210mm Red RV1*12/ 0.15	31012102
H2 DY	Wire 210mm Black RV1*12/ 0.15	31012100
CRT Socket PCB(1) TO Main PCB(CRT6)	Wire 210mm Blue RV1*12/ 0.15	31012106
CRT Socket PCB(2) TO Main PCB(CRT5)	Wire 210mm Yellow RV1*12/ 0.15	31012104
CRT Socket PCB(3) TO Main PCB(CRT GND)	Wire 210mm Black RV1*12/ 0.15	31012100
CRT Socket PCB(4) TO Main PCB(CRT3)	Wire 210mm White RV1*12/ 0.15	31012109
CRT Socket PCB(5) TO Main PCB(CRT2)	Wire 210mm Red RV1*12/ 0.15	31012102
CRT Socket PCB(6) TO Main PCB(GND)	Wire 210mm Black RV1*12/ 0.15	31012100
Radio PCB R108(1) TO Main PCB X202(1)	Wire 260mm Red RV1*12/ 0.15	31012602
Radio PCB R108(2) TO Main PCB X202(2)	Wire 260mm Green RV1*12/ 0.15	31012605
Radio PCB R108(3) TO Main PCB X202(3)	Wire 260mm Black RV1*12/ 0.15	31012600
Radio PCB XS002(1) TO Main PCB X401(1)	Wire 280mm Red RV1*12/ 0.15	31012802
Radio PCB XS002(2) TO Main PCB X401(2)	Wire 280mm Black RV1*12/ 0.15	31012800
Radio PCB XS002(3) TO Main PCB X101(4)	Wire 300mm Red RV1*12/ 0.15	31013002
Radio PCB XS002(4) TO Main PCB X101(1)	Wire 300mm Black RV1*12/ 0.15	31013000
Radio PCB XS002(5) TO Main PCB X101(2)	Wire 300mm Red RV1*12/ 0.15	31013002
Radio PCB XS002(6) TO Main PCB X101(3)	Wire 300mm White RV1*12/ 0.15	31013009
Radio PCB R106(1) TO Radio PCB XS003(2)	Wire 70mm White RV1*12/ 0.15	31010709
Radio PCB R106(2) TO Radio PCB XS003(1)	Wire 70mm Black RV1*12/ 0.15	31010700
Radio PCB R106(3) TO Radio PCB XS003(3)	Wire 70mm RV1*7/ 0.15	31000700
Radio PCB XS001(1) TO Switch PCB XS002(1)	Wire 280mm Red RV1*12/ 0.15	31012802
Radio PCB XS001(2) TO Switch PCB XS002(2)	Wire 280mm White RV1*12/ 0.15	31012809
Switch PCB X103(BU) TO Main PCB X201(1)	Wire 120mm Green RV1*12/ 0.15	31011205
Switch PCB X103(HV) TO Main PCB X201(3)	Wire 120mm Red RV1*12/ 0.15	31011202
Switch PCB X103(VL) TO Main PCB X201(4)	Wire 120mm Blue RV1*12/ 0.15	31011206
Switch PCB X103(UH) TO Main PCB X201(2)	Wire 120mm Black RV1*12/ 0.15	31011200

MISCELLANEOUS

Ref No.	Description	Mfr's Part NO.
Main PCB SPK(1) TO Ear Phone Socket(1)	Wire 200mm Black RV1*12/ 0.15	31012000
Main PCB SPK(2) TO Ear Phone Socket(2)	Wire 200mm Red RV1*12/ 0.15	31012002
Ear Phone SOCKET(3) TO Speak(+)	Wire 100mm Red RV1*12/ 0.15	31011002
Ear Phone SOCKET(1) TO Speak(-)	Wire 100mm Black RV1*12/ 0.15	31011000
Wire Lacket TO ANT PCB ANT2	Wire 200mm Red RV1*12/ 0.15	31012002
Main PCB X001 ANT TO ANT PCB ANT	Wire 350mm White RV1*12/ 0.15	31013509
Main PCB X001 GND TO ANT PCB ANT1 GND	Wire 350mm Gray RV1*12/ 0.15	31013508
Radio PCB ANT TO Main PCB RIANT	Wire 350mm White RV1*12/ 0.15	31013509
Radio PCB ANT GND TO Main PCB RIANT GND	Wire 350mm Gray RV1*12/ 0.15	31013508
Main PCB B+TO Main PCB B+	Wire 110mm Red RV1*16/ 0.15	31021102
Radio PCB GND TO Main PCB GND	Wire 240mm Black RV1*12/ 0.15	31012400
Radio PCB VD403(+) TO Switch JACK+	Wire 35mm Red RV1*7/ 0.15	31000352
Radio PCB VD403(-) TO Switch JACK-	Wire 30mm Black RV1*7/ 0.15	31000300
Battery Box(+) TO Main PCB TV+	Wire 320mm Red RV1*16/ 0.15	31023202
Battery Box(-) TO Main PCB TV-	Wire 320mm Black RV1*16/ 0.15	31023200
ANT PCB XS402(1) TO Main PCB(1)	Wire 300mm Green RV1*16/ 0.15	31023005
ANT PCB XS402(2) TO Main PCB(2)	Wire 300mm Black RV1*16/ 0.15	31023000
ANT PCB XS402(3) TO Main PCB (3)	Wire 300mm Red RV1*16/ 0.15	31023002

RADIO PARTS LIST

RESISTORS (ALL ARE +/-5% 1/4W Carbon F:LM)

Ref No.	Description	Q'TY	Mfr's Part NO.
R006	47ohm	1	10014721
R005	560ohm	1	10015631
R007	680ohm	1	10016831
R008 R407	1kohm	2	10011041
R001 R002	100kohm	2	10011061
R004	18ohm	1	10011821

CAPACITORS

Ref No.	Description	Q'TY	Mfr's Part NO.
C011	Ceramic 1PF/50V +80%-20%	1	22521010
C013	Ceramic 10PF/50V +80%-20%	1	22521020
C008	Ceramic 15PF/50V +80%-20%	1	22521520
C009	Ceramic 20PF/50V +80%-20%	1	22522020
C001 C003 C012	Ceramic 30PF/50V +80%-20%	3	22523020
C002	Ceramic 50PF/50V +80%-20%	1	22525020
C016	Ceramic 150PF/50V +80%-20%	1	22521530
C004 C005 C007	Ceramic 103PF/50V +80%-20%	3	21321050
C021	Ceramic 223PF/63V +80%-20%	1	21322250
C010 C018	Electrolytic 0.47uF/16v +80%-20%	2	20004710
C014	Electrolytic 10uF/16v +80%-20%	1	20001020
C017 C019	Electrolytic 100uF/16v +80%-20%	2	20001030
C006	Electrolytic 33uF/63v +80%-20%	1	20023320
C020	Mylar 4700PF/63v +80%-20%	1	23024743

DIODES AND TRANSISTORS

Ref No.	Description	Q'TY	Mfr's Part NO.
VD001	FV1043	1	16200001
VD002	2CW53	1	16100000
Q001	2SC8050	1	16300024
VD403	SLE2310G	1	16500007

COILS

Ref No.	Description	Q'TY	Mfr's Part NO.
L001 L004	φ 3mm 2.5	2	18000029
L003	φ 3mm 3.5	1	18000031
T001	VIF Detector 060	1	18030024
L005	VIF Detector 060	1	18030025
Z001	VIF Filter 10.7MHZ	1	17000009
Z001	VIF Filter 45.5KHZ	1	17000011

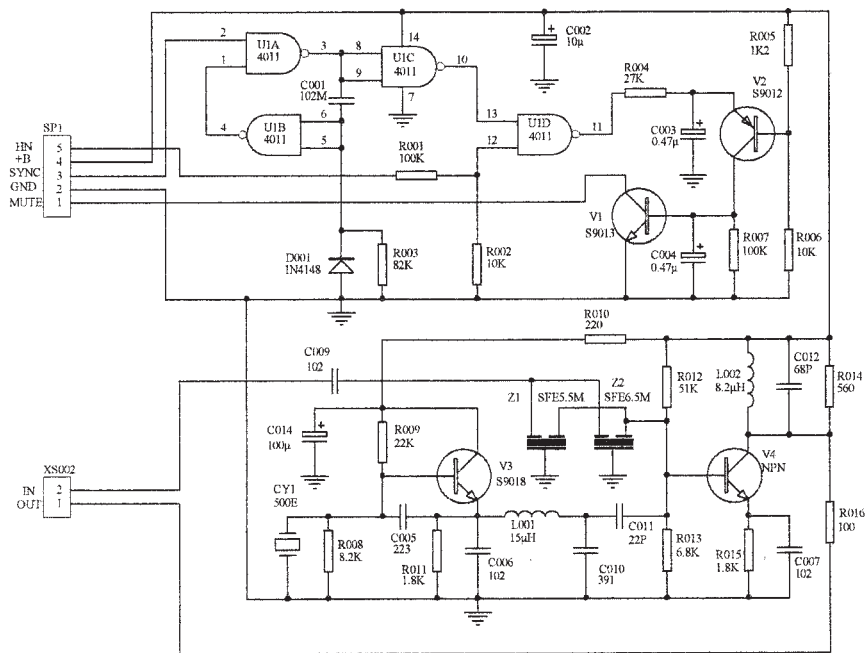
Ref No.	Description	Q'TY	Mfr's Part NO.
	Four Capacitors		
	Cbm-43DF-4DF4	1	17030001
IC001	TA2003F	1	16790011
Radio PCB	AKJ7.820.079A	1	
J001 J002	JDLMER WIRE:10mm	2	
Power switch	PS22E03	1	30010022

VARIABLE RESISTORS

Ref No.	Description	Q'TY	Mfr's Part NO.
R106	WH142-1A-A-10K	1	12020105
R108	WH142-1A-A-100K	1	12021106

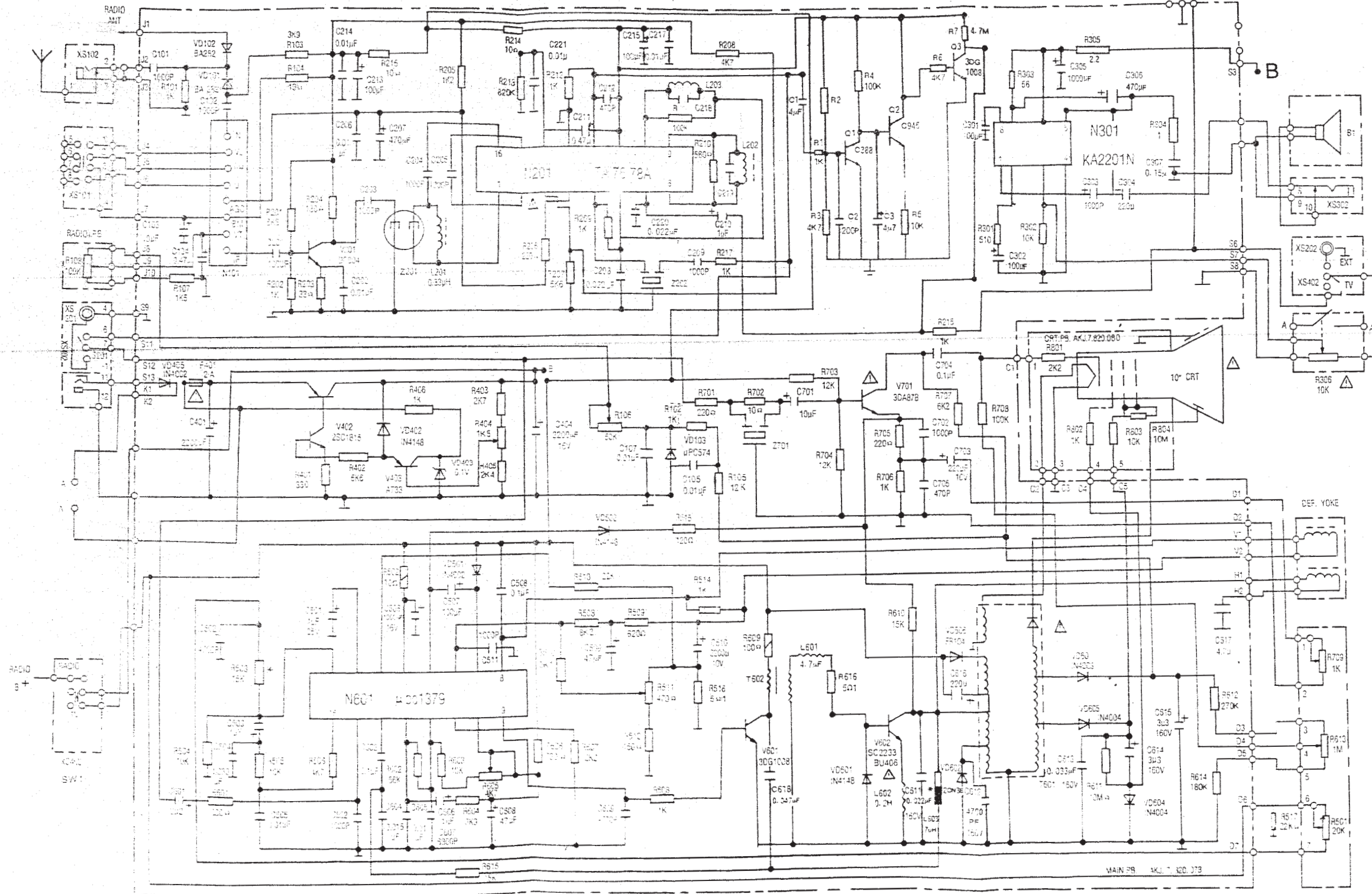
STATIC NOISE CIRCUIT ELECTRICAL PARTS LIST

Ref No.	Description	Q'TY	Mfr's Part NO.
R016	100ohm	1	
R010	220ohm	1	
R014	560ohm	1	
R005	1.2kohm	1	10011241
R015 R011	1.8kohm	2	
R013	6.8kohm	1	10016841
R008	8.2kohm	1	
R006 R002	10kohm	2	10011051
R009	22kohm	1	
R004	27kohm	1	
R012	51kohm	1	
R003	82kohm	1	
R001 R007	100kohm	2	10011061
C011	Ceramic 22PF/50v +80%-20%	1	
C012	Ceramic 68PF/50v +80%-20%	1	
C010	Ceramic 390PF/50v +80%-20%	1	
C006 C007 009	Ceramic 102PF/50v +80%-20%	3	
C015	Ceramic 103PF/63v +80%-20%	1	
C005	Ceramic 223PF/63v +80%-20%	1	
C004	Electrolytic 3.3uF/16v +80%-20%	1	
C002	Electrolytic 10uF/16v +80%-20%	1	
C013 C014	Electrolytic 100uF/16v +80%-20%	2	
C003	Electrolytic 0.47uF/50v +80%-20%	1	
C001	Mylar 102PF/63v +80%-20%	1	
D001	1N4148	1	16200000
V1	90113H	1	16300027
V2	9012	1	16300026
IC	TC4011BP	1	16790015
L001	PL-8-15uH	1	
L002	PL-8-8.2uH	1	
V3 V4	S9018	2	
Z1	LT-6.5MHZ	1	
Z3	LT-5.5MHZ	1	
CY1	CRYSTAL 0.5MHZ	1	
Synchron to MUTE PCB	Wire 100mm Yellow RV1*12/ 0.15	1	31021004
Power to MUTE PCB	Wire 40mm Red RV1*12/ 0.15	1	31020402
GND to MUTE PCB	Wire 60mm Black RV1*12/ 0.15	1	31020600
H-Fly back to MUTE PCB	Wire 100mm Blue RV1*12/ 0.15	1	31021006
Audio MUTE to MUTE PCB	Wire 100mm Green RV1*12/ 0.15	1	31021005
R207 Left TO MUTE PCB	Wire 100mm White RV1*12/ 0.15	1	
R207 Right TO MUTE PCB	Wire 100mm Orange RV1*12/ 0.15	1	



B/G D/K AUTOMATIC IDENTIFICATION AND AUDIO MUTEING SYSTEM

10 INCH B/W TV RECEIVER SCHEMATIC DIAGRAM



NOTE

1. Marked Parts are of importance to safety
2. The circuits are subject to change without notice