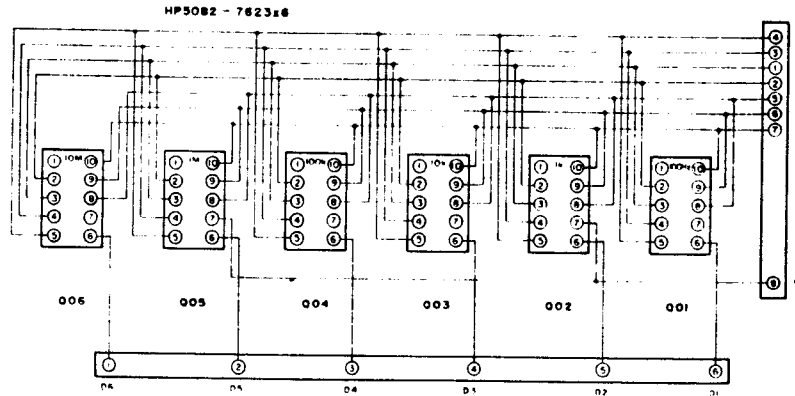


COUNTER UNIT (PB-2086A)

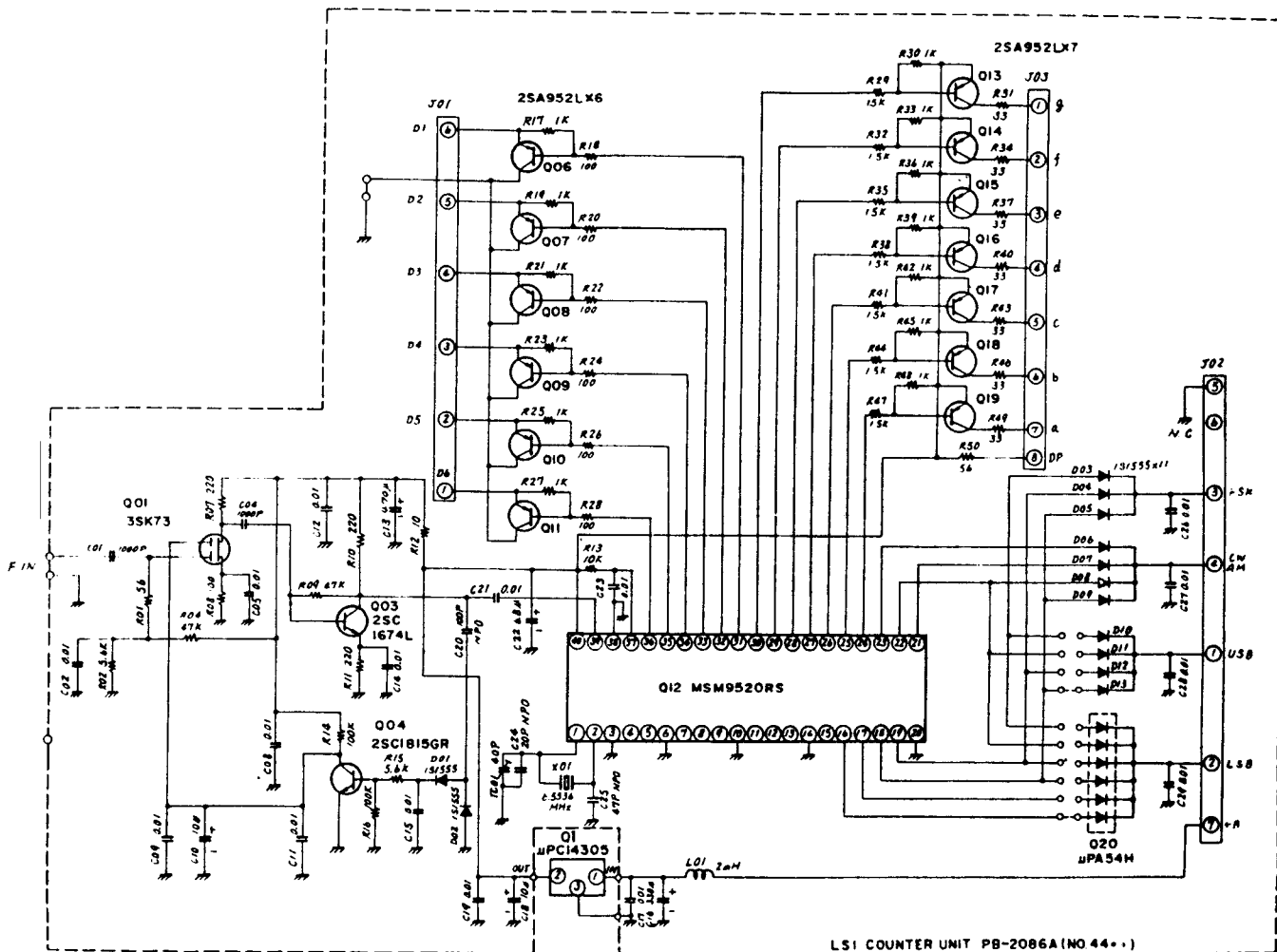
A portion of the local oscillator signal appears at the F IN terminal of the COUNTER Unit, where it is amplified by Q<sub>4401</sub> (3SK73) and Q<sub>4403</sub> (2SC1674L). The signal is then fed to the LSI counter chip, Q<sub>4012</sub> (MSM9520RS). A portion of the output from Q<sub>4403</sub> is detected by D<sub>4401</sub> and D<sub>4402</sub> (1S1555) and amplified by Q<sub>4404</sub>

(2SC1815Y), providing an AGC voltage which keeps the signal input level to the LSI constant by controlling the gain of Q<sub>4401</sub>.

The output from the LSI drives LED digit drivers Q<sub>4406</sub> - Q<sub>4411</sub> (2SA952L) and segment drivers Q<sub>4413</sub> - Q<sub>4419</sub> (2SA952L), which control the digital display light emitting diodes, D<sub>4501</sub> - D<sub>4506</sub> (HP5082-7623).



DISPLAY UNIT PB-2098



LSI COUNTER UNIT PB-2086A (NO 4401)