

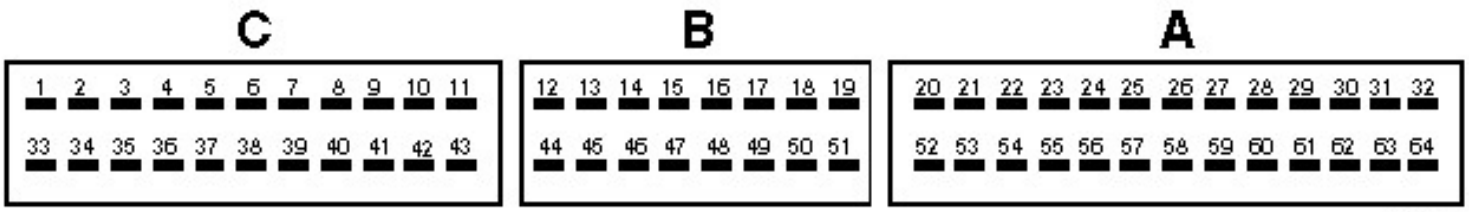
Telephone:
Fax:
VAT Registration No.:

X88	AC connector
Y99-II	Additional idle air control (IAC) valve - AT
G1	Alternator
31	Battery -
30	Battery +
S13	Brake pedal position (BPP) switch
B54	Crankshaft position (CKP) sensor
X1	Data link connector (DLC)
A35	Engine control module (ECM)
K46	Engine control relay
M6	Engine coolant blower motor
B24	Engine coolant temperature (ECT) sensor
H63	Engine malfunction indicator lamp (MIL)
M12	Fuel pump
K20	Fuel pump relay
F	Fuse
S30	Heated rear window switch
S17	Heater/AC motor switch
Y99-I	Idle air control (IAC) valve
A52	Ignition amplifier
T1	Ignition coil
15	Ignition switch - ignition ON
50	Ignition switch - start signal
Y3	Injector
B25	Intake air temperature (IAT) sensor
B83	Manifold absolute pressure (MAP) sensor
B72	Oxygen sensor (O2S)
S249	Park/neutral position (PNP) switch
B147	Throttle position (TP) sensor - AT
S104	Throttle position (TP) switch - MT
A57	Transmission control module (TCM)
B33	Vehicle speed sensor (VSS)

Manufacturer: Daihatsu
Engine code: HC
Tuned for: R-Cat

Model: Charade (93-02) 1,3
Output: 55 (75) 6500
Year: 1993-99

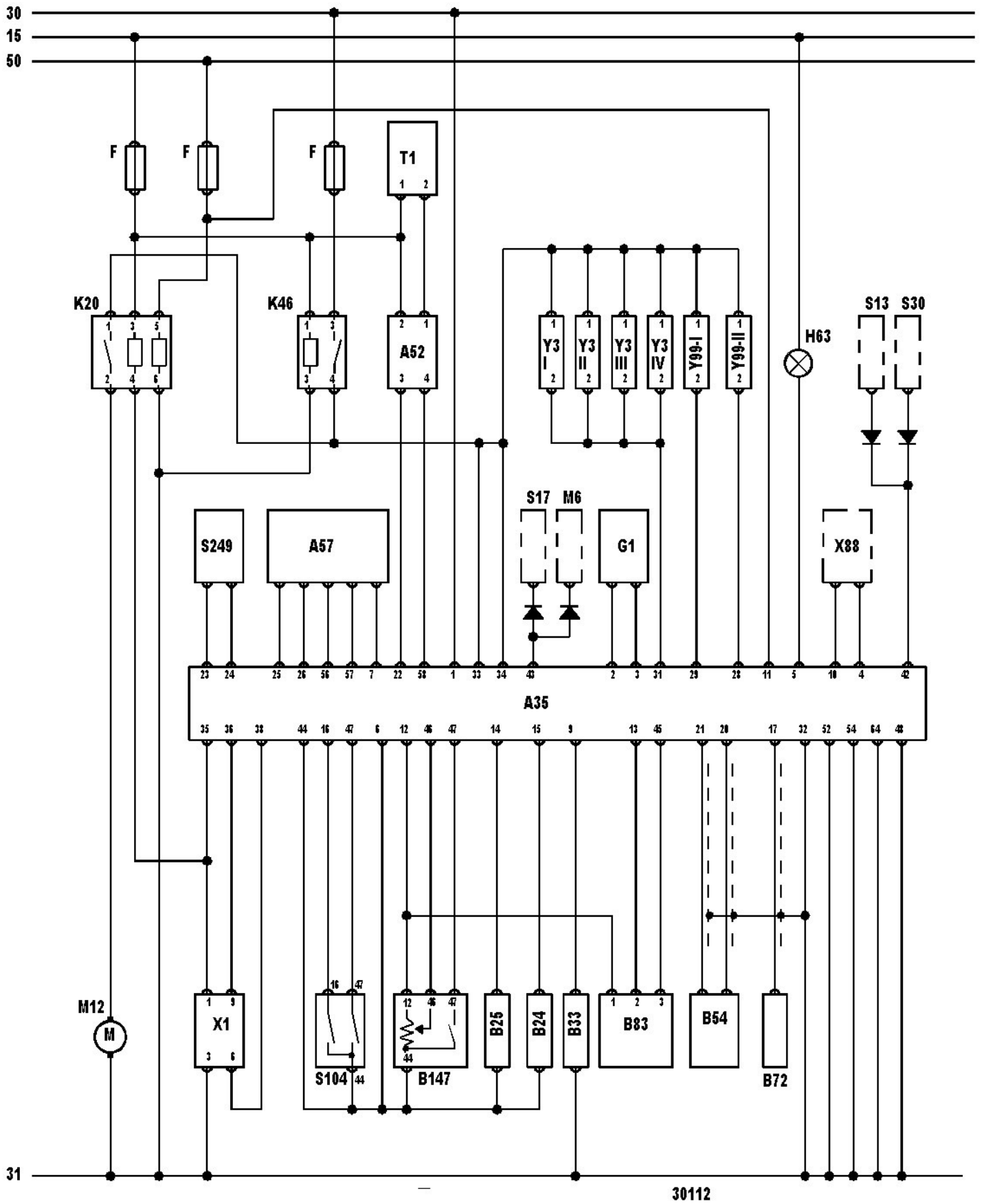
© Autodata Limited 2010
Valid forever. 2014-08-01
V8.500- ***/Autodata***



A.088.167

bl = blue	br = brown	el = cream	ge = yellow
gn = green	gr = grey	nf = neutral	og = orange
rs = pink	rt = red	sw = black	vi = violet
ws = white	hbl = light blue	hgn = light green	rbr = maroon
x = braided cable	y = high tension	z = non-cable connection	

NOTE: In certain diagrams (Citroen, Peugeot & Renault), colour codes are replaced by numbers which are used to identify a particular cable and not the colour. In this instance, the cables will be numbered at each end close to the harness connector.



Manufacturer: Daihatsu
 Engine code: HC
 Tuned for: R-Cat

Model: Charade (93-02) 1,3
 Output: 55 (75) 6500
 Year: 1993-99

© Autodata Limited 2010
 Valid forever. 2014-08-01
 V8.500-

/Autodata