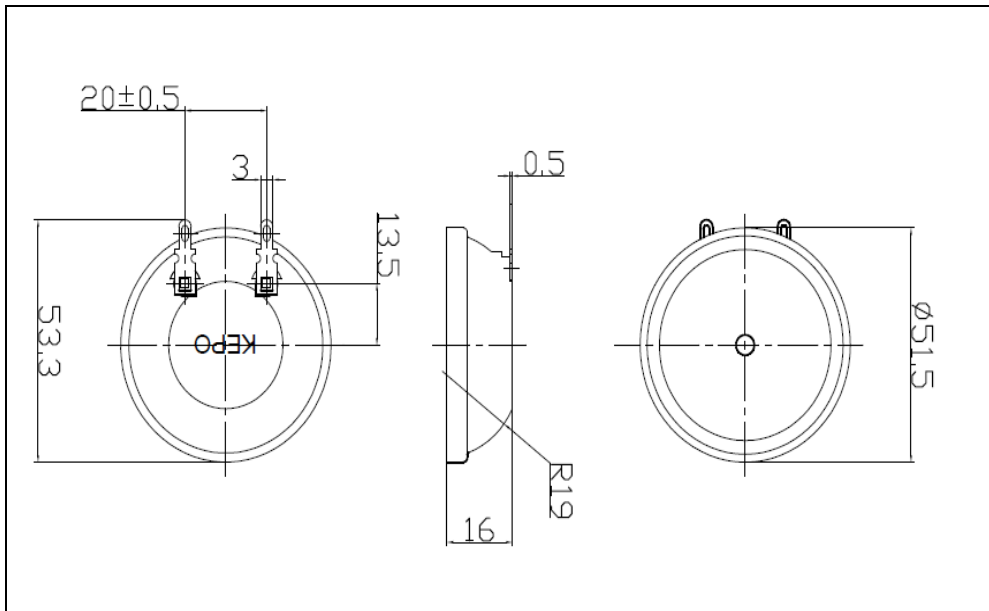


Technical datasheet: PCT-G5100-K6318

Specifications:

Operating Temperature	-20°C to +60°C
Storage Temperature	-30°C to +70°C
Rated Voltage	2.83Vrms Sine Wave
Max Allowable Voltage	30Vp-p Square Wave
Min SPL	90dB at 2.83Vrms /2.5-8kHz/100cm
Capacitance at 100HZ	130000PF±30%PF
Weight	10g
Case Material/Color	ABS/Black
Tone Nature	/

Dimensions:



Frequency Response:

