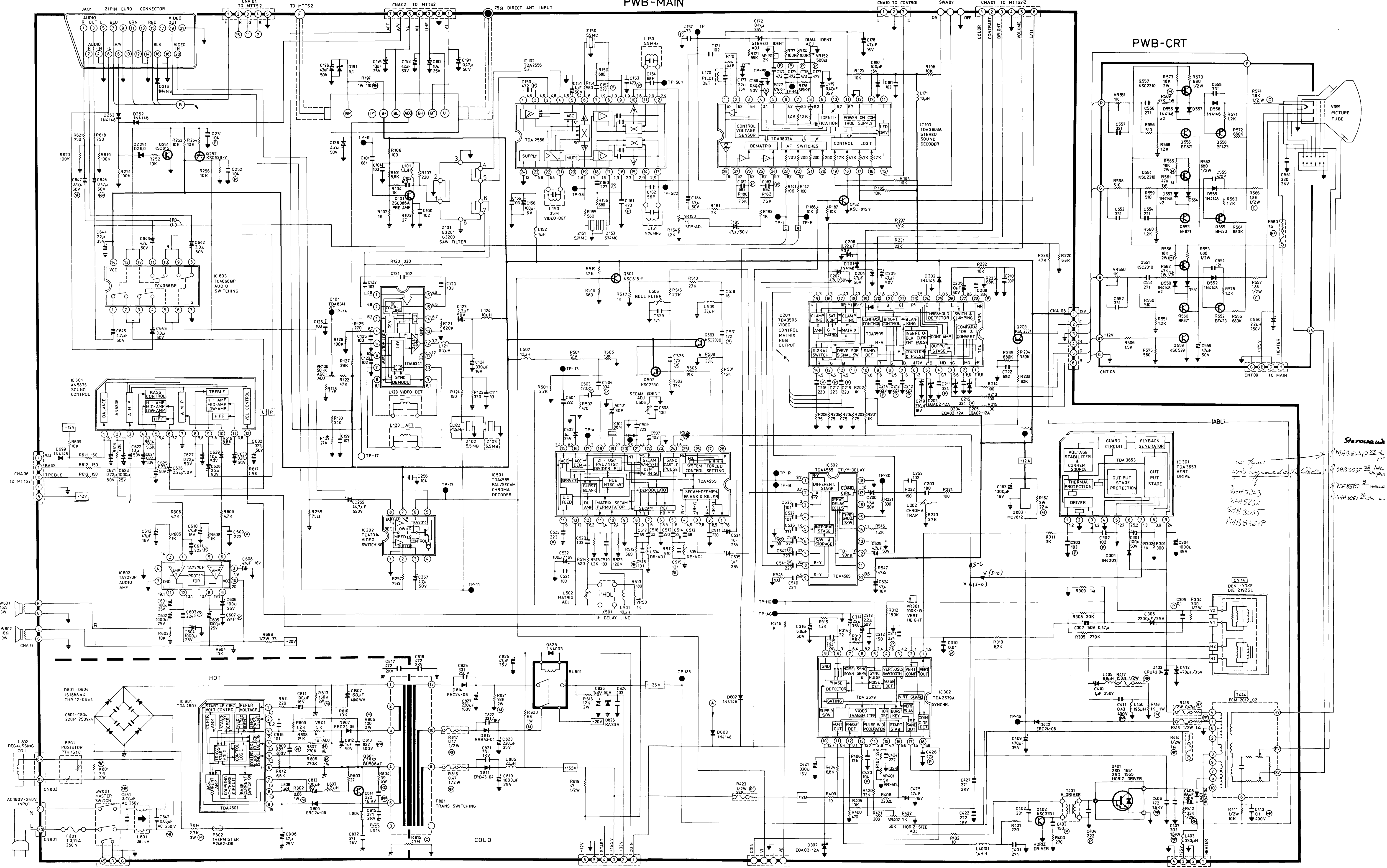


PWB-MAIN

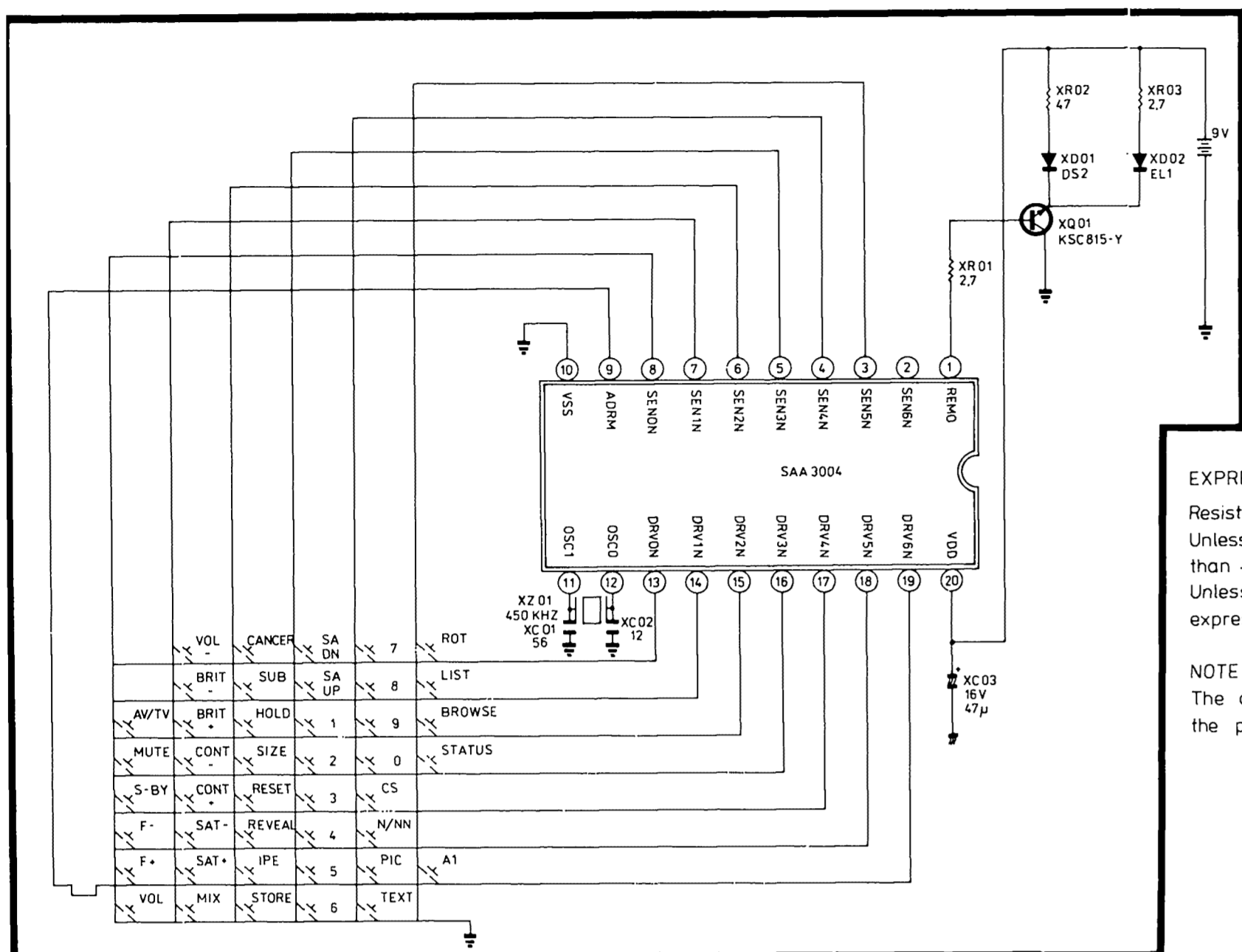
PWB-CRT



*Handwritten notes:*  
 1. TDA 334 (16n, IC101) - VIF  
 2. TDA 2556 (24n, IC102) - SIF  
 3. TDA 3803 A (28n, IC103) - decoder stereo  
 4. TDA 3505 (28n, IC201) - video control  
 5. TDA 2579 A (18n, IC302) - gamma control  
 6. TDA 3653 (17n, IC303) - gamma n.c.

CAPACITOR	
TYPE	MARK
Ceramic	No Mark
Polyester	P
Tantalum	T
Metal Polyester	MP
Polypropylene	PP
Polyester Polypro	DSR
Chemical Electrolytic	
Chemical Non-Polar	

RESISTOR	
TYPE	MARK
Carbon Composition	C
Oxide Metal Film	M
Metal Film	RM
Cement	R-C
Variable Resistor	
Positive Resistor	



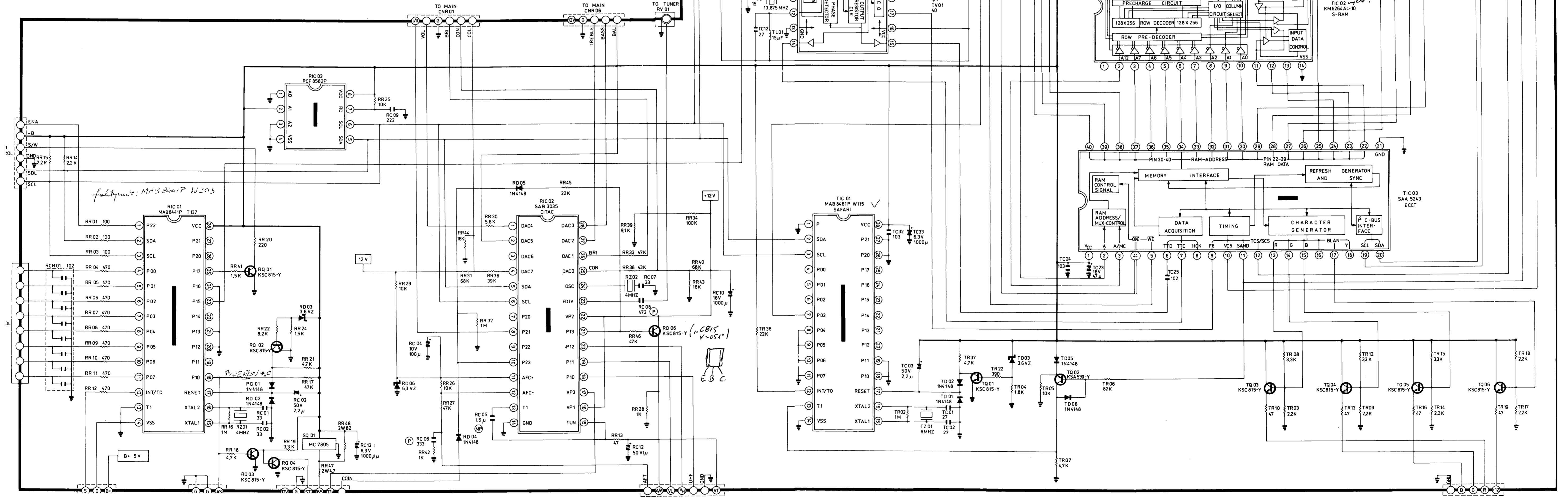
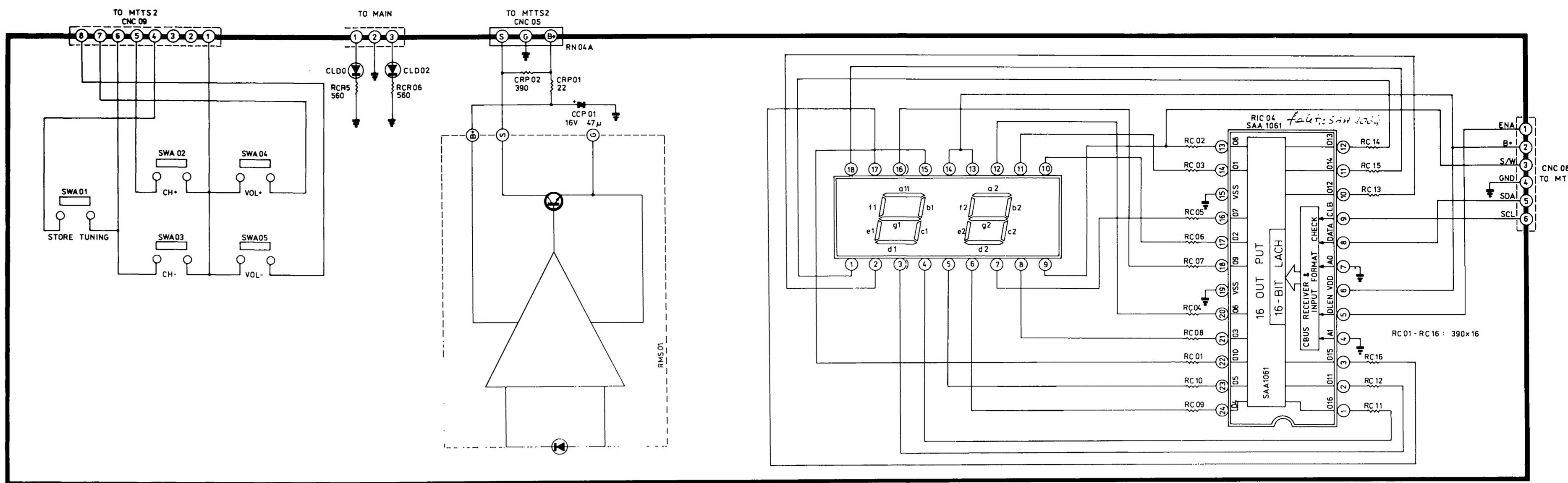
EXPRESSION

Resistance is shown ohm K=1000 M=1,000,000. Unless otherwise noted in schematic all capacitor values less than .1 are expressed in mfd, the values more than 1 in pF. Unless otherwise noted in schematic all inductor values are expressed in μH, and the values less than 1 in mH.

NOTE

The circuits are subject to change without notice to improve the picture quality.

CHASSIS NAME : P-88MT  
CODE NO : 38104-183-550



2.3V p-p (H)	390mV p-p (H)	1.05V p-p (H)	550mV p-p (H)	1.33V p-p (H)	2.6V p-p (H)	12.0V p-p (H)	2.6V p-p (H)
1.0mV p-p (H)	50V p-p (H)	5.8V p-p (H)	5.0V p-p (H)	3.0V p-p (H)	2.8V p-p (H)	3.7V p-p (H)	1.3V p-p (H)