



Service Manual

Washing machine

Toploader

AWT 2256/1

| Model Version | | Page |
|--------------------------|-----------------|-------------|
| | AWT 2256/1 | |
| | 8561 225 10260 | |
| | Technical data | 2 - 3 |
| | Spare part list | 4 |
| | Exploded view | 5 - 6 |
| | Wiring diagram | 7 |
| | Circuit diagram | 8 |
| | Program diagram | 9 |

Technical data**Dimensions**

| | | |
|--------|------|----|
| Height | 85.0 | cm |
| Width | 40.0 | cm |
| Depth | 60.0 | cm |

Weight

| | | |
|--------------|------|----|
| Net weight | ~ 61 | kg |
| With packing | ~ 64 | kg |

Main connection

| | | |
|-------------------|-------|---------|
| Voltage | 230 | V ± 10% |
| Frequency | 50 | Hz |
| Power consumption | ~ 2.3 | kW |
| Fuse rating | 10 | A |

Drum

| | | |
|---------------------|-----|-----|
| Volume | 42 | l |
| Wash spin | 54 | rpm |
| Speed spinning max. | 500 | rpm |

Capacity of dry laundry

| | | |
|---------------------------|---------|----|
| Cotton / coloured laundry | 5 / 4.5 | kg |
| Cotton rapid | 3 | kg |
| Easy care | 2.5 | kg |
| Easy care rapid | 1.5 | kg |
| Delicate | 1.5 | kg |
| Wool | 1 | kg |

Pressostat for washing-machine**Level 1 - PRL - washing, anti foam**

| | | |
|-----------------|--------|-------|
| Switching point | 65 ± 5 | mm Wc |
| Reset | 35 ± 5 | mm Wc |

Overflow - PRS

| | | |
|-----------------|----------|-------|
| Switching point | 300 ± 20 | mm Wc |
|-----------------|----------|-------|

Water column drum**Level 1 - PRL - washing**

| | | |
|-----------------|--------|----|
| Switching point | 50 ± 5 | mm |
|-----------------|--------|----|

Overflow

| | | |
|-----------------|----------|----|
| Switching point | 285 ± 20 | mm |
|-----------------|----------|----|

Nominal current**Contacts:**

| | | |
|---------|--------|---|
| 11 - 12 | 4 (4) | A |
| 11 - 14 | 4 (4) | A |
| 21 - 12 | 4 (4) | A |
| 21 - 24 | 16 (4) | A |
| 21 - 26 | 1 (1) | A |

Contacts system:

| | |
|--------------|----------------------|
| 11 - 12 - 14 | jump contacts |
| 21 - 22 - 24 | jump contacts |
| 21 - 26 | slow action contacts |

Door lock

| | |
|---------------------------|------------|
| Lock time (0 - 85°C) | < 5" |
| Unlock time after 30" on | 110" ± 50" |
| Nominal voltage | 250 V |
| Nominal current contacts: | |
| 4 - 5 | 16 (4) A |

Heating element

| | |
|---------------------------|-------------------------|
| Kind of heating | Tubular heating element |
| Nominal voltage | 230 V |
| Nominal power | 2050 W |
| Heat conductor resistance | 25.8 Ω ± 5% |
| Working temperature max. | 120 °C |

Water inlet valve

| | |
|-------------------------|--------------|
| Water temperature max. | 90 °C |
| Rated flow (> 1 bar) | 8 l/min. |
| Pressure range | 0.2 - 10 bar |
| Nominal voltage | 220 - 240 V |
| Frequency | 50 Hz |
| Starting voltage | 170 V |
| Nominal current | 40 mA |
| Nominal power | 8.8 VA |
| Nominal resistor (20°C) | 3.8 kΩ ± 10% |

Drain pump (synchronous)

| | |
|-------------------------|------------|
| Nominal voltage | 230 V |
| Nominal current | 0.3 A |
| Nominal consumption | 34 W |
| Frequency | 50 Hz |
| Resistor (coil) | 164 Ω ± 7% |
| Motor protection | no |
| Capacity (1.25m height) | 14 l/min |

Technical data

Program timer

| | | | |
|---------------------|---------------------|---------|--|
| Type | Electromechanical | | |
| Fab. | EC 4839 (Timer A1S) | | |
| Nominal voltage | 230 | V | |
| Frequency | 50 | Hz | |
| Total positions | 60 | | |
| Pre wash | pos. | 01 | |
| Main wash | pos. | 06 | |
| Rinse | pos. | 21 | |
| Spin | pos. | 33 / 58 | |
| Stop | pos. | 37 / 60 | |
| Ambient temperature | to 70 | °C | |
| Storage temperature | to 85 | °C | |

Motor

| | | | |
|------------------|-------------|----|--|
| Type | 2/16 | | |
| | i = 1 : 6.3 | | |
| Pulley diameter | 32.4 | mm | |
| Nominal voltage | 230 | V | |
| Frequency | 50 | Hz | |
| Nominal current: | | | |
| Washing | 1.6 | A | |
| Spinning | 3.0 | A | |

Capacitor

| | | | |
|-----------------|----|-----|--|
| Motor capacitor | 16 | μ F | |
|-----------------|----|-----|--|

Radio interference supression

| | | | |
|--------------------|-----------|---------------|--|
| Nominal voltage | 230 | V | |
| Nominal capacity | 470 nF X1 | + 2 x 22 nF Y | |
| Nominal inductance | 2 x 0.5 | mH | |
| Nominal resistance | 680 | kΩ | |

Thermostats - optional

Thermostat bi -metal 60°C

TH60

| | | | |
|-----------------|--------|----|--|
| Nominal voltage | 230 | V | |
| Nominal current | 10 | A | |
| OFF | 55 ± 3 | °C | |
| ON | 40 ± 4 | °C | |

Thermostat bi -metal 35°C

TH35

| | | | |
|---------|--------------------|----|--|
| Contact | normally open (NO) | | |
| OFF | 35 ± 4 | °C | |
| ON | 27 ± 3 | °C | |

Thermostat bi -metal 80°C

TH80

| | | | |
|-----------------|--------|----|--|
| Nominal voltage | 230 | V | |
| Nominal current | 10 | A | |
| OFF | 80 ± 3 | °C | |
| ON | 60 ± 4 | °C | |

Switch mains

| | |
|--------------------|----|
| Push button on/off | SM |
|--------------------|----|

Push button switch

| | |
|----------------|-----|
| Half load | SHL |
| Intensive wash | SWI |

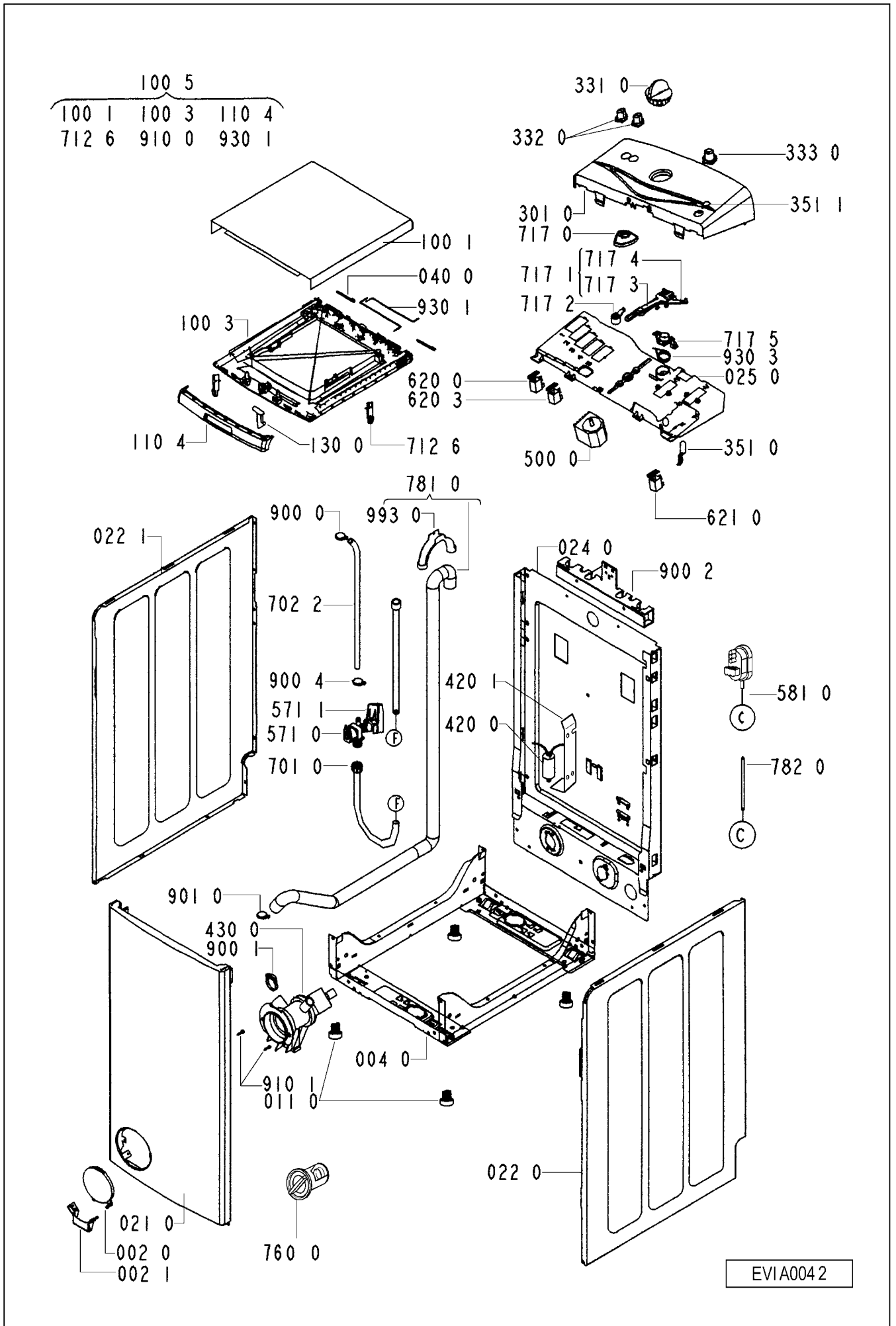
Spare part list

Model AWT 2256/1
Service No. 856122510260
Version 856122510260

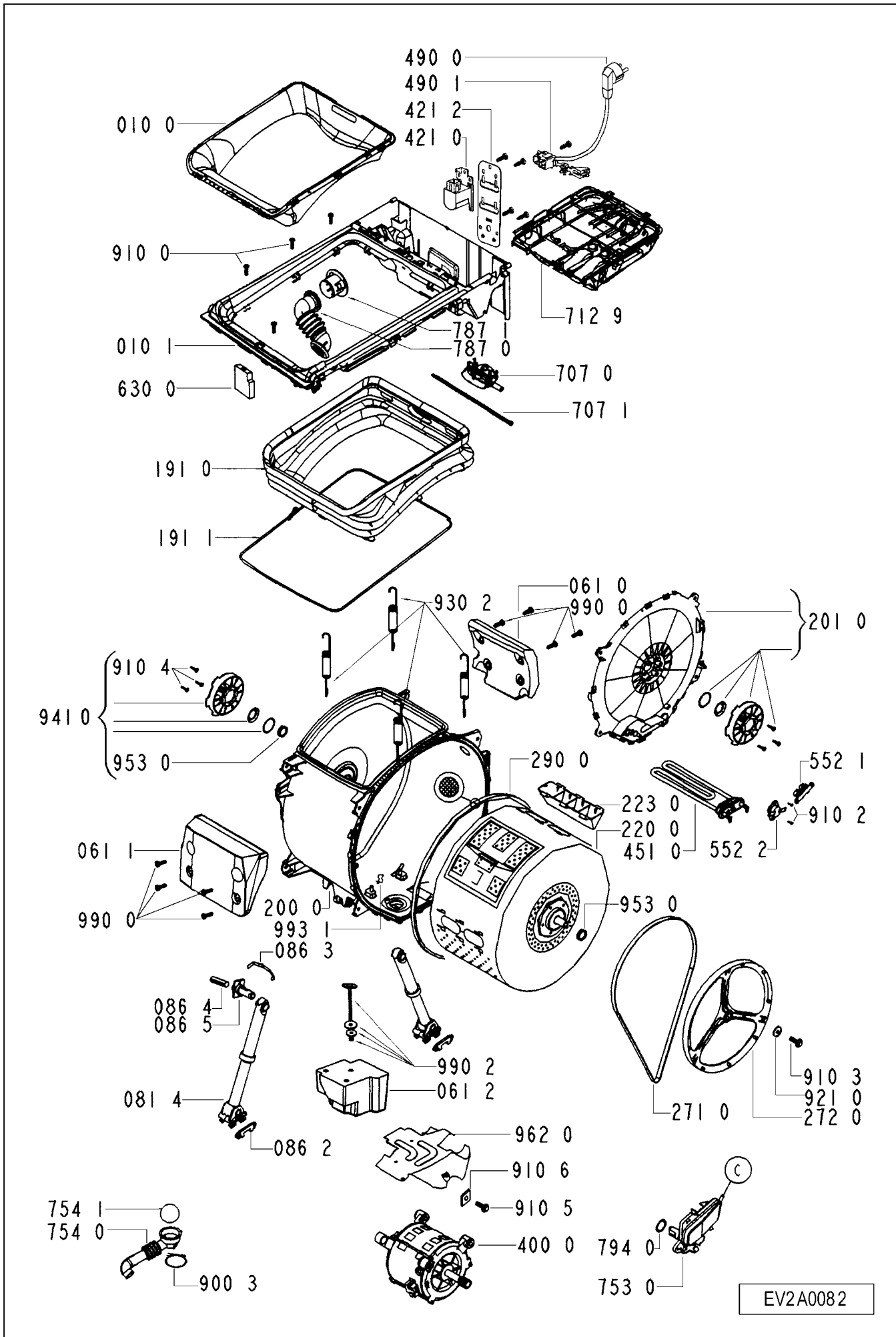
| Pos. No. | 12NC Code | Description |
|----------|-----------------------|------------------------------|
| 002 0 | 4812 459 38027 | Flap round |
| 002 1 | 4812 459 38028 | Hinge Flap |
| 004 0 | 4812 440 19625 | Drip tray assy |
| 010 0 | 4812 459 48056 | Door frame inner |
| 010 1 | 4812 440 10599 | Frame Top RFI |
| 011 0 | 4819 462 48472 | Foot |
| 021 0 | 4812 440 19626 | Front,panel |
| 022 0 | 4812 440 19628 | Side panel right |
| 022 1 | 4812 440 19629 | Side panel left |
| 024 0 | 4812 440 19631 | Rear panel |
| 025 0 | 4812 440 19632 | Support |
| 040 0 | 4812 417 18815 | Hinge bolt |
| 061 0 | 4812 466 88489 | Counter weight |
| 061 1 | 4812 466 88491 | Counter weight front |
| 061 2 | 4812 466 88492 | Counter weight bottom |
| 081 4 | 4812 529 18043 | Shock absorber |
| 086 2 | 4812 401 18412 | Stopper |
| 086 3 | 4812 529 18044 | Clamp absorber |
| 086 4 | 4812 529 18045 | Pin f. Shock absorber |
| 086 5 | 4812 529 18046 | Shaft f. absorber |
| 100 1 | 4812 440 19634 | Lid outer |
| 100 3 | 4812 440 19635 | Lid inner |
| 100 5 | 4812 440 19636 | Lid assembly |
| 110 4 | 4812 440 19553 | Handle cpl. |
| 130 0 | 4812 417 18849 | Hook f. Door |
| 191 0 | 4812 466 68596 | Door bellow |
| 191 1 | 4812 492 98014 | Strap f. bellow |
| 200 0 | 4812 418 18242 | Tub 4fix points |
| 201 0 | 4812 440 19644 | Cover cpl. |
| 220 0 | 4812 418 18243 | Drum |
| 223 0 | 4819 418 49713 | Drum lifter |
| 271 0 | 4812 358 18161 | Belt |
| 272 0 | 4812 528 88082 | Pulley 268 mm |
| 290 0 | 4812 532 68078 | Gasket |
| 301 0 | 4812 452 11537 | Control panel AWT 2256/1 |
| 331 0 | 4812 412 58818 | Knob Timer |
| 332 0 | 4812 410 28583 | Button Options |
| 333 0 | 4812 410 28611 | Button on/off |
| 351 0 | 4812 124 98001 | Lamp mains |
| 351 1 | 4812 124 18001 | Cover pilot lamp |
| 400 0 | 4812 361 58145 | Motor 2/16 |
| 420 0 | 4819 121 18314 | Capacitor |
| 420 1 | 4812 121 18238 | Cover f. capacitor |
| 421 0 | 4812 121 18217 | Interf.filter |
| 421 2 | 4812 404 38679 | Holder RFI |
| 430 0 | 4812 360 18472 | Pump,draining |
| 451 0 | 4812 259 28701 | Heating element without hole |
| 490 0 | 4819 321 18136 | Cable,mains 2m SA |
| 490 1 | 4812 321 28367 | Strain relief |
| 500 0 | 4812 282 18682 | Timer EC 4839 (A1S) |
| 552 1 | 4812 282 18684 | Thermostat 35-60 °C |
| 552 2 | 4812 282 18683 | Thermostat 80 °C |
| 571 0 | 4812 281 28393 | Valve,magnet |
| 571 1 | 4812 281 18049 | Cover f. valve |
| 581 0 | 4812 271 28502 | Pressostat |

| Pos. No. | 12NC Code | Description |
|----------|-----------------------|------------------------------|
| 620 0 | 4819 410 29005 | Switch Options NC |
| 620 3 | 4819 410 29044 | Switch Options NO |
| 621 0 | 4812 276 18276 | Switch ON/OFF |
| 630 0 | 4812 271 38373 | Door lock hybrid |
| 701 0 | 4819 530 29034 | Hose, inlet |
| 702 2 | 4812 530 28871 | Hose VALVE-DISPENSER |
| 707 0 | 4812 526 48122 | Nozzle box cold cpl. |
| 707 1 | 4812 526 48049 | Clamp f. nozzle box |
| 712 6 | 4812 418 68164 | Clip SOAP DISPENSER |
| 712 9 | 4812 418 68186 | Soap dispenser cpl. 4 |
| 717 0 | 4812 323 18179 | Cam A1/A2 |
| 717 1 | 4812 323 18183 | Lever ass.plastic |
| 717 2 | 4812 323 18021 | Lever adjustment (metal) |
| 717 3 | 4812 323 18181 | Lever adjustment |
| 717 4 | 4812 323 18182 | Lever |
| 717 5 | 4812 323 18025 | Support lever metal |
| 753 0 | 4812 418 68187 | Chamber,air |
| 754 0 | 4812 530 28938 | Drainhose |
| 754 1 | 4812 530 28832 | Lock eco |
| 760 0 | 4812 480 58089 | Filter set pump |
| 781 0 | 4812 530 28953 | Hose,draining |
| 782 0 | 4812 530 28941 | Hose Pressostat |
| 787 0 | 4812 530 28942 | Hose Air Exhaust |
| 787 1 | 4812 530 28943 | Hose Cover |
| 794 0 | 4812 530 58098 | Gasket Airtrap |
| 900 0 | 4812 290 68157 | Strap SNP 8 |
| 900 1 | 4812 401 18431 | Clamp to pump |
| 900 2 | 4812 401 18461 | Support cable/hose |
| 900 3 | 4819 401 18529 | Clamp,hose |
| 900 4 | 4819 401 18362 | Strap SNP 8 |
| 901 0 | 4812 401 18462 | Clamp,hose drain hose |
| 910 0 | 4812 502 48347 | Screw,selftap 3,5x14SS |
| 910 1 | 4812 502 38151 | Screw 4x14 |
| 910 2 | 4819 502 38288 | Screw PLASGOB SP T45 |
| 910 3 | 4812 502 18404 | Screw |
| 910 4 | 4812 502 18423 | Screw PT 7x15 |
| 910 5 | 4812 502 18401 | Screw M8X 35 |
| 910 6 | 4812 502 18399 | Nut Push in M 8 |
| 921 0 | 4812 400 18047 | Washer |
| 930 1 | 4812 492 48171 | Torsions spring |
| 930 2 | 4812 492 48162 | Spring |
| 930 3 | 4812 323 18019 | Spring f. lever |
| 941 0 | 4812 310 18578 | Bearing Kit |
| 953 0 | 4812 325 68001 | Shaft seal |
| 962 0 | 4812 440 19645 | Cover f. Motor |
| 990 0 | 4812 310 18504 | Fixing mat.set front counter |
| 990 2 | 4812 310 18506 | Fixing mat.set bottom |
| 993 0 | 4819 530 29028 | Bow |
| 993 1 | 4812 290 18025 | Clamp heatingelement |

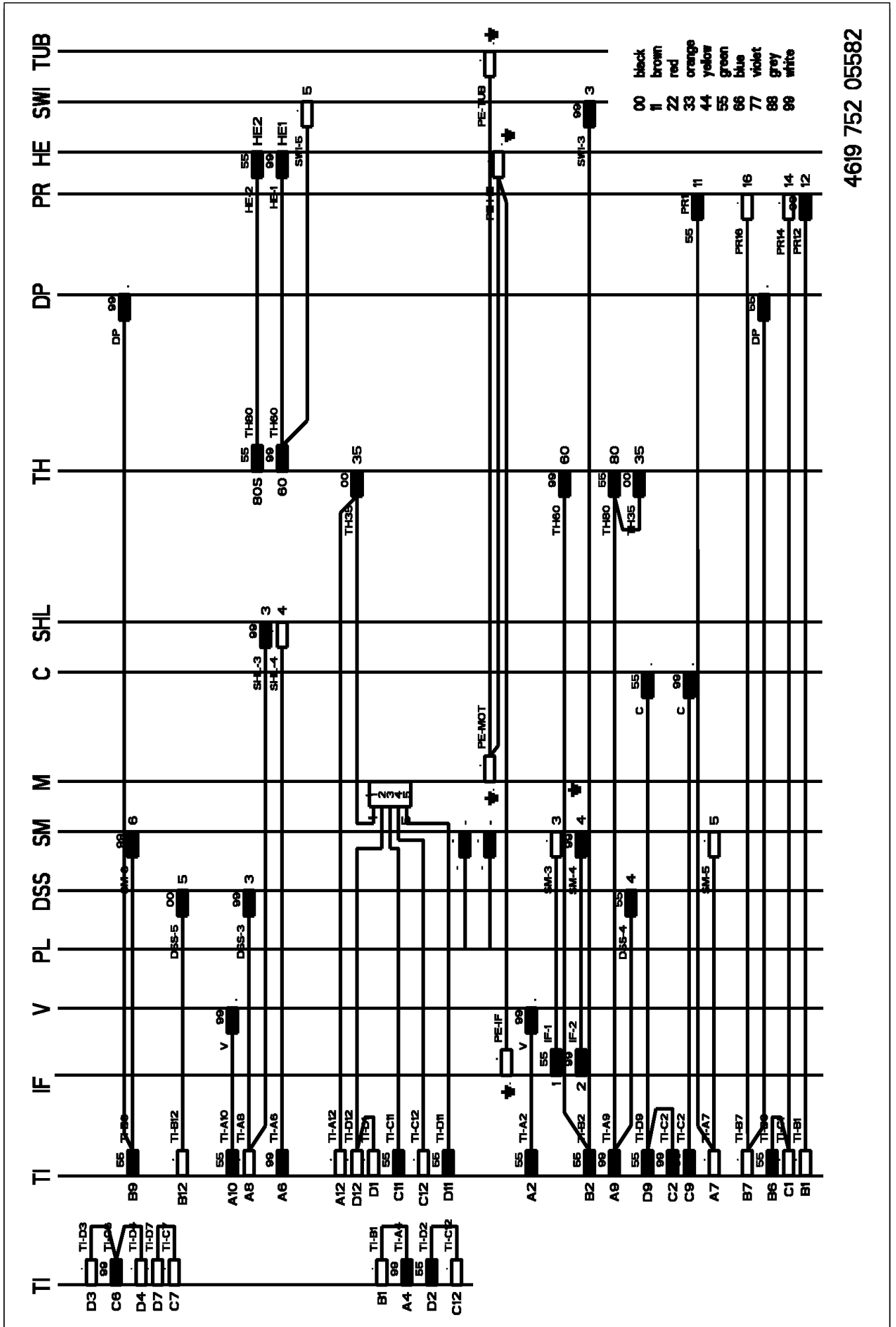
Exploded view



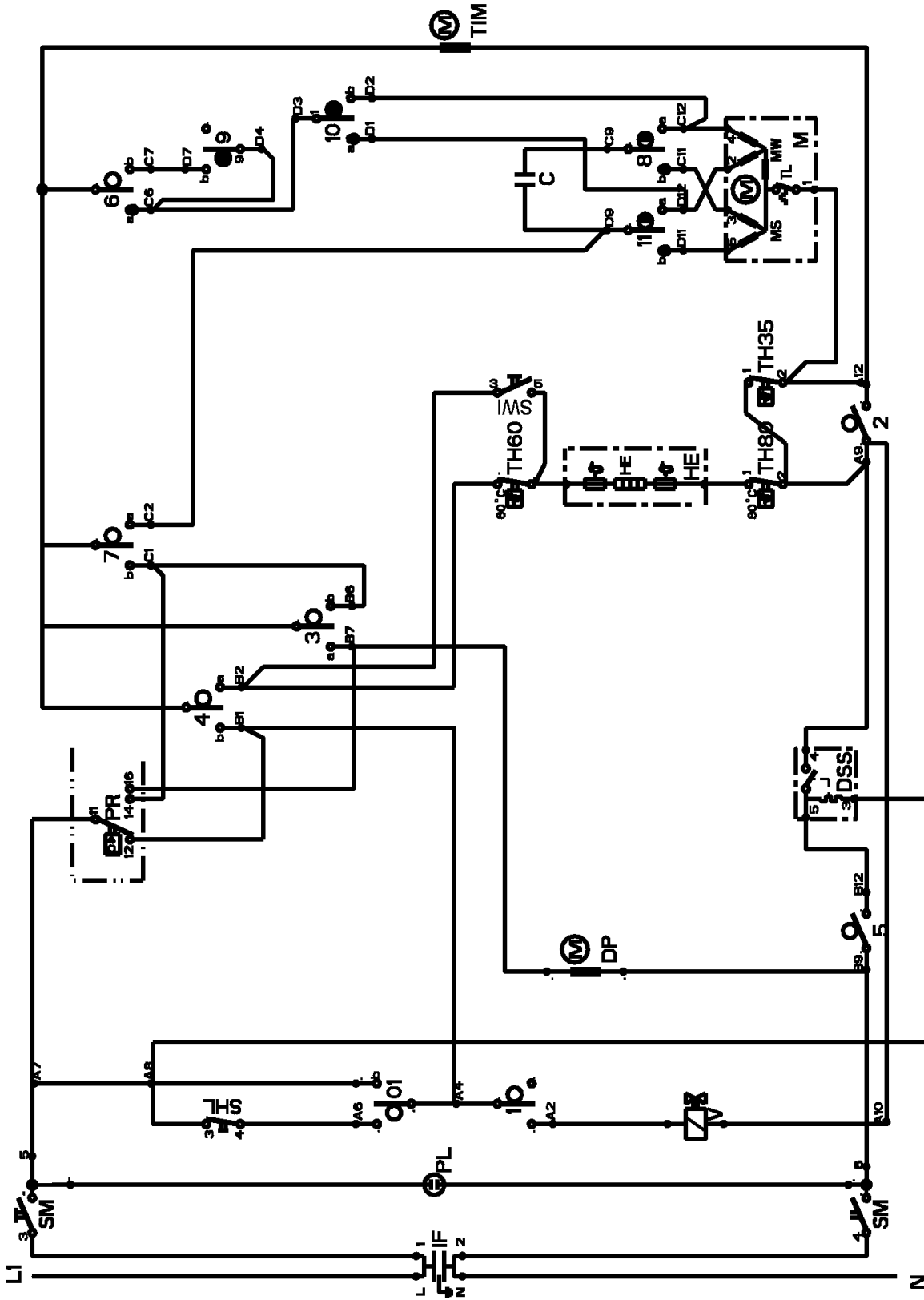
Exploded view



Wiring diagram



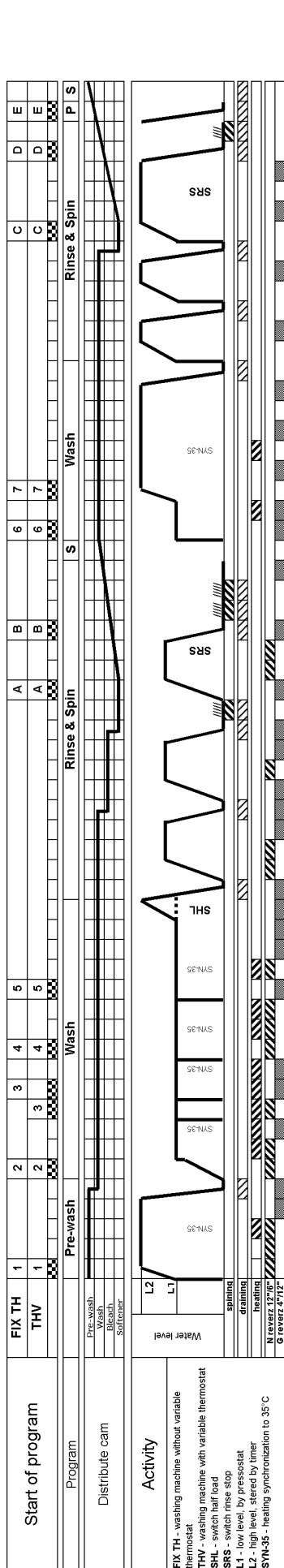
Circuit diagram



- C capacitor
- DP drain pump
- DSS door safety switch
- HE heating element
- IC interference capacitor
- M motor drive
- PL pilot lamp
- PR pressostat
- SHL switch, half load
- SM switch, mains
- SMI switch 95° wash intensive
- TH thermostat, fix
- TI timer
- TIM timer motor
- V valve

4619 752 05582

Program diagram



Timing chart

| Step | Number of pin | Activity |
|------|------------------|--------------------------------|
| 1 | L1 + 96" | FILL L1 - FILL L2 + WASH |
| 2 | L1 + 180" | CHECK L1 > WASH + HEATING |
| 3 | L1 + 180" | CHECK L1 > WASH |
| 4 | L1 + 180" | DRAIN PUMP + WASH |
| 5 | 180" | DRAIN PUMP + WASH |
| 6 | 84" | FILL + WASH |
| 7 | L1 + TH + 276" | CHECK L1 > WASH + HEATING |
| 8 | L1 + TH + 360" | CHECK L1 > WASH + HEATING |
| 9 | L1 + TH + 360" | FILL L1 > WASH + HEATING |
| 10 | L1 + TH + 360" | FILL L1 > WASH + HEATING |
| 11 | L1 + 360" | CHECK L1 > WASH |
| 12 | L1 + 180" | FILL L1 > WASH |
| 13 | L1 + TH + 180" | CHECK L1 > WASH + HEATING |
| 14 | L1 + TH + 360" | CHECK L1 > WASH + HEATING |
| 15 | L1 + 180" | FILL L1 > WASH |
| 16 | L1 + 180" | CHECK L1 > WASH |
| 17 | L1 + 360" | CHECK L1 > WASH |
| 18 | L1 + 360" | CHECK L1 > WASH |
| 19 | L1 + 84" (L2) | FILL L1 - FILL L2 + WASH (SHL) |
| 20 | 96" | DRAIN PUMP + WASH |
| 21 | L1 + 84" (L2) | FILL L1 - FILL L2 + WASH |
| 22 | L1 + 96" | CHECK L1 > WASH |
| 23 | L1 + 360" | CHECK L1 > WASH |
| 24 | 84" | DRAIN PUMP + WASH |
| 25 | L1 + 96" (L2) | FILL L1 - FILL L2 + WASH |
| 26 | L1 + 180" | CHECK L1 > WASH |
| 27 | L1 + 180" | CHECK L1 > WASH |
| 28 | 180" | DRAIN PUMP + WASH |
| 29 | 180" | DRAIN PUMP + SPINNING |
| 30 | L1 + 84" (L2) | FILL L1 - FILL L2 + WASH |
| 31 | L1 + 96" 296" | CHECK L1 > WASH |
| 32 | L1 + 180" | CHECK L1 > WASH (SRS) |
| 33 | L1 + 180" (360") | DRAIN PUMP + WASH |
| 34 | 180" | DRAIN PUMP + SPINNING |
| 35 | 180" | DRAIN PUMP + SPINNING |
| 36 | 360" | WASH (ANTICREASING) |
| 37 | INF | STOP |
| 38 | L1 + 360" | FILL L1 > WASH |
| 39 | L1 + TH + 360" | CHECK L1 > WASH + HEATING |
| 40 | L1 + 84" (L2) | FILL L1 - FILL L2 |
| 41 | L1 + 276" | CHECK L1 > WASH |
| 42 | L1 + TH + 180" | CHECK L1 > HEATING |
| 43 | L1 + 180" | CHECK L1 > WASH |
| 44 | L1 + 180" | CHECK L1 |
| 45 | L1 + 180" | CHECK L1 |
| 46 | 84" | DRAIN PUMP |
| 47 | L1 + 96" (L2) | FILL L1 - FILL L2 |
| 48 | L1 + 180" | CHECK L1 > WASH |
| 49 | 84" | DRAIN PUMP |
| 50 | L1 + 96" | FILL L1 - FILL L2 |
| 51 | L1 + 180" | CHECK L1 > WASH |
| 52 | 84" | DRAIN PUMP |
| 53 | L1 + 96" (L2) | FILL L1 - FILL L2 |
| 54 | L1 + 84" | CHECK L1 > WASH |
| 55 | INF / 96" | CHECK L1 (SRS) |
| 56 | L1 + 96" 180" | CHECK L1 |
| 57 | 180" 360" | DRAIN PUMP + SPINNING |
| 58 | 180" | DRAIN PUMP + SPINNING |
| 59 | 180" 360" | DRAIN PUMP |
| 60 | INF | STOP |

