

Title		Board size		Open Source	
Size: A4		5x10cm		Hardware	
Date: 21/01/2014		Number: 1		Revision: 2_02	
Time: 5:05:52 PM		Sheet 1 of 1		Gregory Davill	
File: C:\Users\Public\Documents\Altium\AD13\projects\ledBoardRing_5x10\Sheet1_SchDoc					

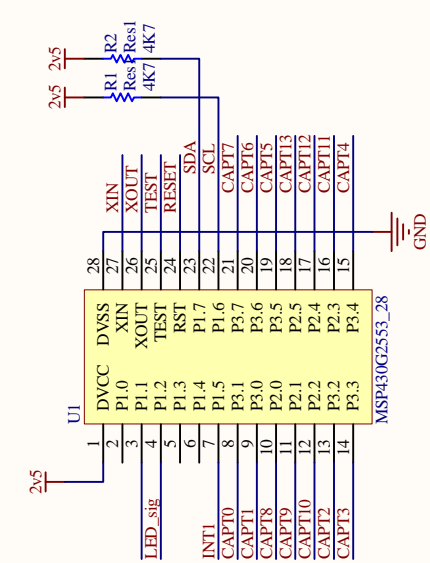
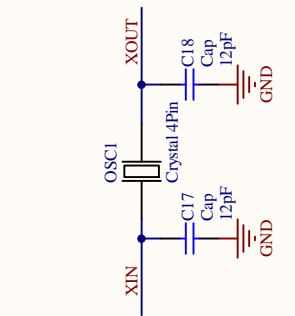
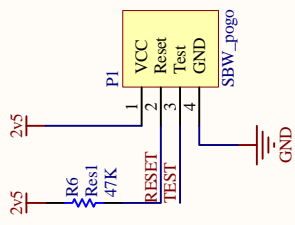


A

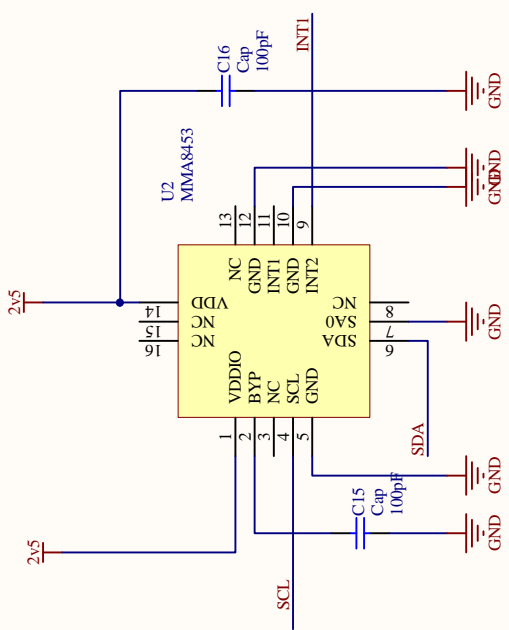
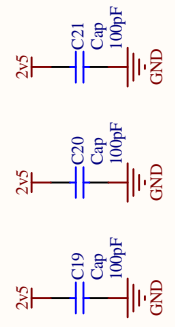
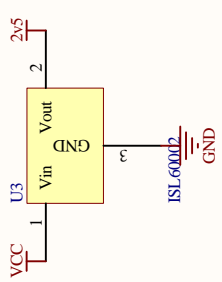
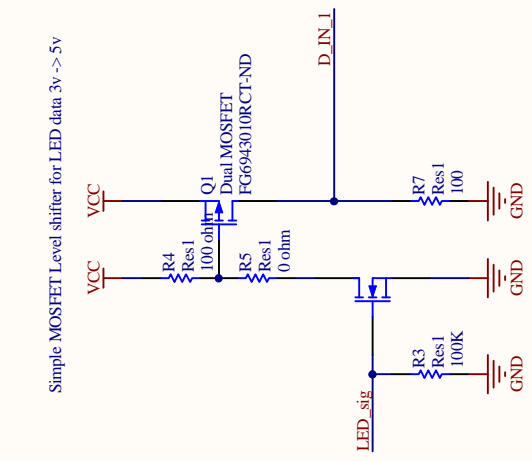
B

C

D



Simple MOSFET Level shifter for LED data 3v->5v



Title ledRing controller	
Size: A4	Number: *
Date: 6/05/2014	Revision: 1
File: D:\Temp\Temp_L_F2PDD4\HURHP28L.zip\ledRing_pcb\ledRing_Controller_01\ledController_main.SchDoc	Sheet 2 of 2

A

B

C

D