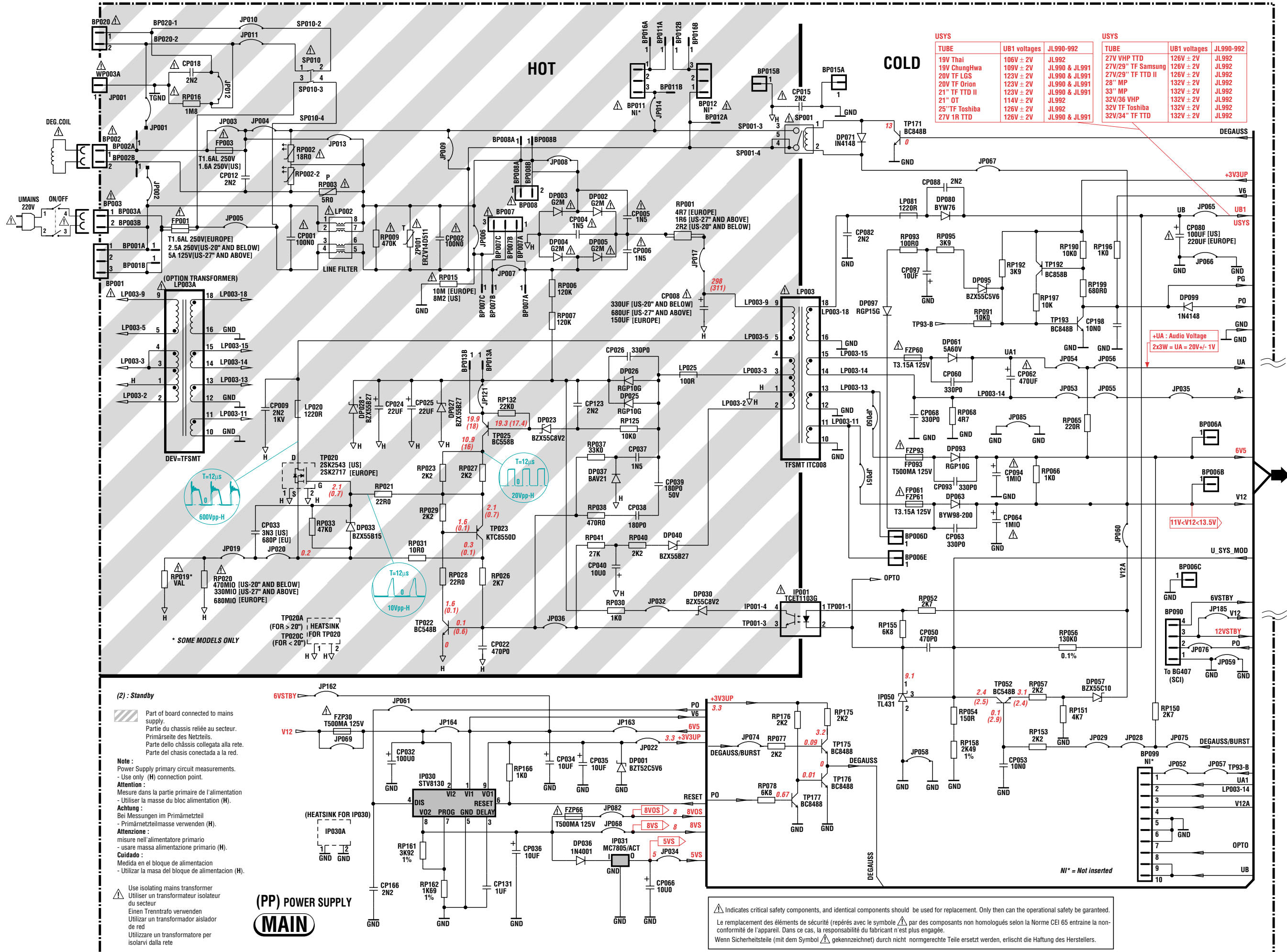
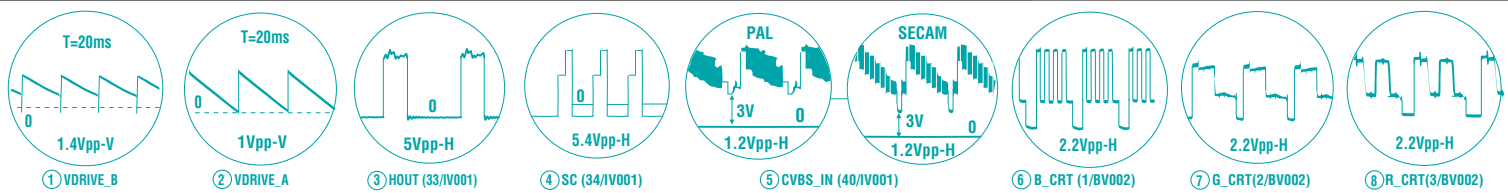
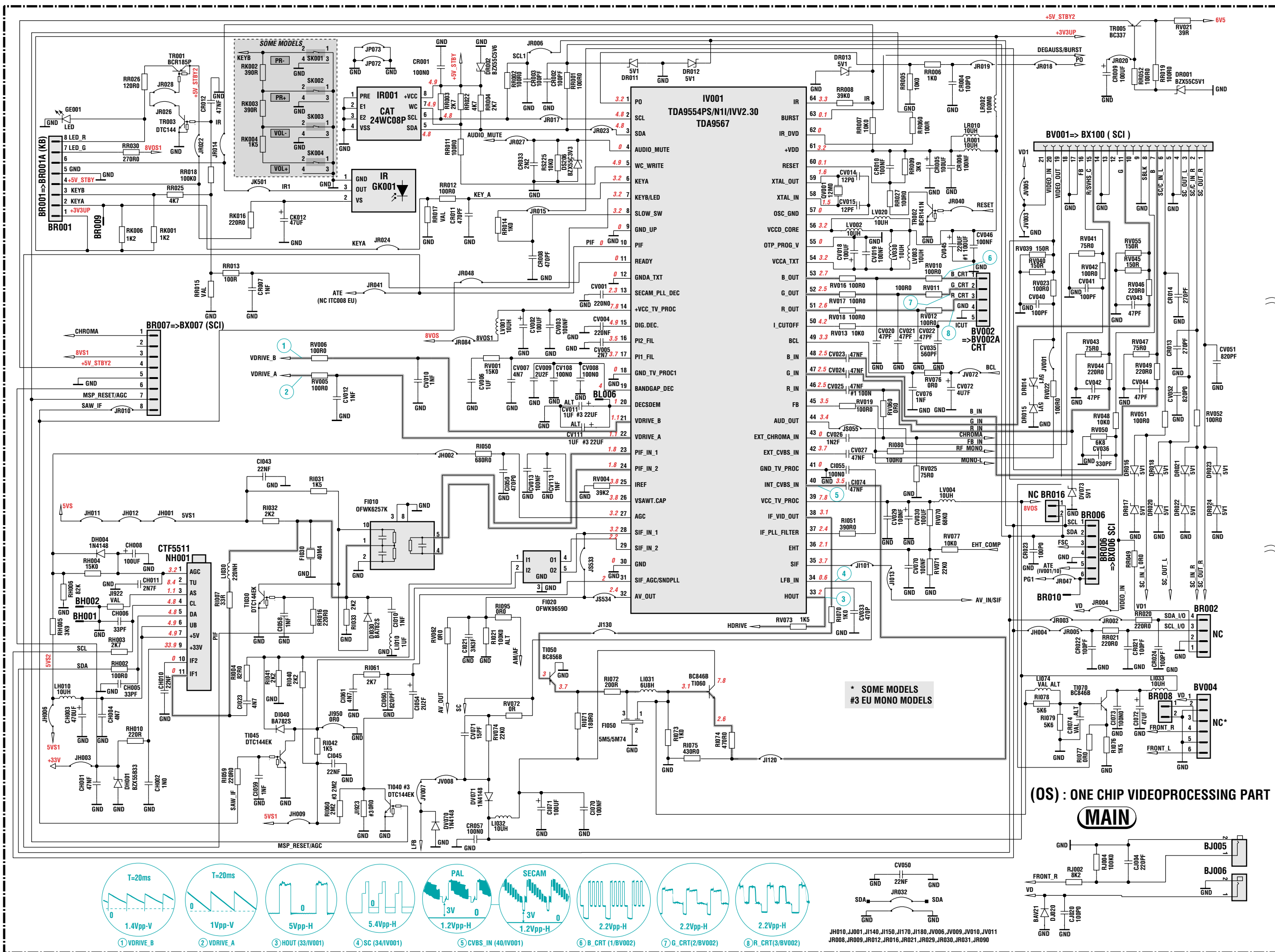


COMPLETE PCB DIAGRAM - SCHEMA PLATINE PRINCIPALE EQUIPEE - SCHALTUNG LEITERPLATTE KPL - SCHEMA PIASTRA COMPLETA - ESQUEMA PLATINA EQUIPADA





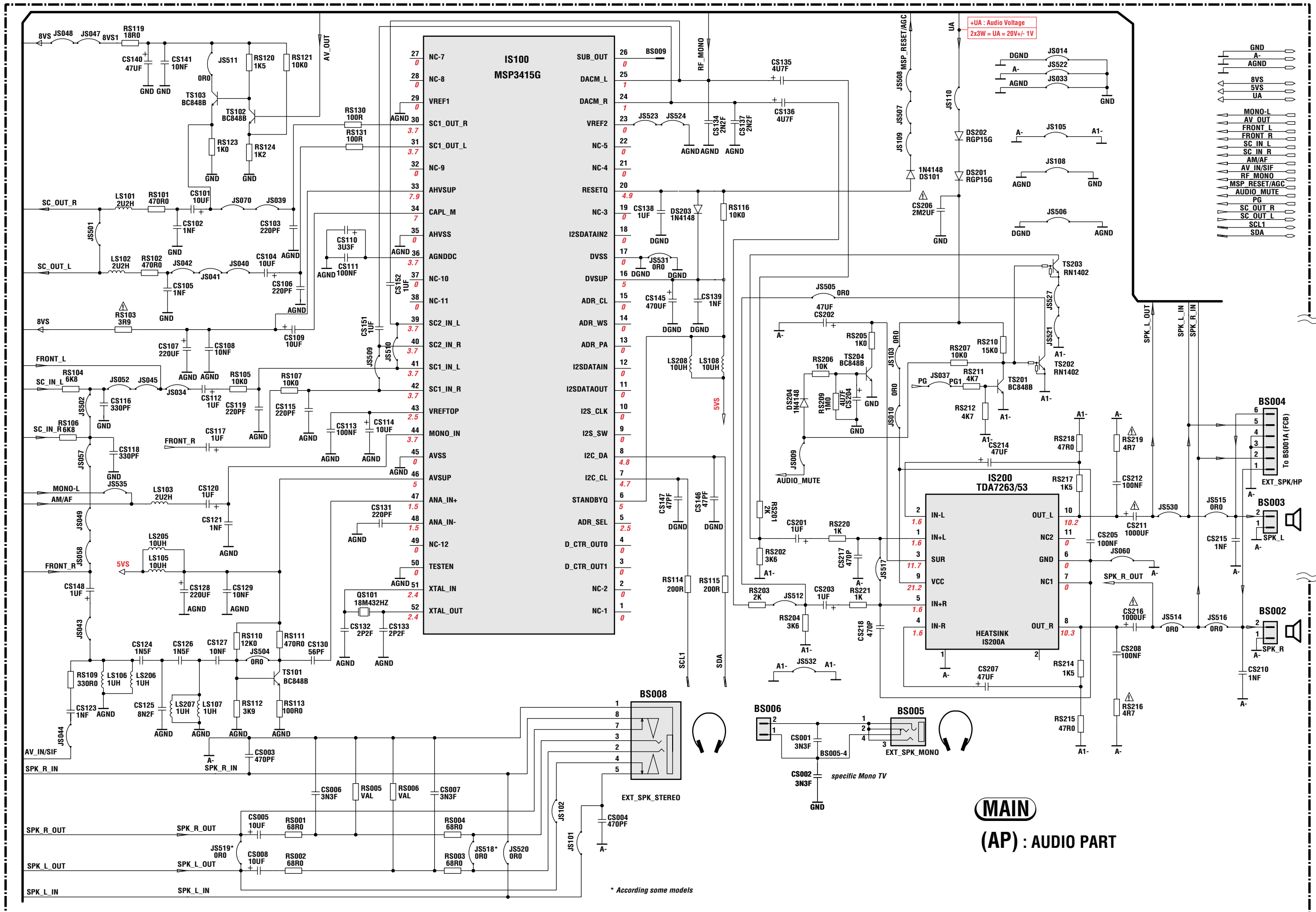
* SOME MODELS #3 EU MONO MODELS

(OS) : ONE CHIP VIDEOPROCESSING PART

MAIN

JH010, J001, J1140, J1150, J1170, J1180, J006, J009, J010, J011, J008, J009, J012, J016, J021, J023, J030, J031, J090

COMPLETE PCB DIAGRAM - SCHEMA PLATINE PRINCIPALE EQUIPEE - SCHALTUNG LEITERPLATTE KPL - SCHEMA PIASTRA COMPLETA - ESQUEMA PLATINA EQUIPADA

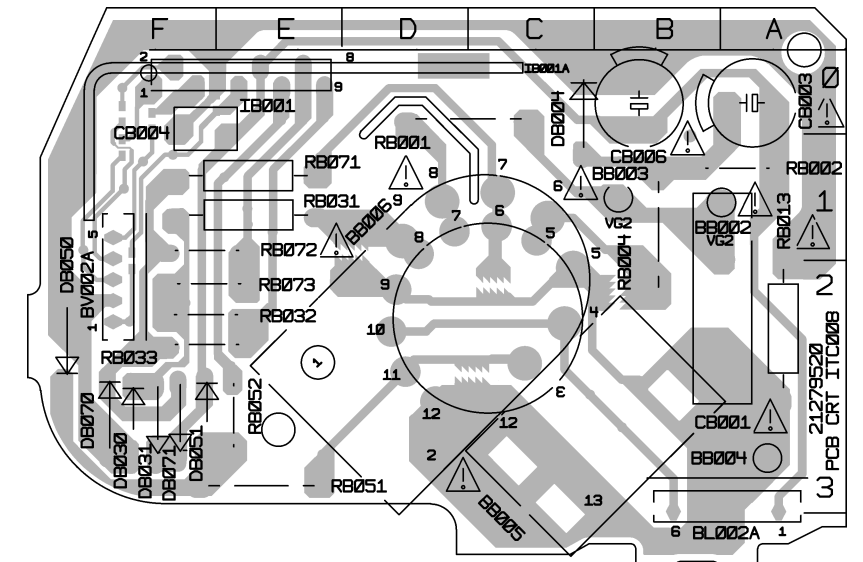
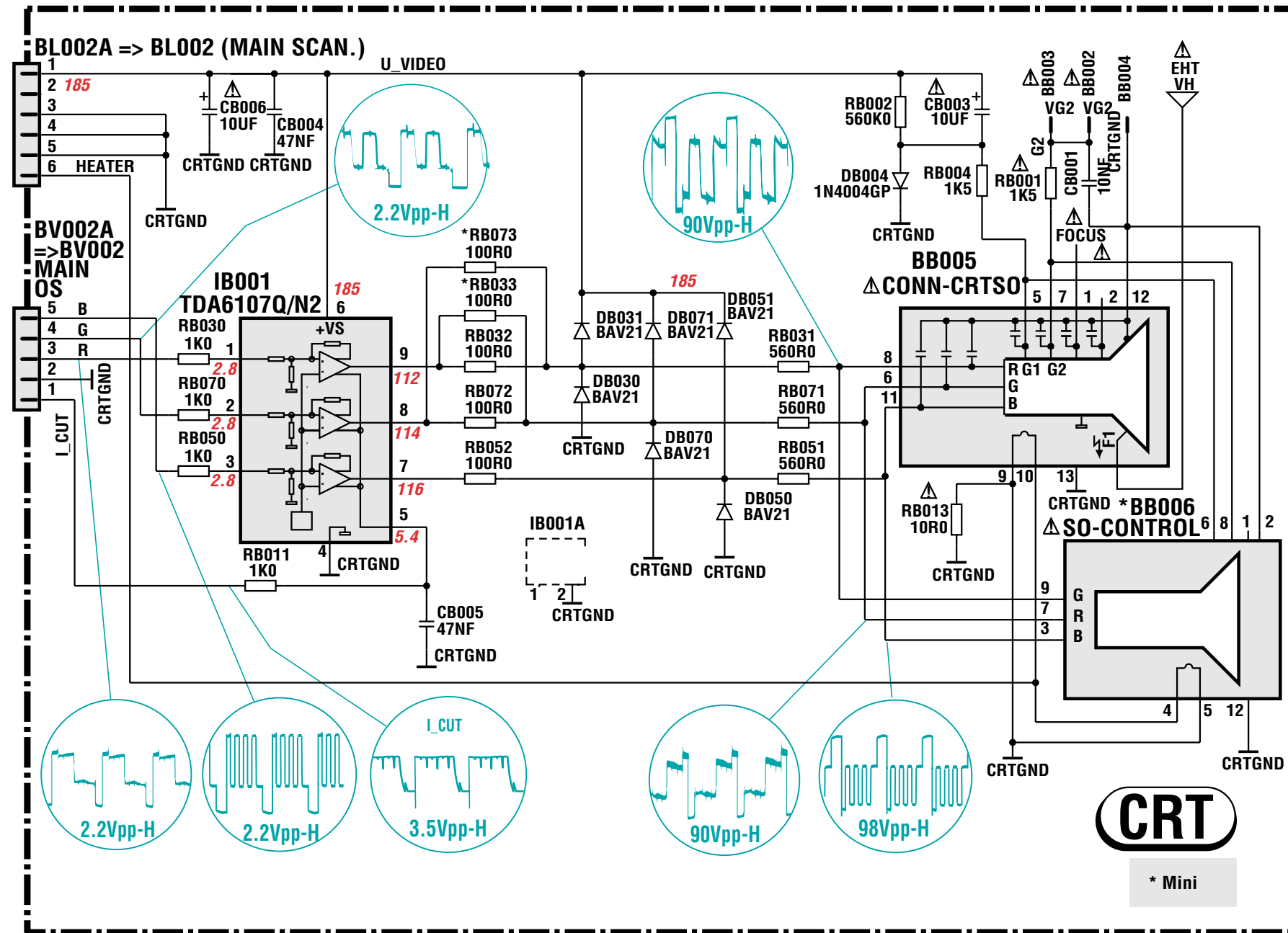


MAIN
(AP) : AUDIO PART

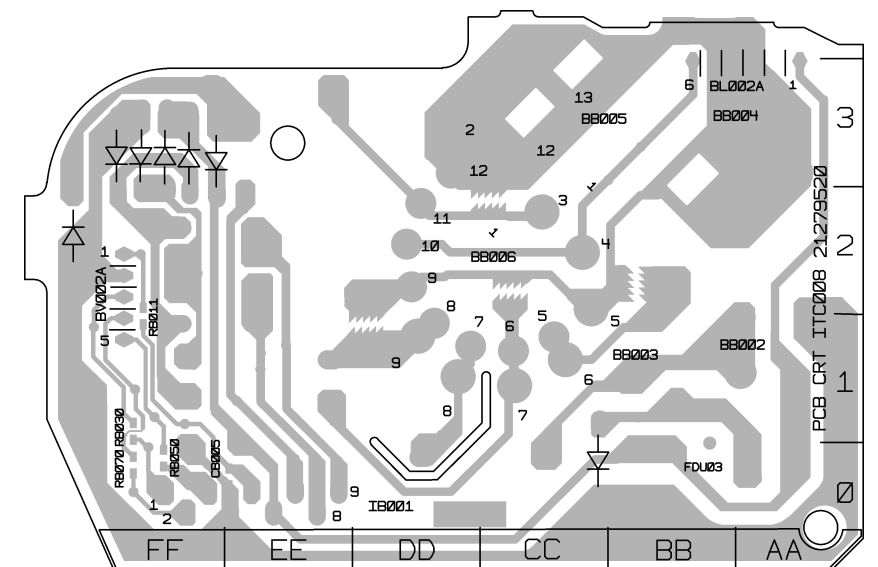
* According some models

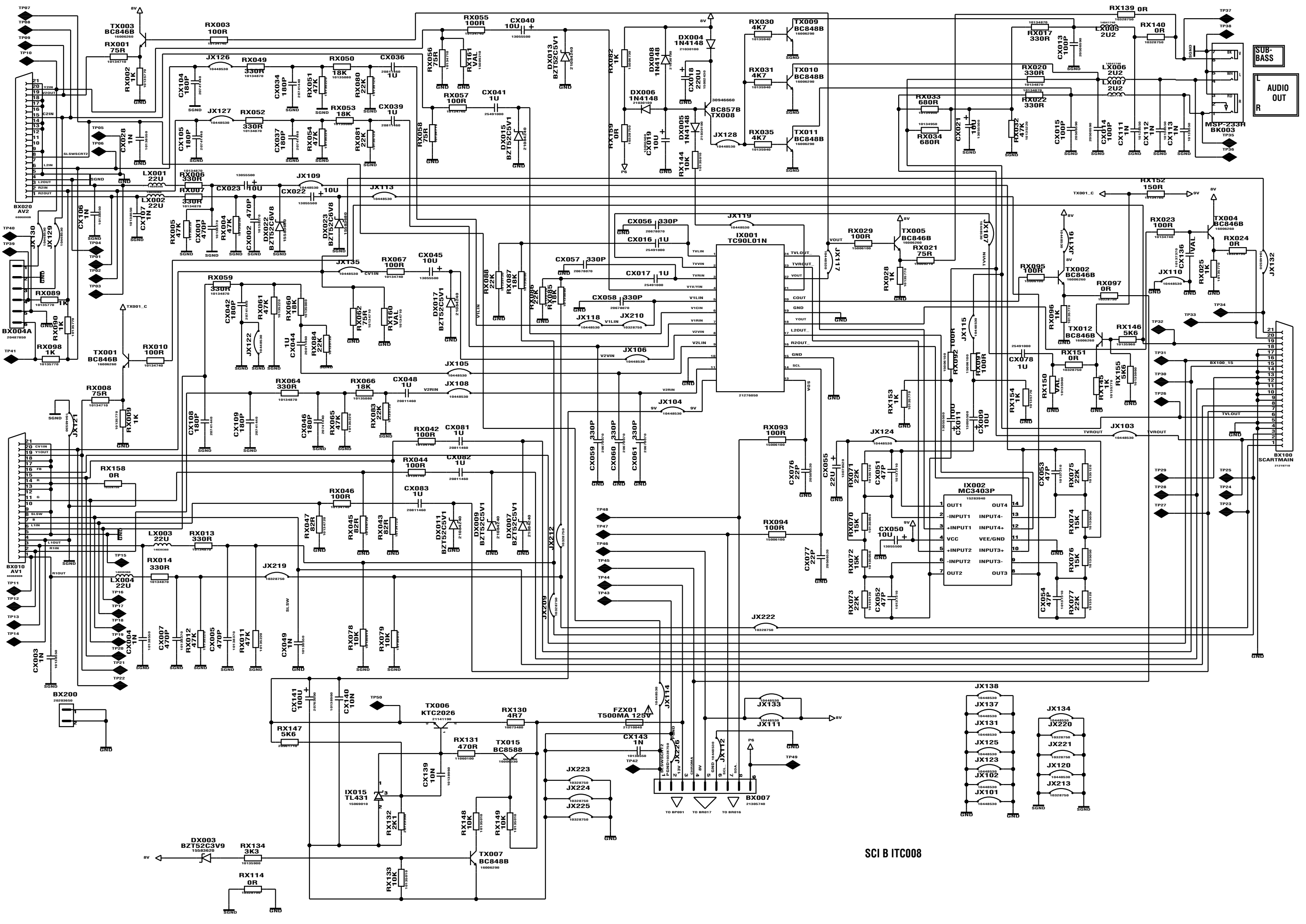
VIDEO AMPLIFIER BOARD - PLATINE AMPLIFICATEURS VIDEO - VIDEOVERSTÄRKERPLATTE - PIASTRA AMPLIFICATORE VIDEO - PLATINA AMPLIFICADOR VIDEO

COMPONENT SIDE - CÔTE COMPOSANTS - BESTÜCKUNGSSEITE - LATO COMPONENTI - LADO COMPONENTES



SOLDER SIDE - CÔTE SOUDURES - LÖTSEITE - LATO SALDATURE - LADO SOLDADURAS





SCI B ITC008

VHF / UHF TUNER CTF 5510 - CTF 5511

