

# SPECIFICATION FOR APPROVAL



MODEL NAME: HPC-420-302 DF REV:C0

PART NO: 91.42032.B04

ISSUE DATE : 2005.02.17

PART NO: 91.42032.B04

ISSUE DATE : 2005.02.17

Customer Approval



Approved By :	Checked By :

\* MANUFACTURER / 製造商 \*

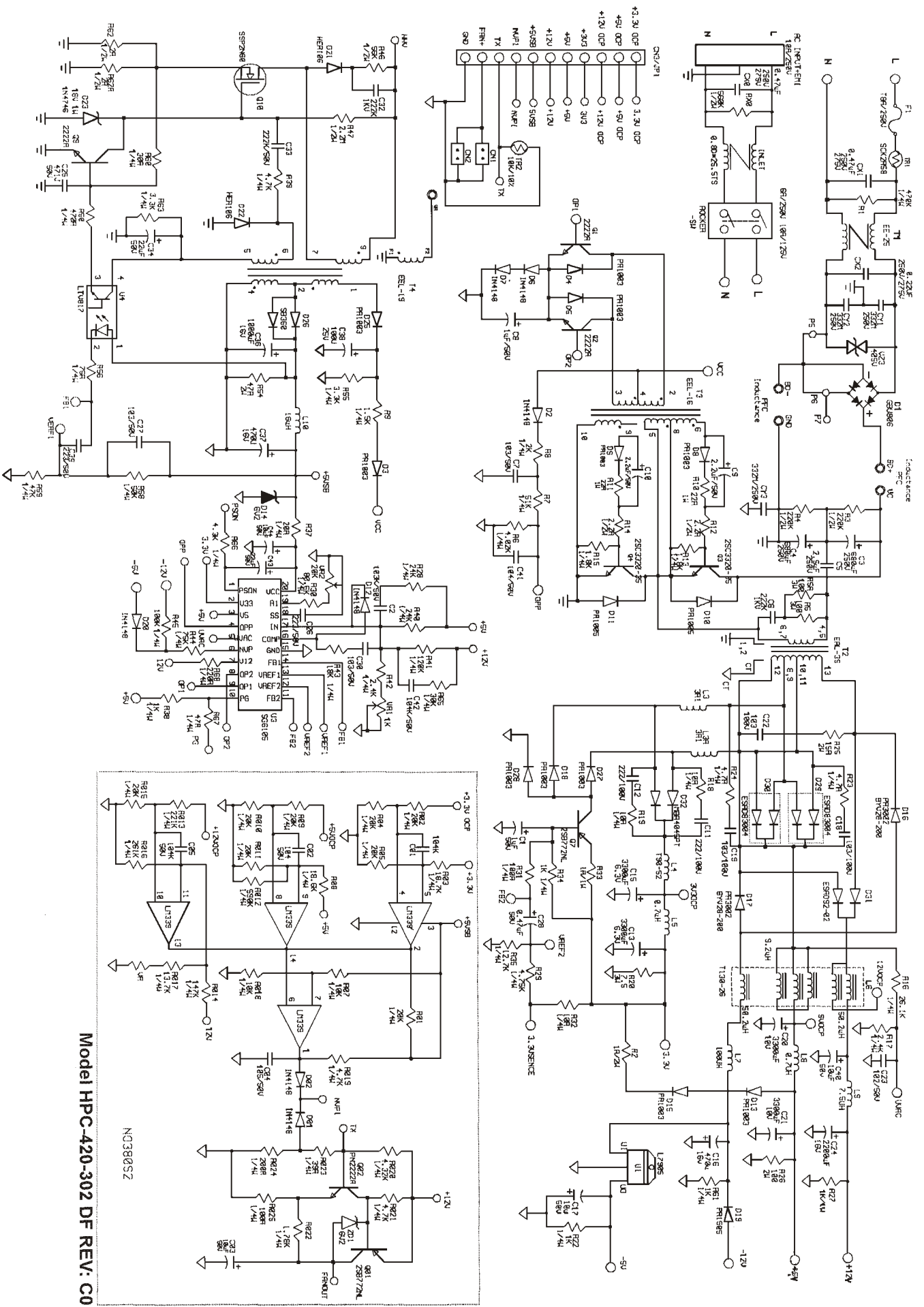
**SIRTEC INTERNATIONAL CO., LTD.**

協益電子股份有限公司

ADDRESS/地址：台北市內湖區基湖路 35 巷 49 號 3 樓

PHONE : 886-2-2659-2535 FAX : 886-2-2659-2265

		<b>CHIEFTEC</b>																															
MODEL : HPC-420-302 DF																																	
AC INPUT: 100 - 240V 8A	<table border="1"> <thead> <tr> <th colspan="6">DC OUTPUT</th> </tr> <tr> <th>+5V</th> <th>+3.3V</th> <th>+12V</th> <th>-5V</th> <th>-12V</th> <th>+5VSB</th> </tr> </thead> <tbody> <tr> <td>40A</td> <td>30A</td> <td>18A</td> <td>0.3A</td> <td>0.8A</td> <td>2A</td> </tr> <tr> <td colspan="2">220W</td> <td>216W</td> <td colspan="3">1.5W 9.6W 10W</td> </tr> <tr> <td colspan="3">400W MAX.</td> <td colspan="3"></td> </tr> </tbody> </table>			DC OUTPUT						+5V	+3.3V	+12V	-5V	-12V	+5VSB	40A	30A	18A	0.3A	0.8A	2A	220W		216W	1.5W 9.6W 10W			400W MAX.					
DC OUTPUT																																	
+5V	+3.3V	+12V	-5V	-12V	+5VSB																												
40A	30A	18A	0.3A	0.8A	2A																												
220W		216W	1.5W 9.6W 10W																														
400W MAX.																																	
FREQUENCY : 50 - 60 Hz	<p>Tested To Comply With FCC Standards FOR HOME OR OFFICE USE</p> <p><b>D33081</b></p>																																
MAX. LOAD : 420W	<p><b>WARNING</b> HAZARDOUS VOLTAGES CONTAINED WITHIN THIS POWER SUPPLY, NOT USER SERVICEABLE. RETURN TO SERVICE CENTER FOR REPAIR.</p> <p><b>ATTENTION</b> TENSIONS DANGEREUSES NE PEUT ÊTRE RÉPARÉ PAR L'UTILISATEUR. POUR TOUTE RÉPARATION RENVOYER AU SERVICE APRÈS VENTE.</p>																																
	<p><b>WARNING</b> NETZTEIL UNTER GEFÄHRLICHER SPANNUNG. NICHT VOM BENUTZER ZU REPARIEREN. ZUR REPARATUR AN KUNDENDIENST ZURÜCKSENDEN.</p> <p><b>PELIGRO</b> ESTE FUENTE DE PODER UTILIZA ALTA TENSION. NO CONTIENE NINGÚN ELEMENTO REPARABLE POR EL USUARIO FAVOR DE ENVIAR AL CENTRO DE SERVICIO PARA SU REPARACIÓN. SF FJ</p>																																
40.42032.004 CG																																	



Model HPC-420-302 DF REV: C0

N03805Z

