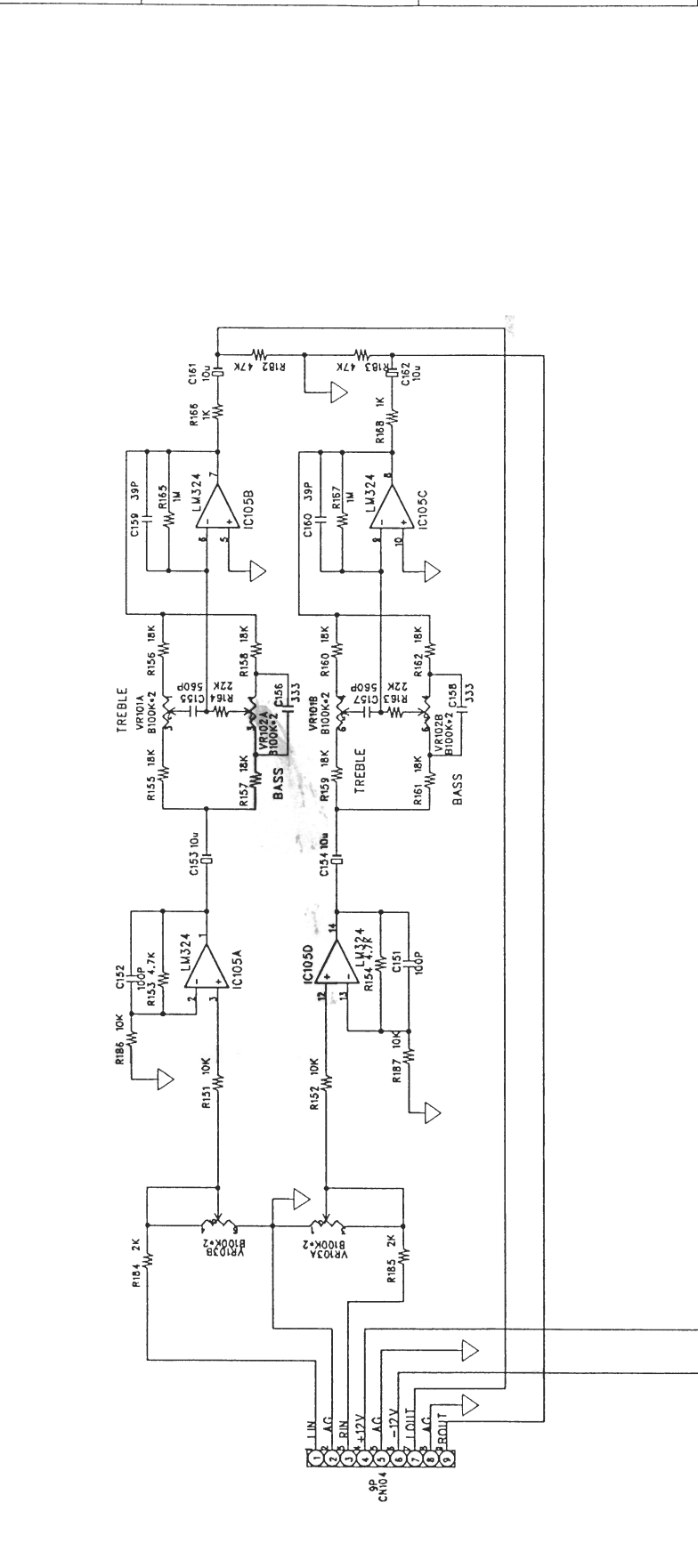


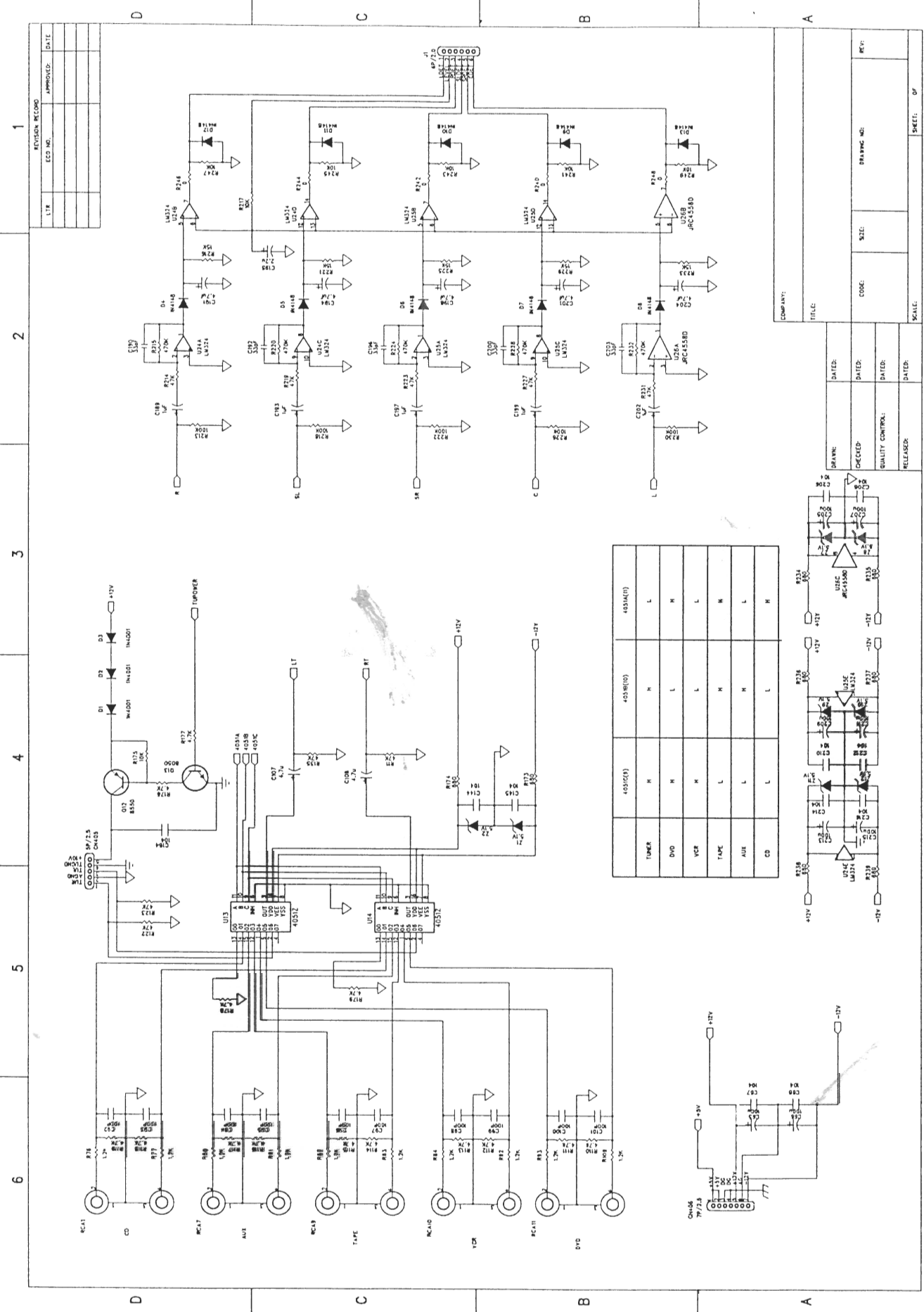
1
2
3
4
5
6

REVISION RECORD		
LTR	ECD NO:	APPROVED:



COMPANY:		DRAWN:		DATED:	
TITLE:		CHECKED:		DATED:	
SCALE:		QUALITY CONTROL:		DATED:	
SHEET: OF		RELEASED:		DATED:	
DRAWING NO:		CODE:		SIZE:	
REVY:					

D C B A



REVISION RECORD		
LT#	ECD NO.	APPROVED DATE

COMPANY:	TITLE:

DATE:	DATE:	DATE:	DATE:

SCALE:	SHEET:	OF

