



OMNITRONIC PM-524

Pro-Mixer

Service-manual

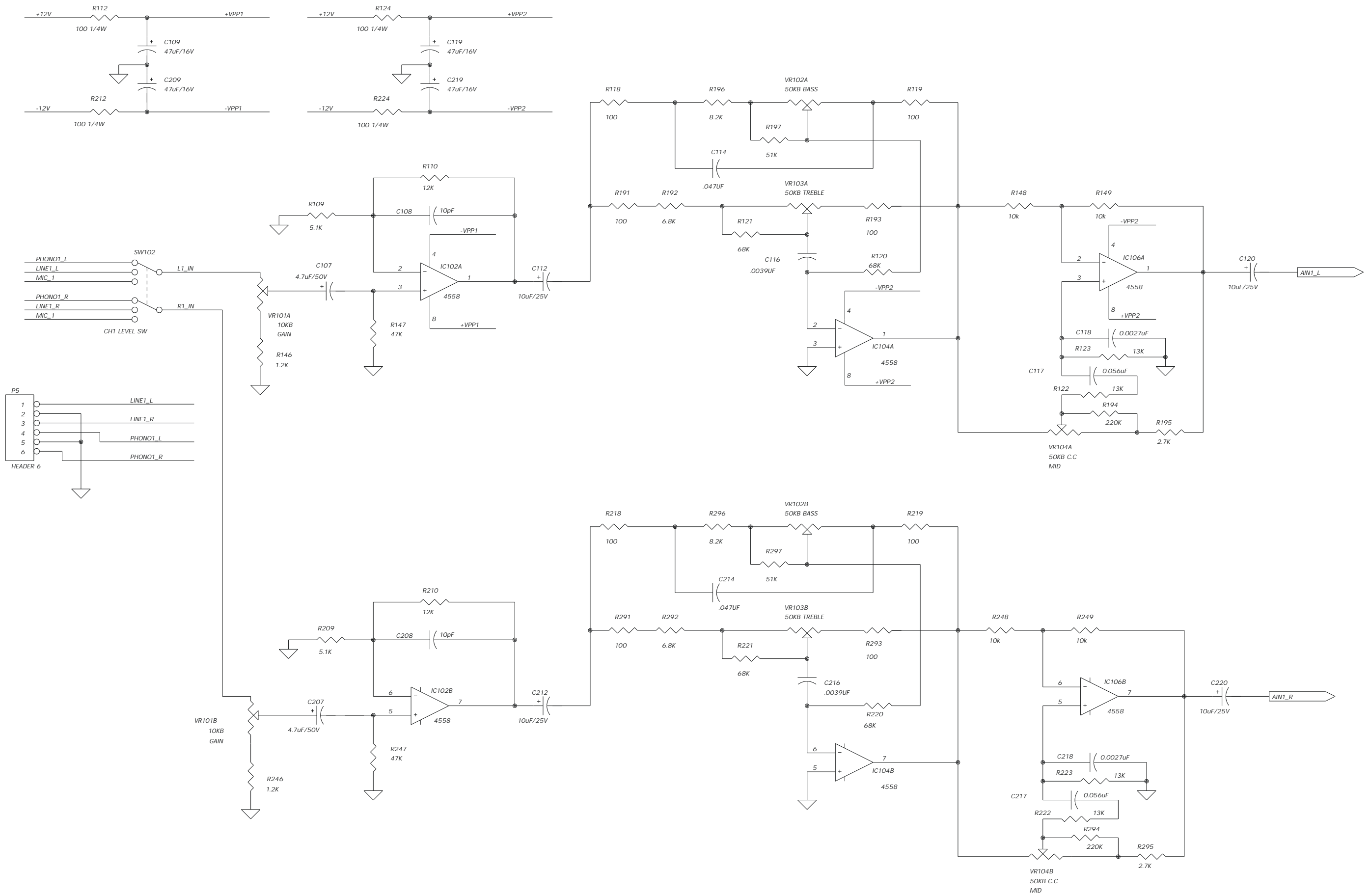
Serviceunterlagen

Documents techniques

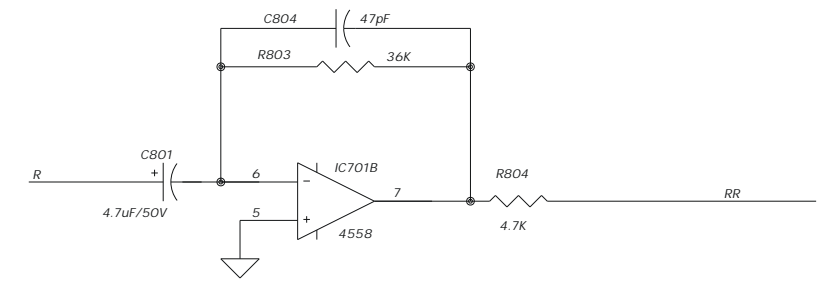
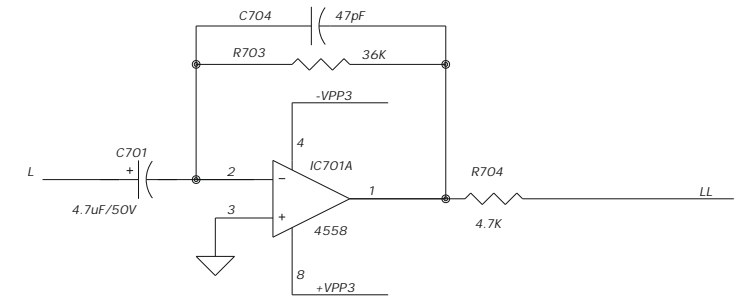
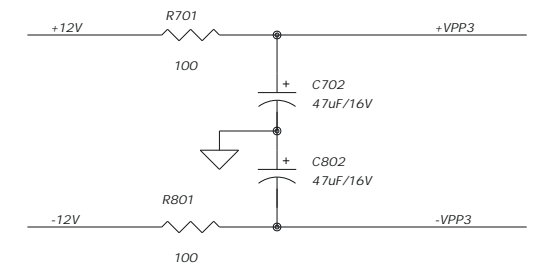
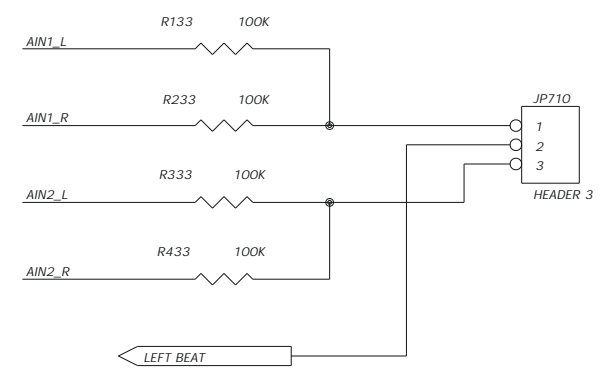
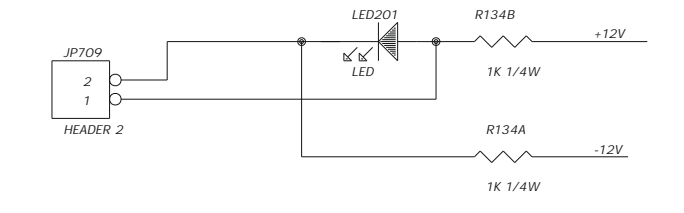
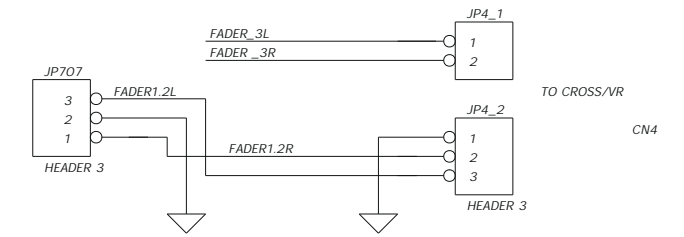
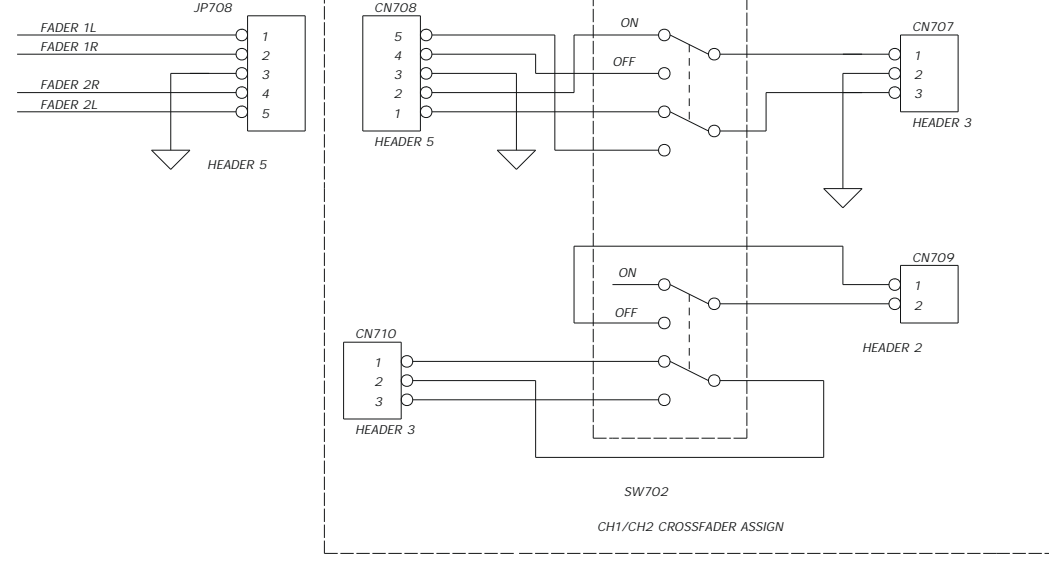
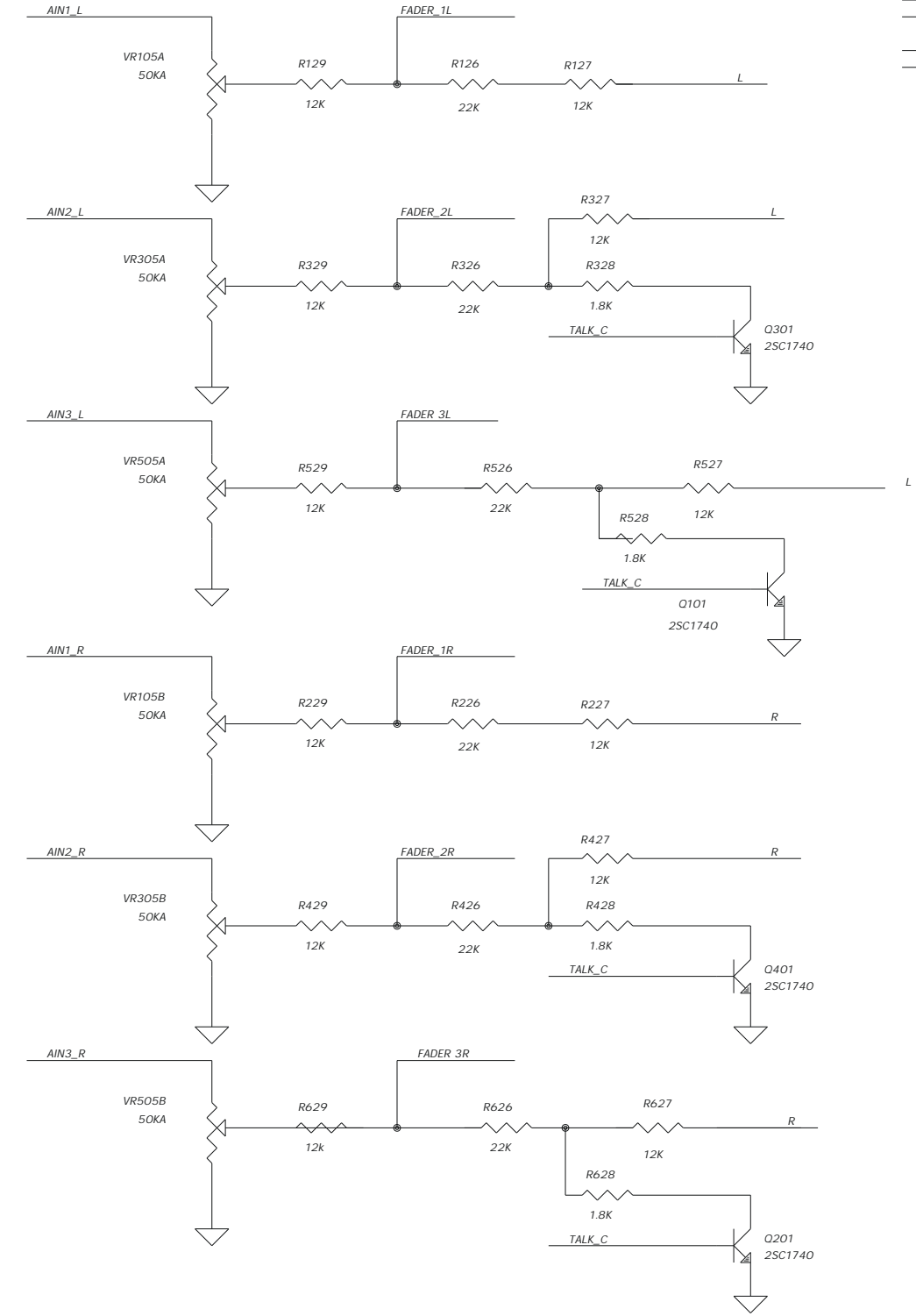
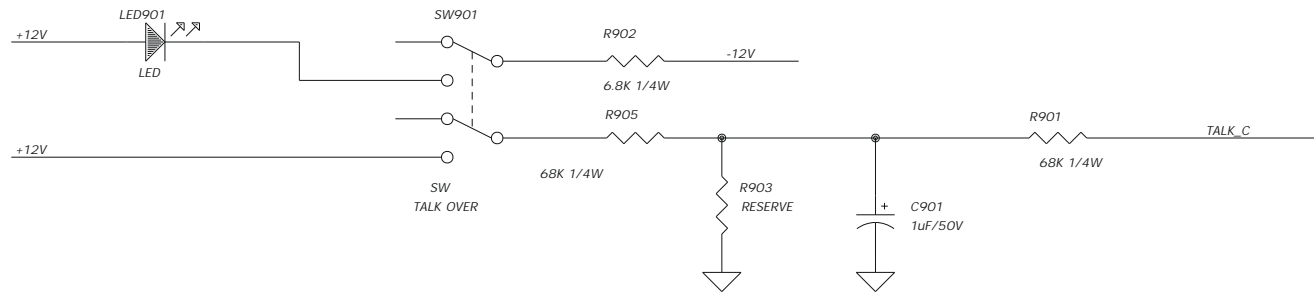
Documentos de servicio

Version 2.0

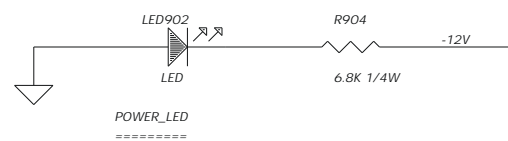
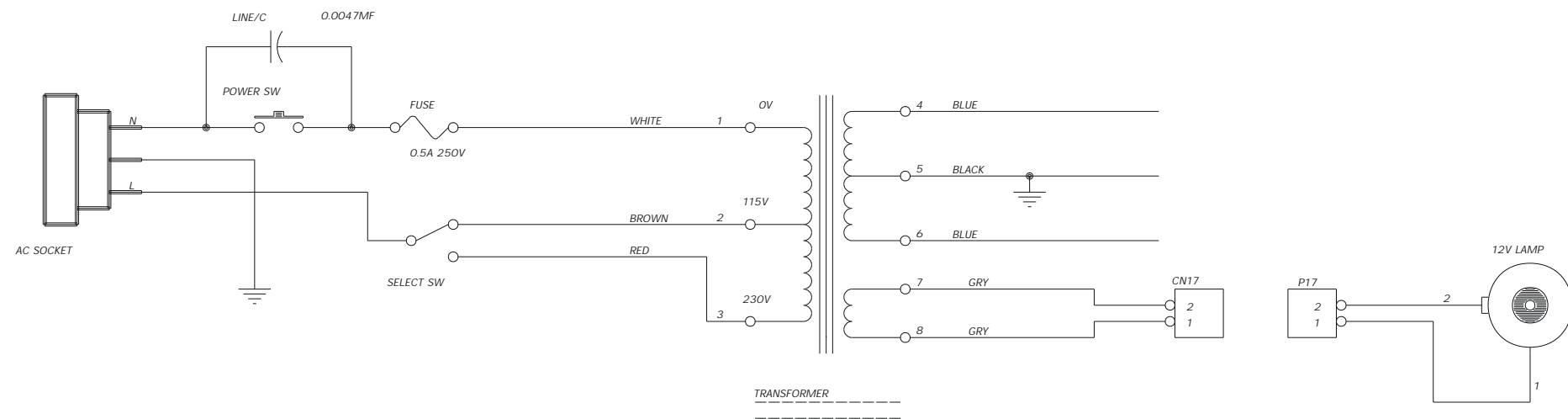
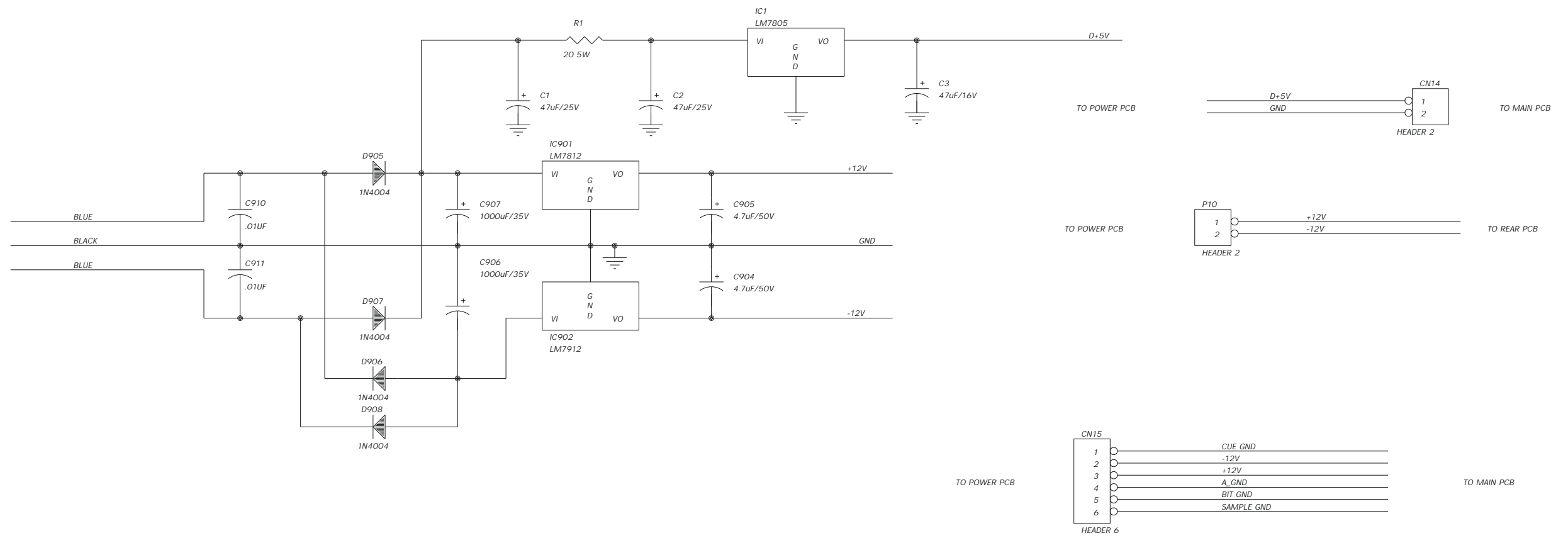
I. No.	Artikelbeschreibung	Article designation	Description d'article
1	GAIN-Poti für PM-524	GAIN-poti for PM-524	GAIN-poti pour PM-524
2	BASS/MIDDLE/TREBLE-Poti für PM-524	BASS/MIDDLE/TREBLE-poti for PM-524	BASS/MIDDLE/TREBLE-poti pour PM-524
3	BALANCE-Poti für PM-524	BALANCE-poti for PM-524	BALANCE-poti pour PM-524
4	Trafo für PM-524	Transformer for PM-524	Transformateur pour PM-524
5	Netzschalter für PM-524	Powerswitch for PM-524	Interrupteur ON/OFF pour PM-524
6	Netzleitung für PM-524 (EU Version)	Power cable for PM-524 (EU version)	Câble d'alimentation p.PM-524(EU version)
7	Netzleitung für PM-524 (US Version)	Power cable for PM-524 (US version)	Câble d'alimentation p.PM-524(US version)
8	Kanalfader für PM-524	Channel fader for PM-524	Fader canal pour PM-524
9	Crossfader für PM-524	Crossfader for PM-524	Crossfader pour PM-524
10	Netzschalter für 524Serie	Powerswitch for 524series	Interrupteur ON/OFF pour série 524
11	Drehknopf schwarz 0°	Rotary knob black 0°	Bouton rotatif noir 0°
12	Schaltplan für PM-524	Circuit diagram for PM-524	Schema de connexions pour PM-524



BIGROUP CORP.		
Title		
PM524 SX524 BX524 FX524 CH_1 TONE		
Size	Document Number	REV
B	524_CH1.SCH	A
Date:	May 28, 1999	Sheet 5 of 14

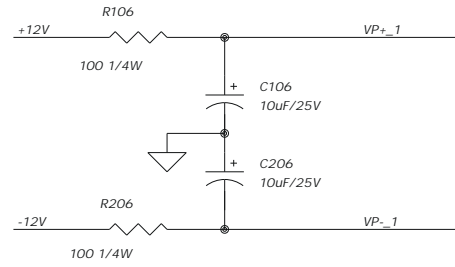


BIGROUP CORP.		
Title PM524 MIX.SCH		
Size B	Document Number MIX.SCH	REV B
Date: November 10, 1999	Sheet 9	of 14

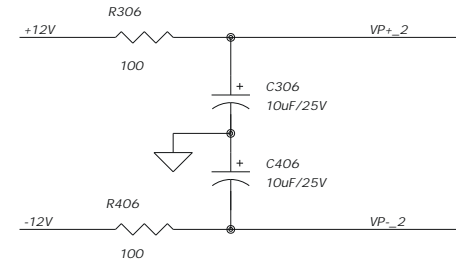
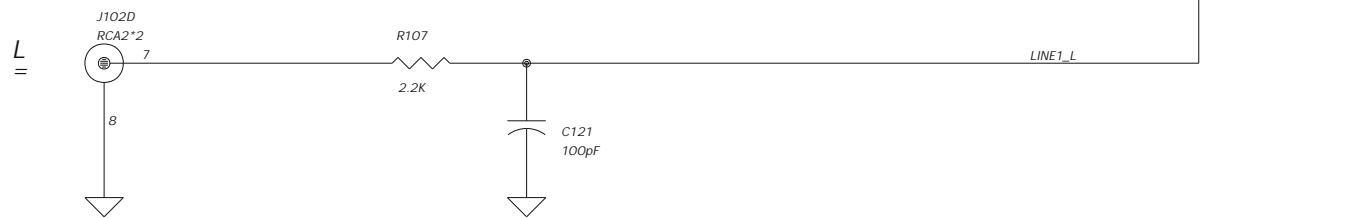
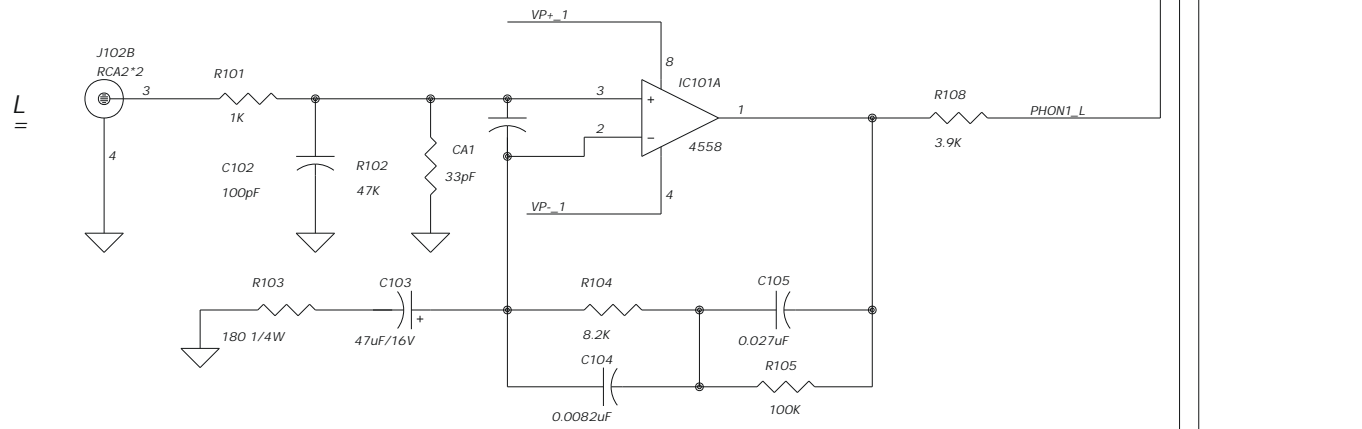
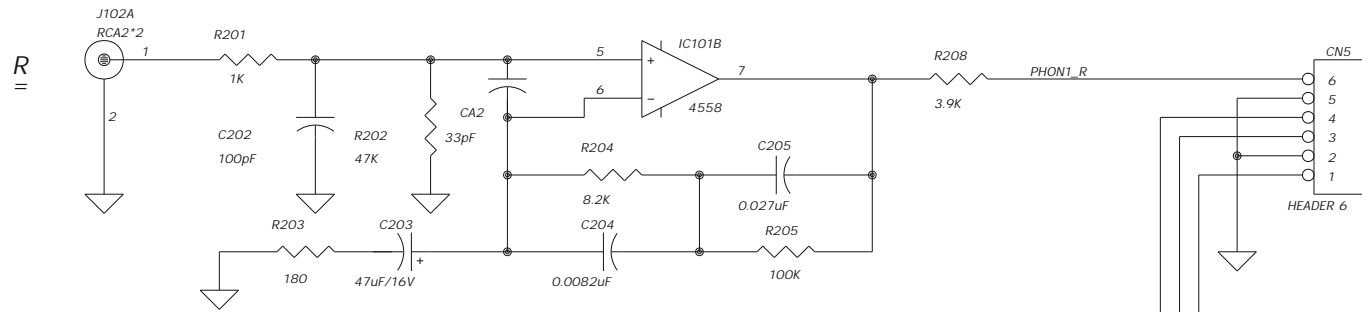


PHONIC CORP.		
Title PM524 POWER SUPPLY		
Size B	Document Number POWER.SCH	REV A
Date: February 13, 1999	Sheet 1	of 14

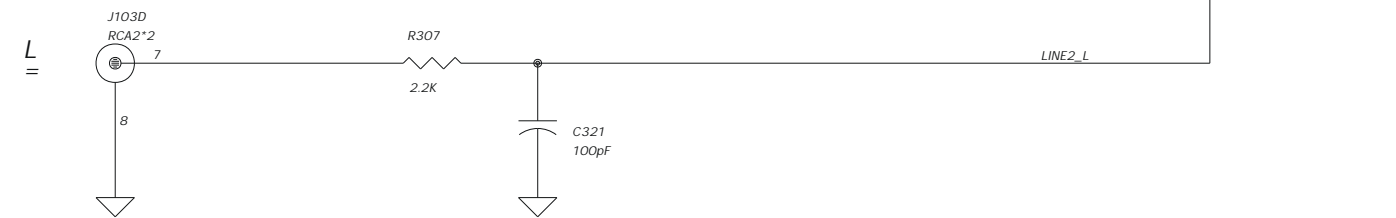
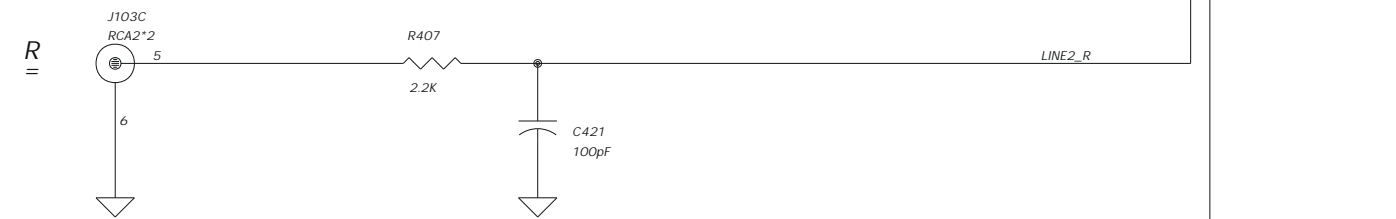
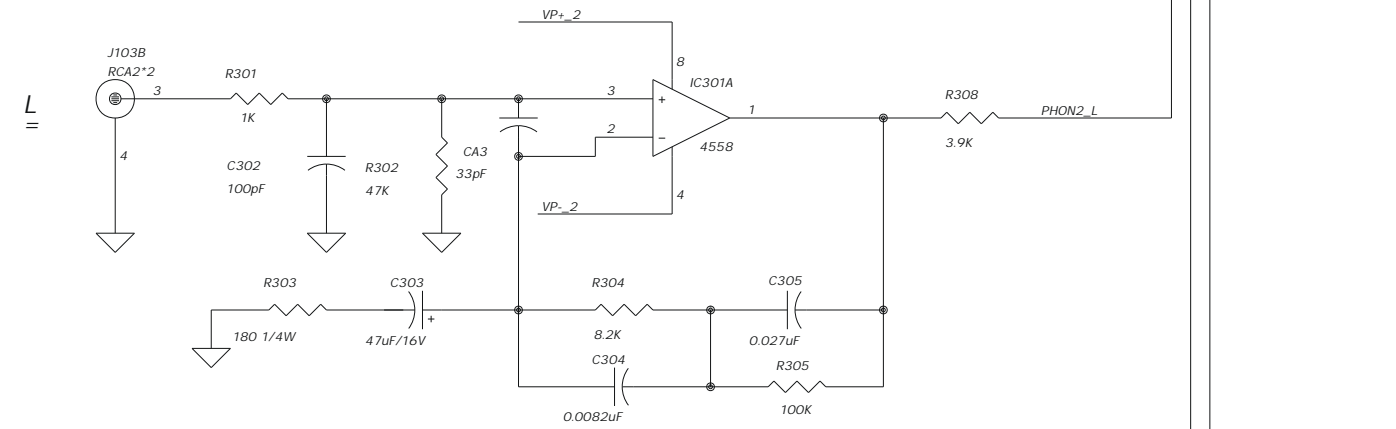
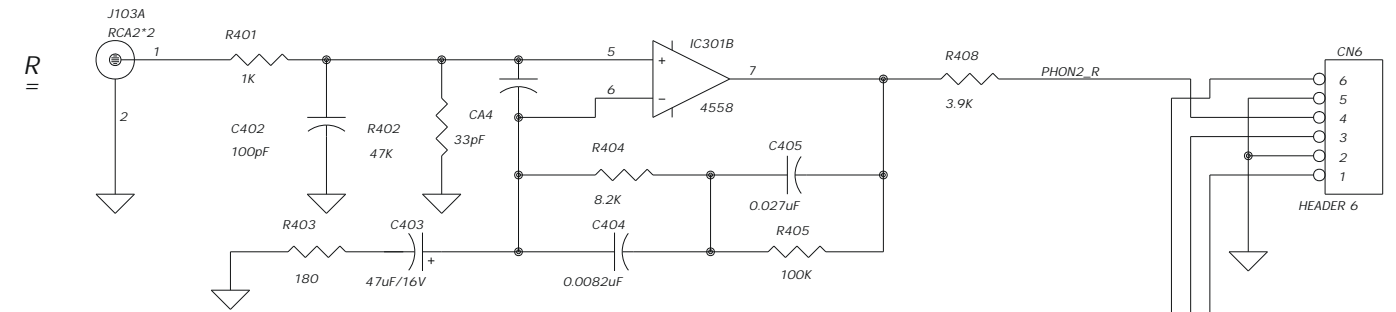
TO POWER SUP PCB



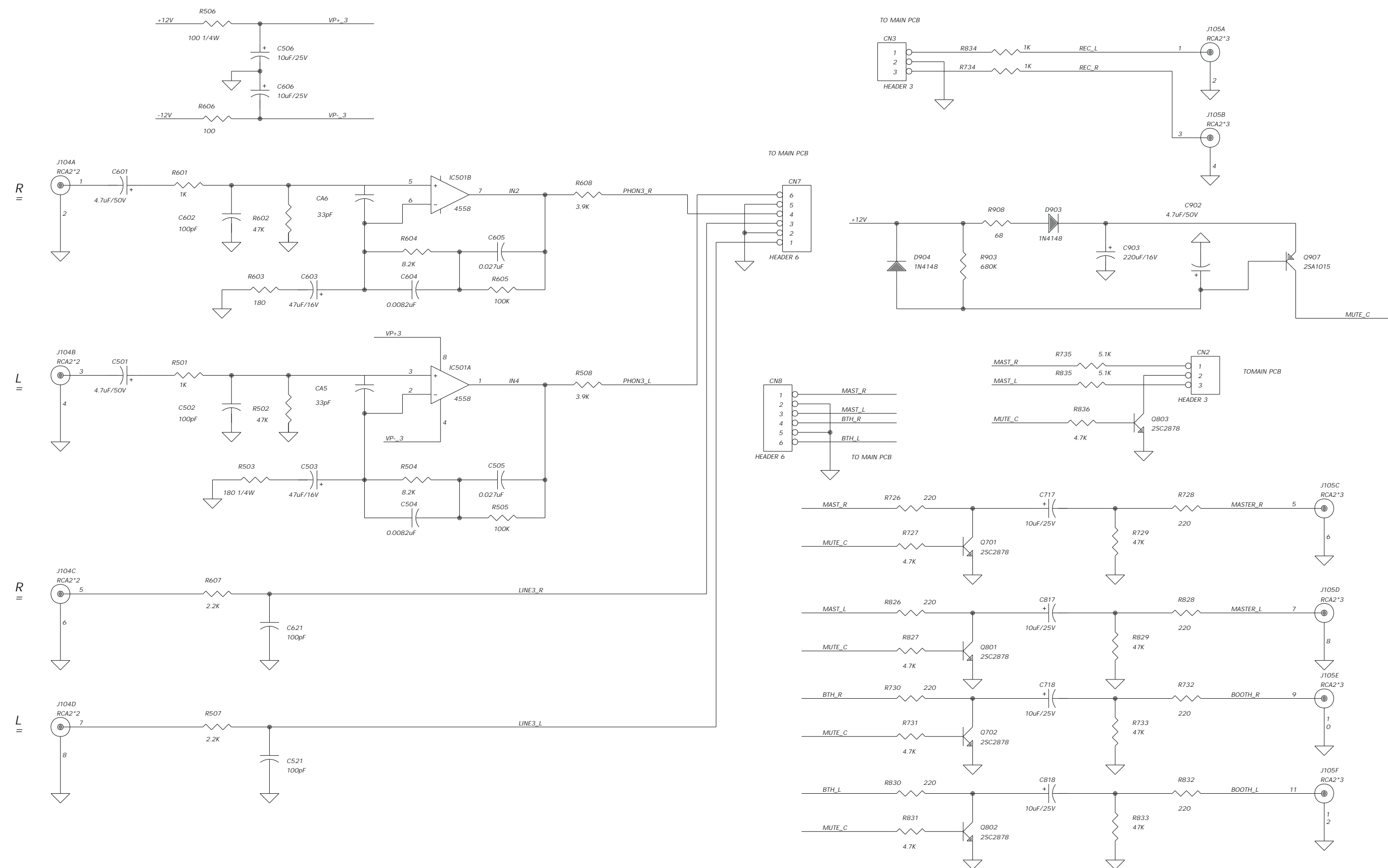
TO MAIN PCB P5

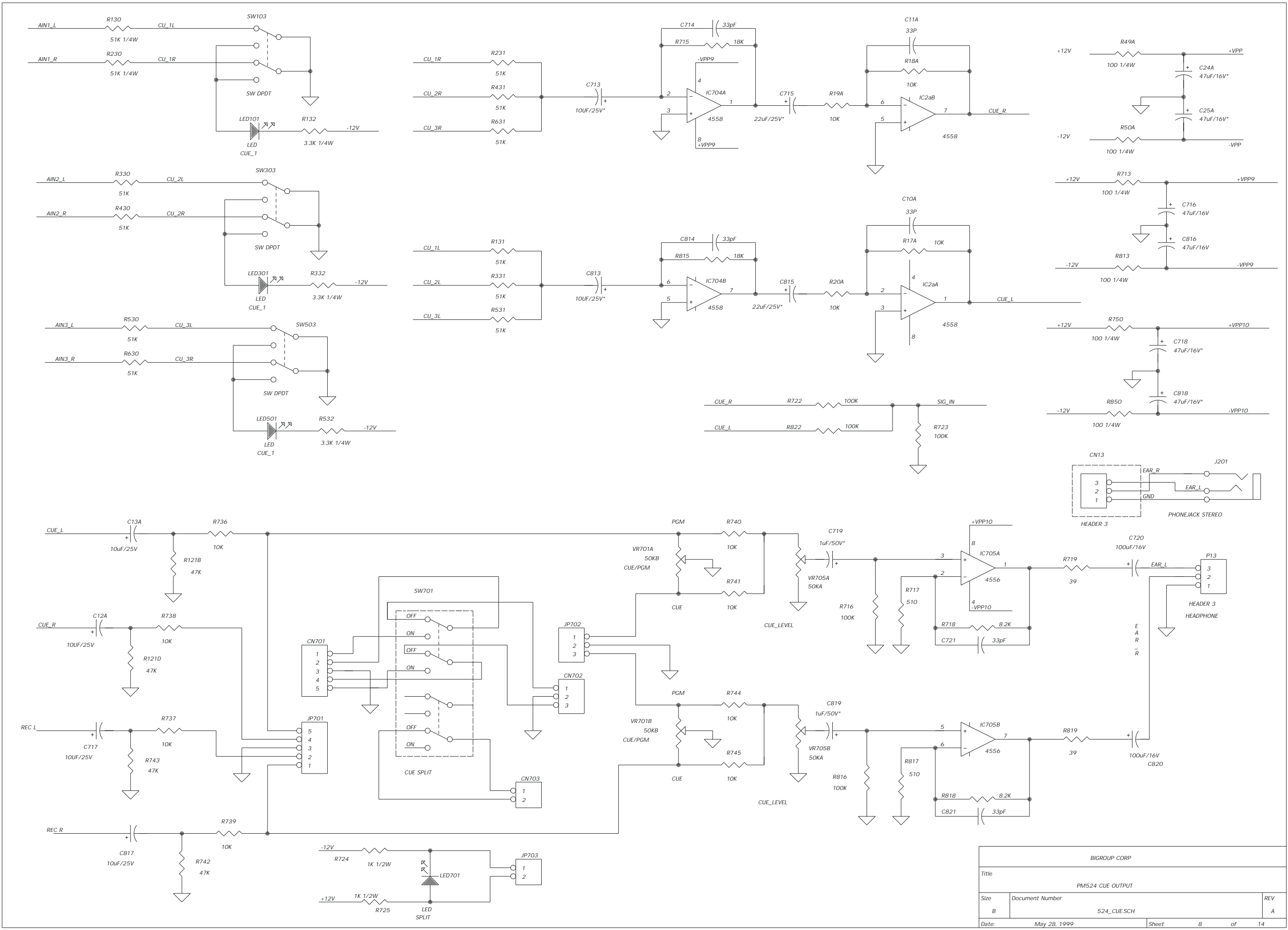


TO MAIN PCB P6

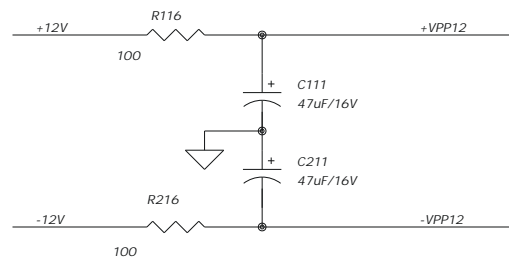
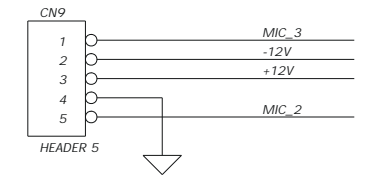
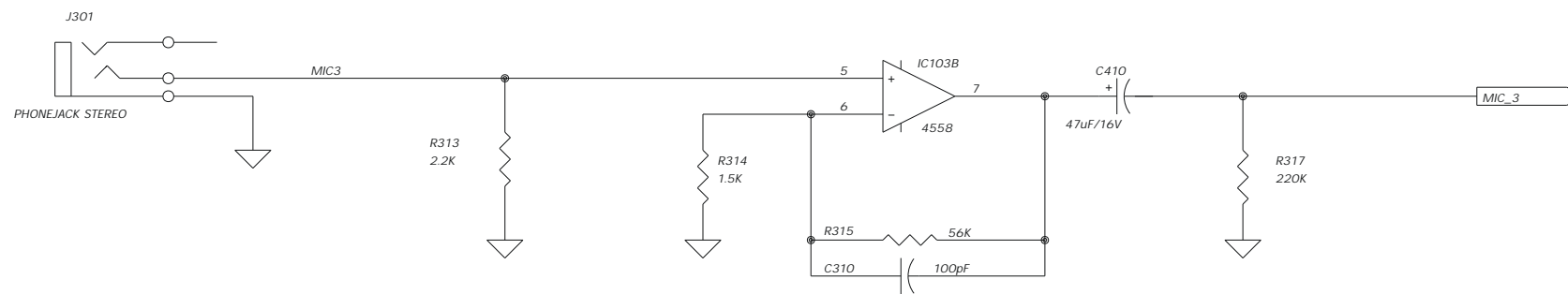
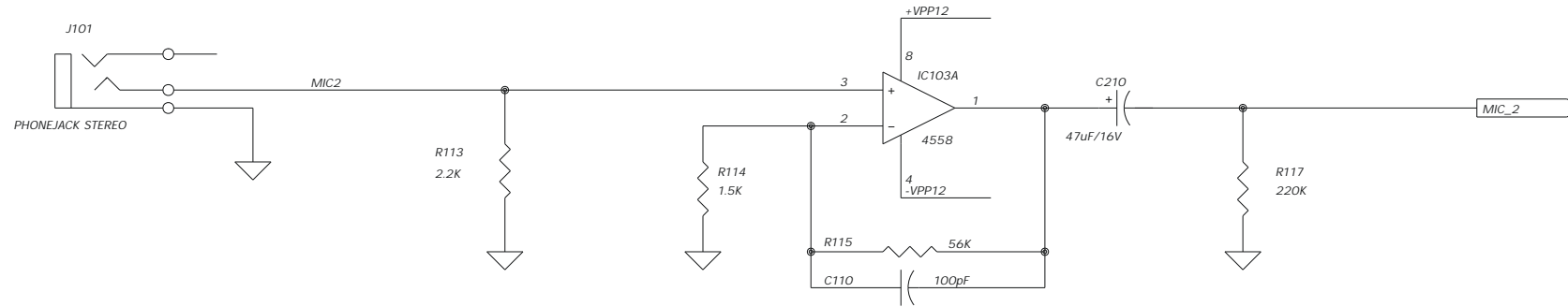
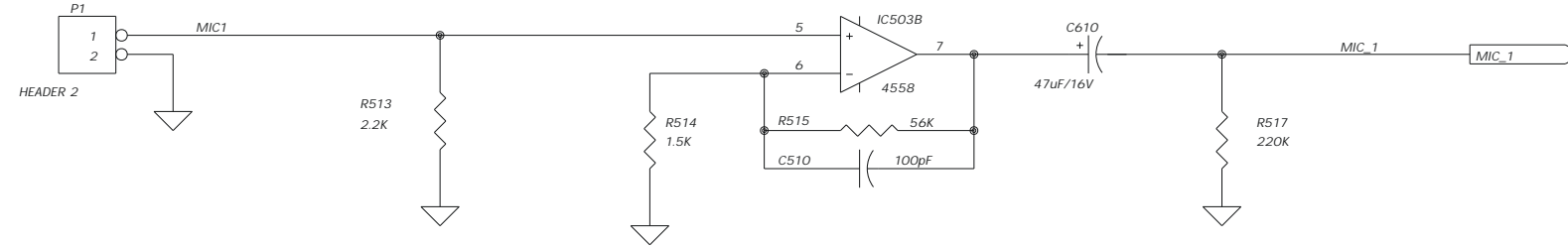
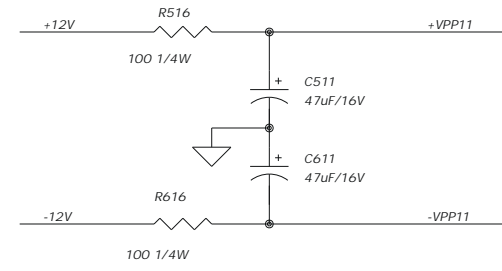
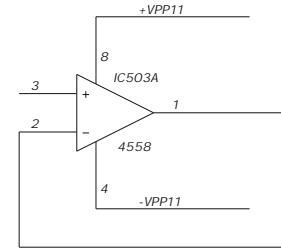
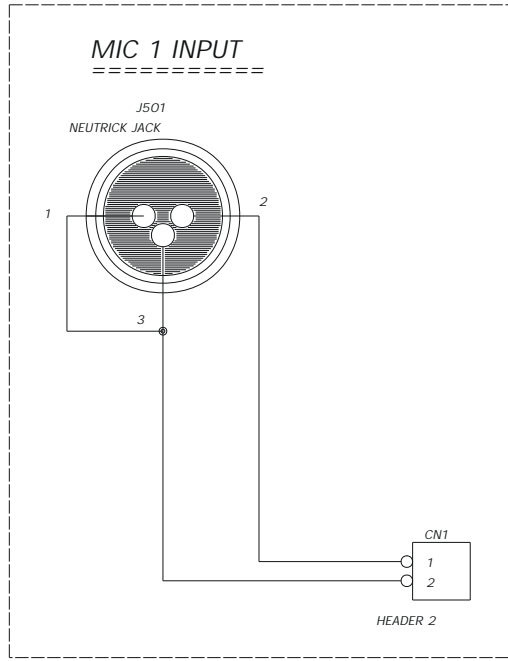


BIGROUP CORP.		
Title PMS24 REAR CH_1_2 INPUT		
Size B	Document Number REAR1.SCH	REV A
Date: July 2, 1999	Sheet 2	of 14

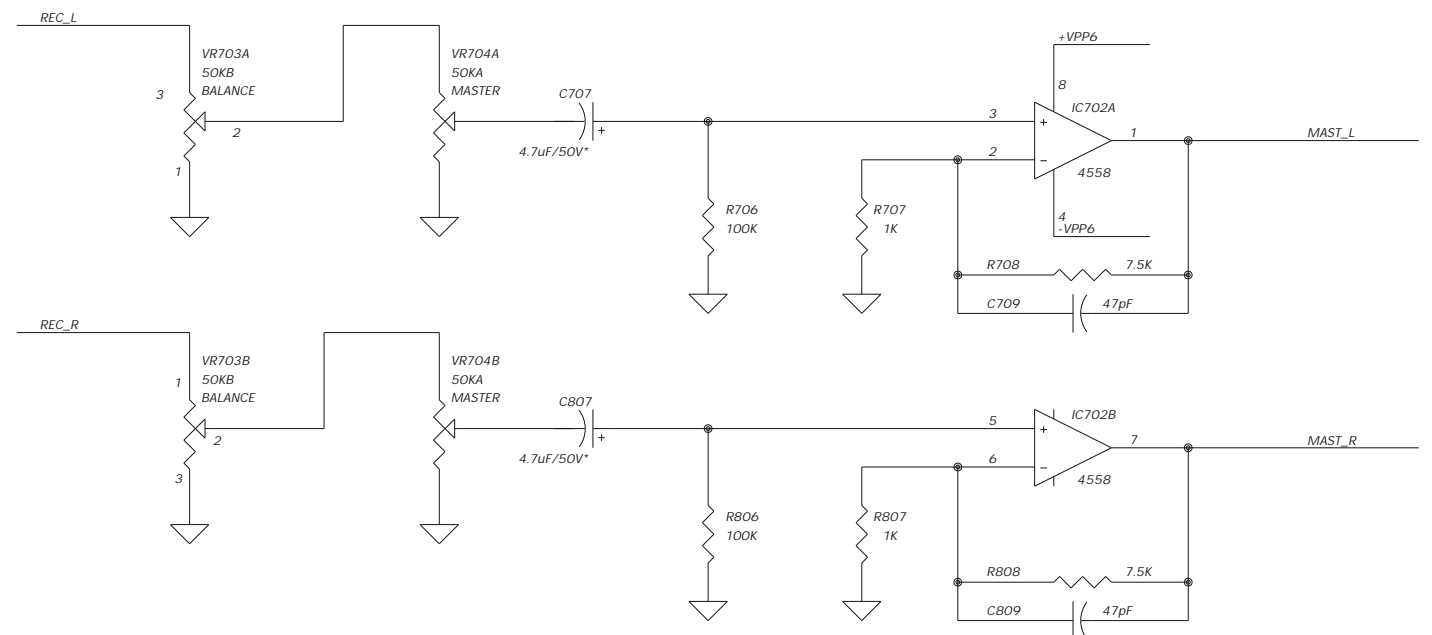
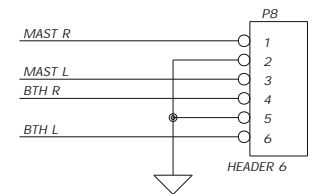
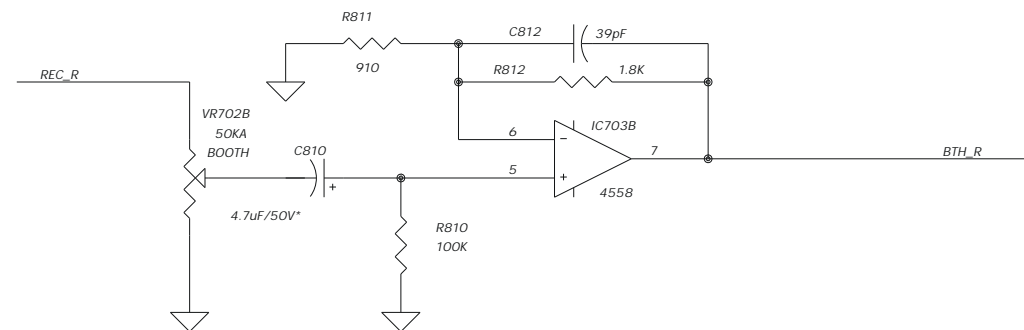
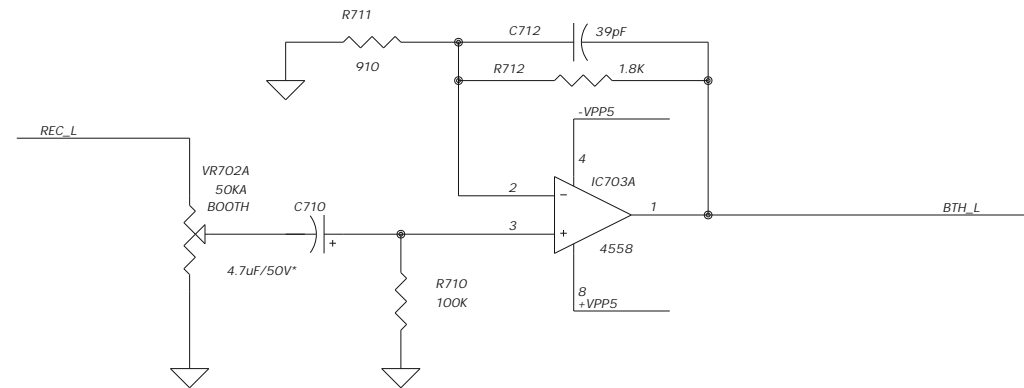
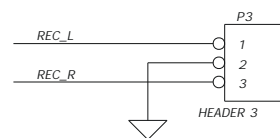
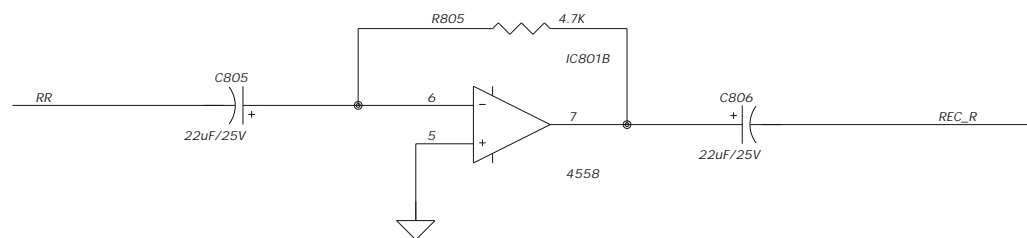
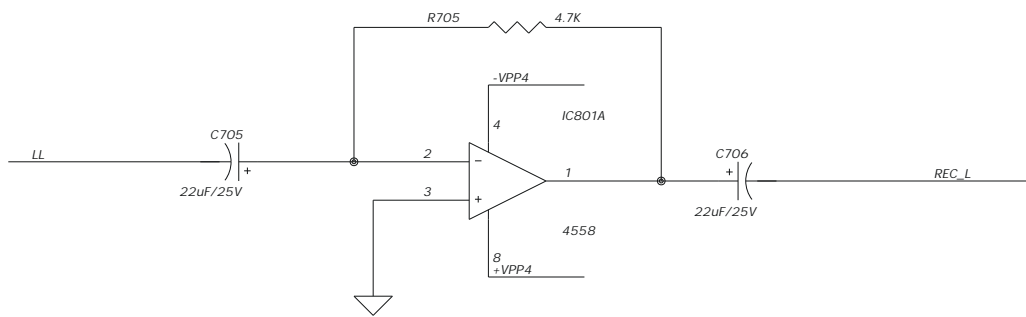
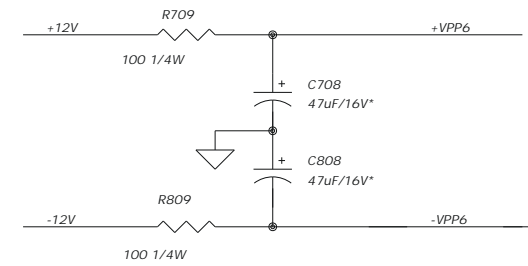
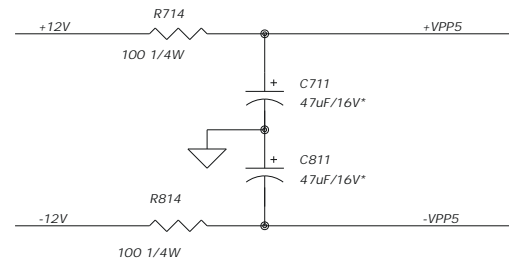
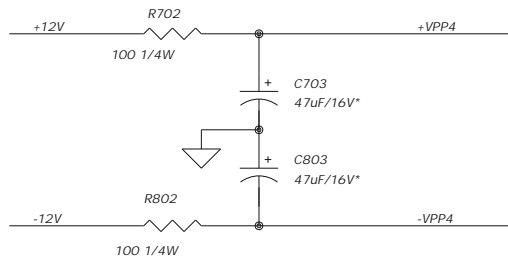




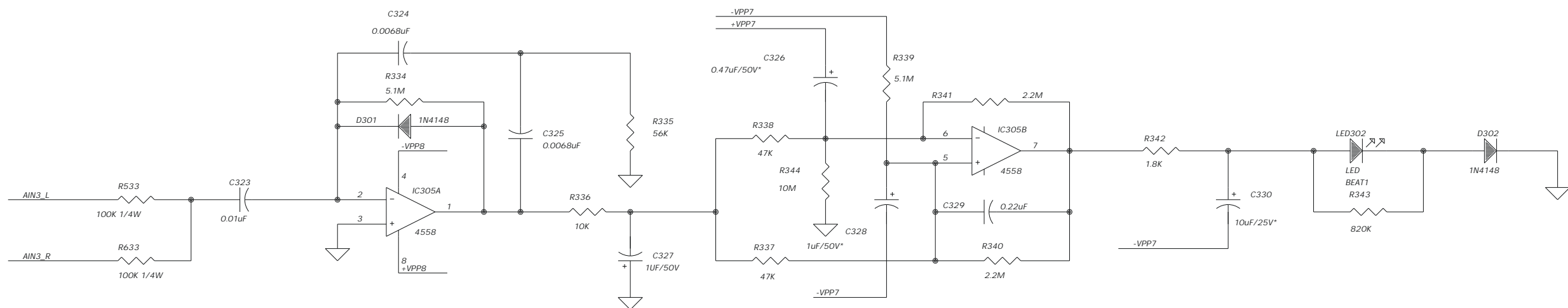
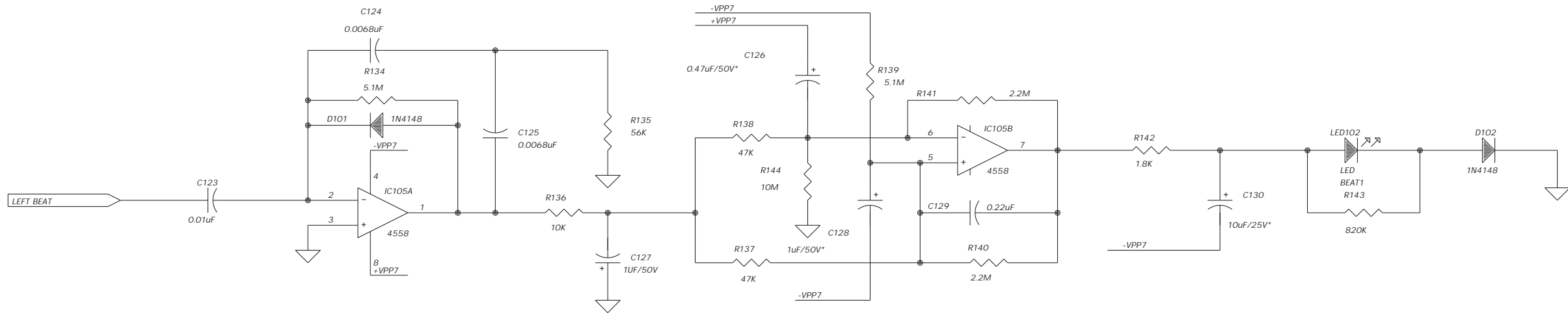
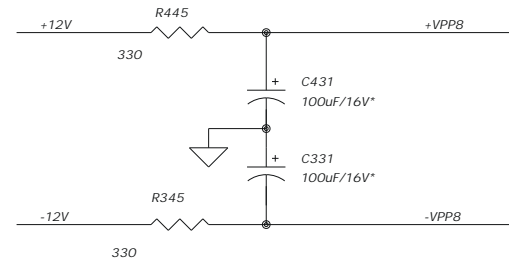
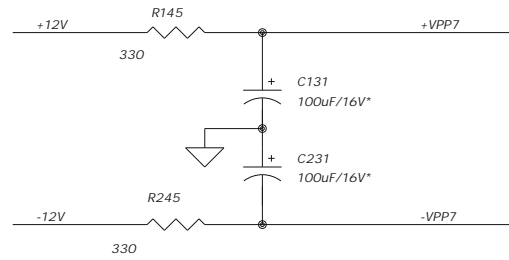
BIGROUP CORP		
Title		
PM524 CUE OUTPUT		
Size	Document Number	REV
B	524_CUE.SCH	A
Date:	May 28, 1999	Sheet 8 of 14



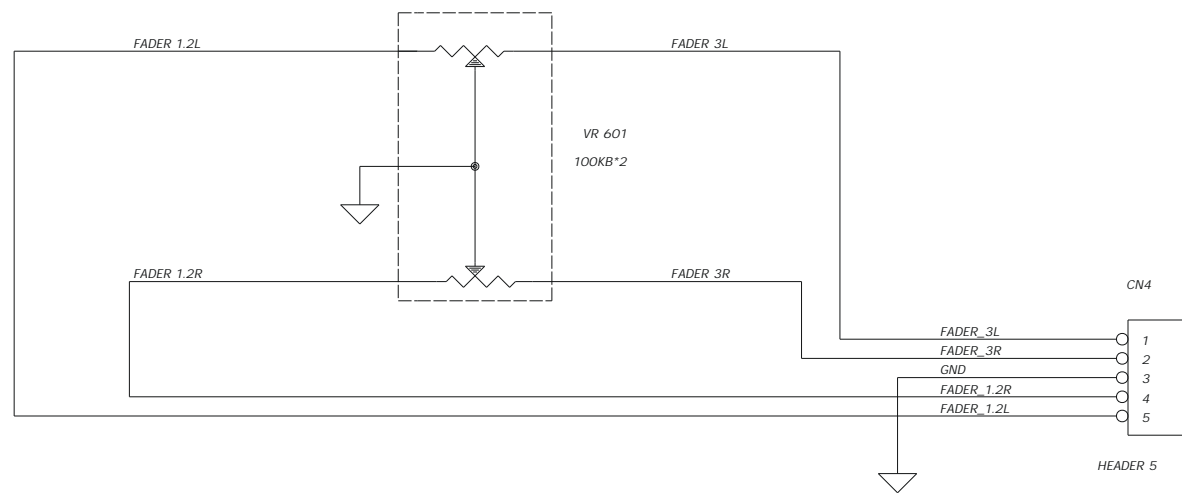
BIGROUP CORP.		
Title PM524 MIC INPUT		
Size B	Document Number MIC.SCH	REV A
Date: May 28, 1999	Sheet 4	of 14



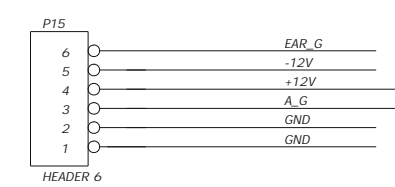
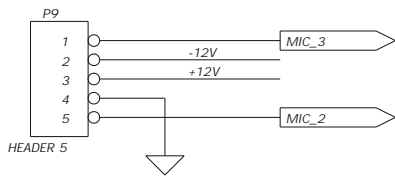
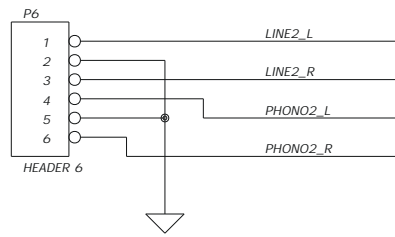
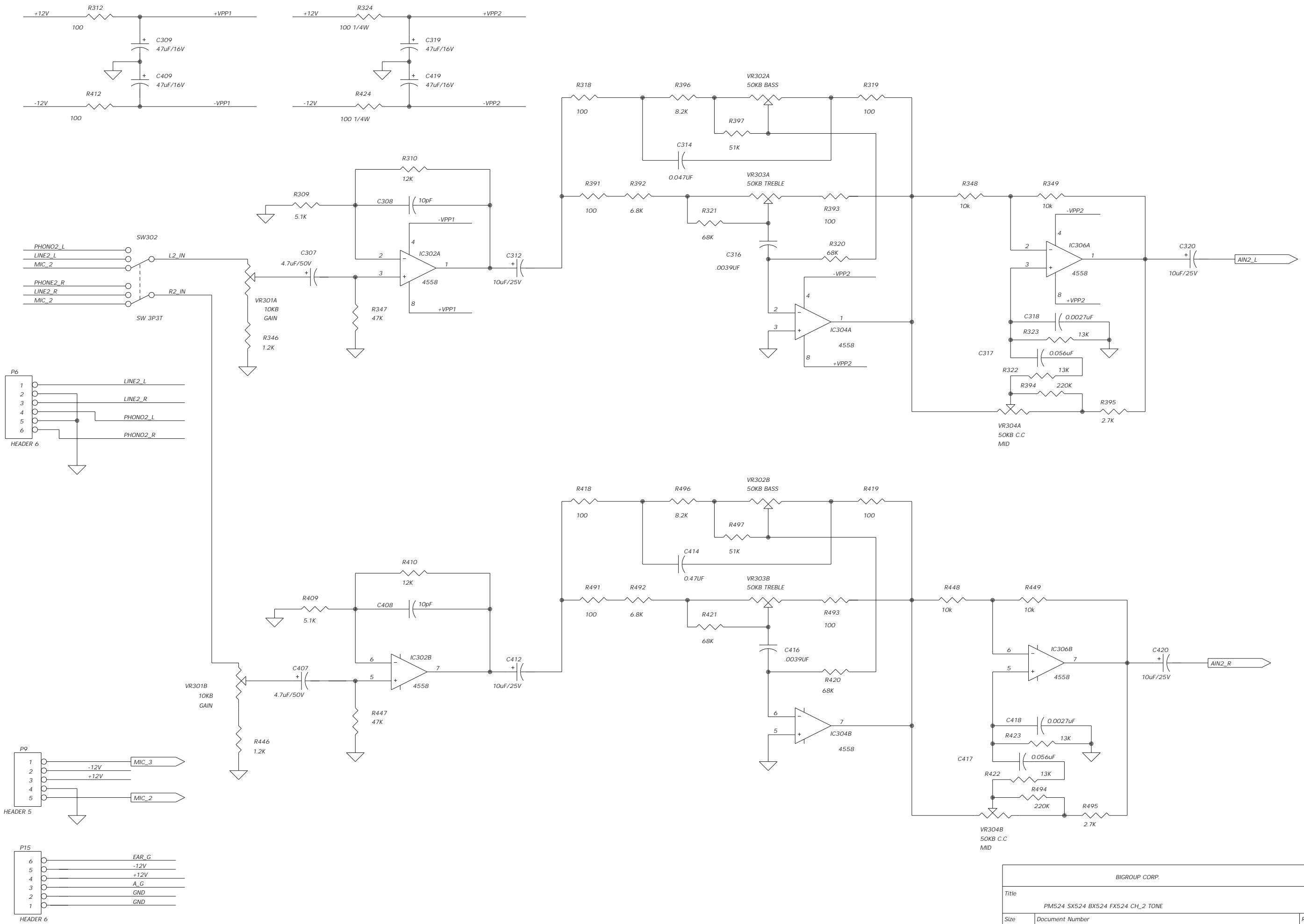
PHONIC CORP.		
Title PM524 REC/BTH/MAST OUTPUT		
Size B	Document Number OUTPUT.SCH	REV A
Date: September 20, 1999	Sheet 10	of 14



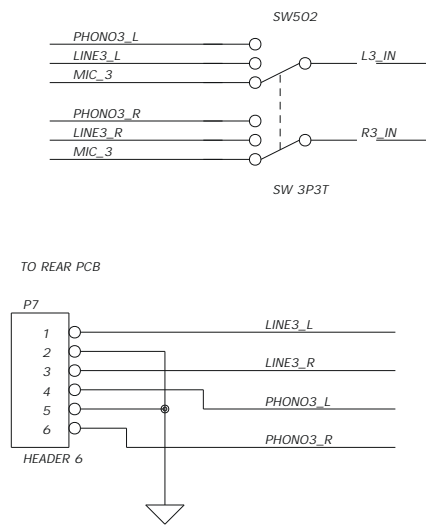
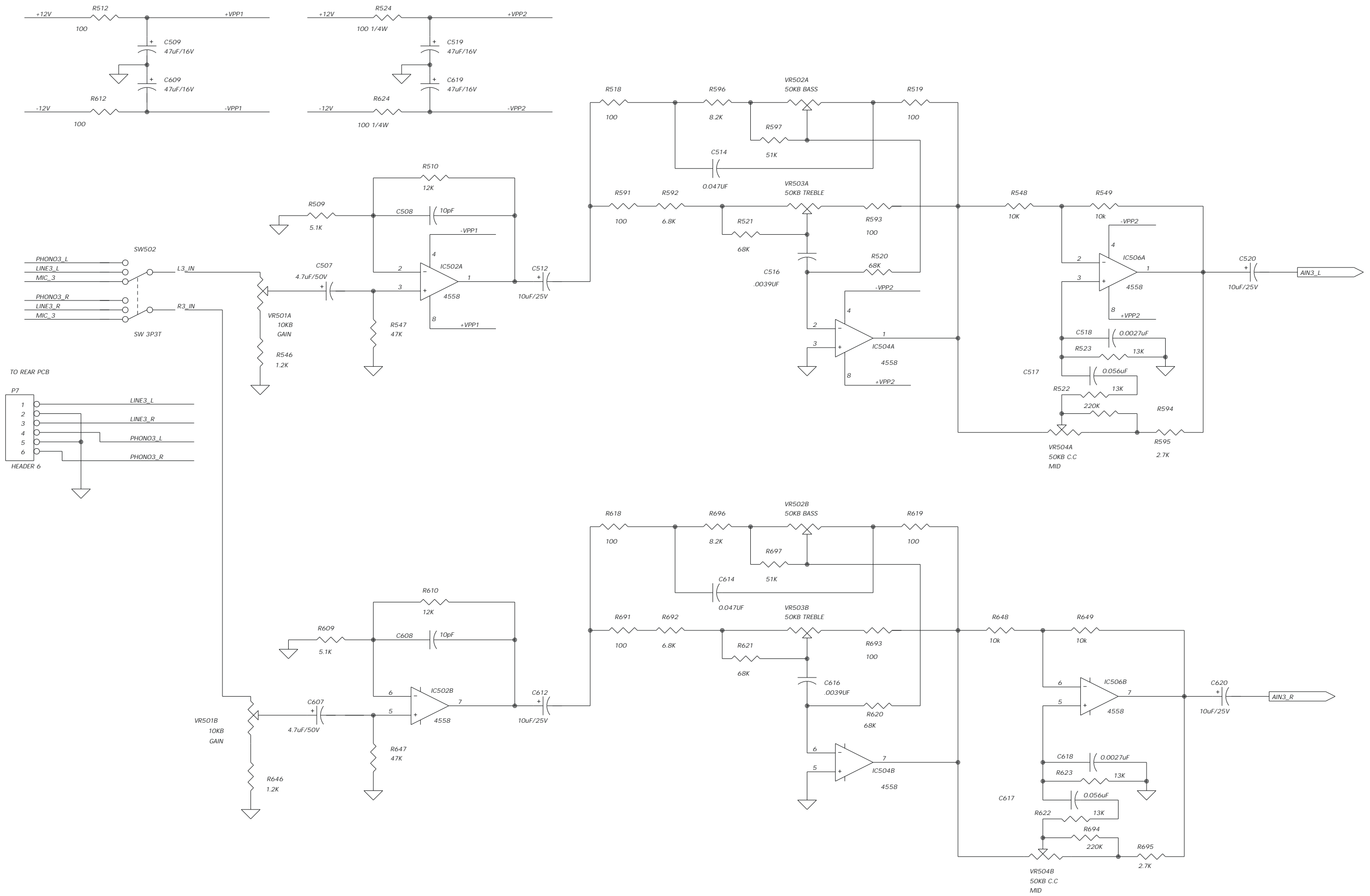
BIGROUP CORP.		
Title PM524 CH1_2 BEAT		
Size B	Document Number BEAT.SCH	REV A
Date: June 10, 1999	Sheet 14	of 14



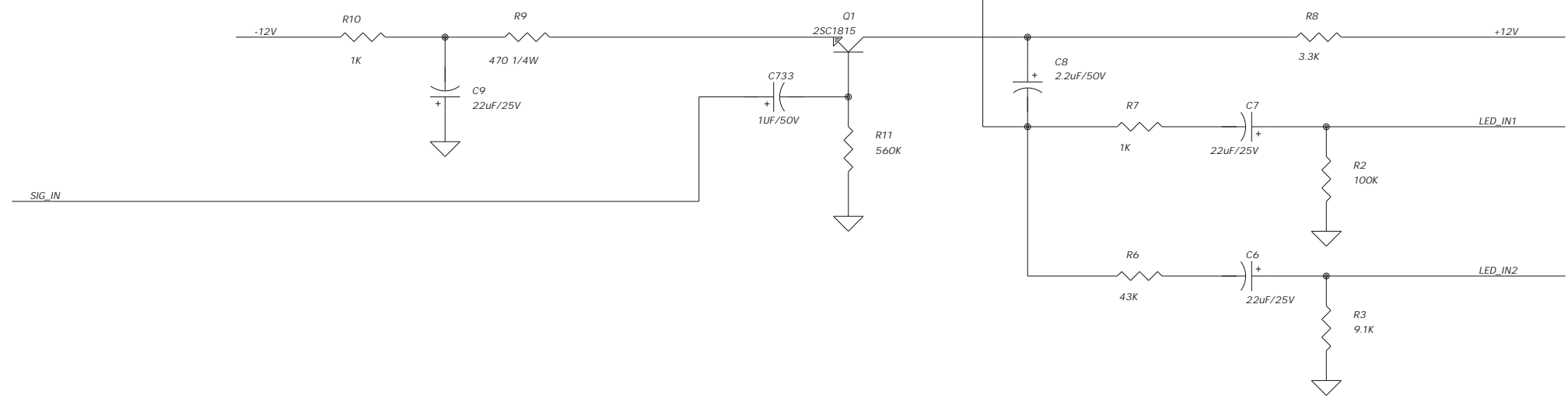
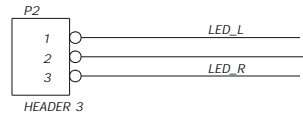
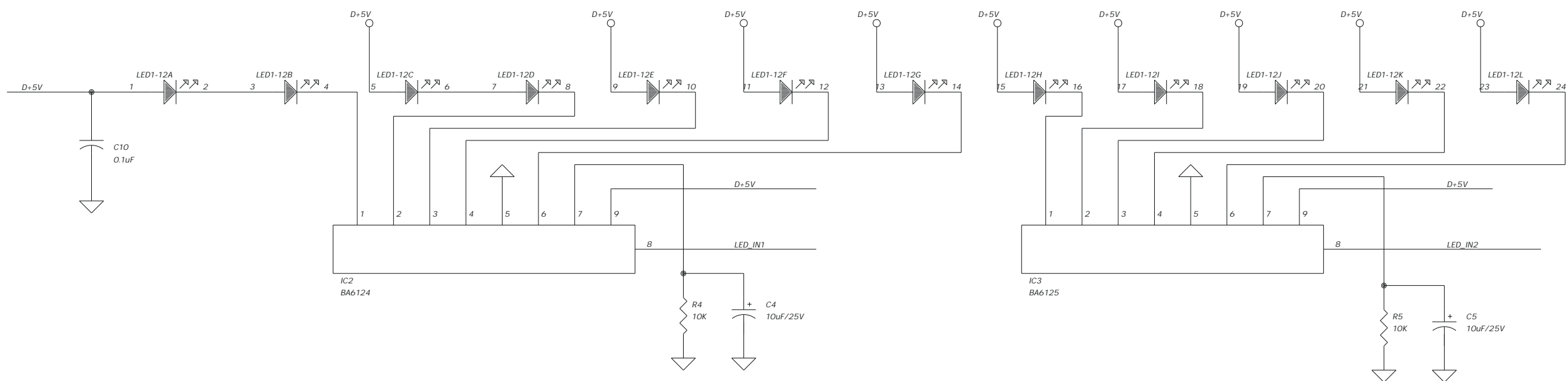
PHONIC CORP.		
Title		
524 CROSSFADER		
Size	Document Number	REV
B	CROSSFADER.SCH	A
Date:	February 8, 1999	Sheet 11 of 14



BIGROUP CORP.		
Title PM524 SX524 BX524 FX524 CH_2 TONE		
Size B	Document Number 524_CH2.SCH	REV A
Date: March 1, 1999	Sheet 6	of 14



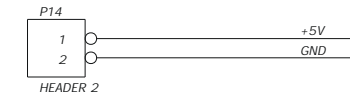
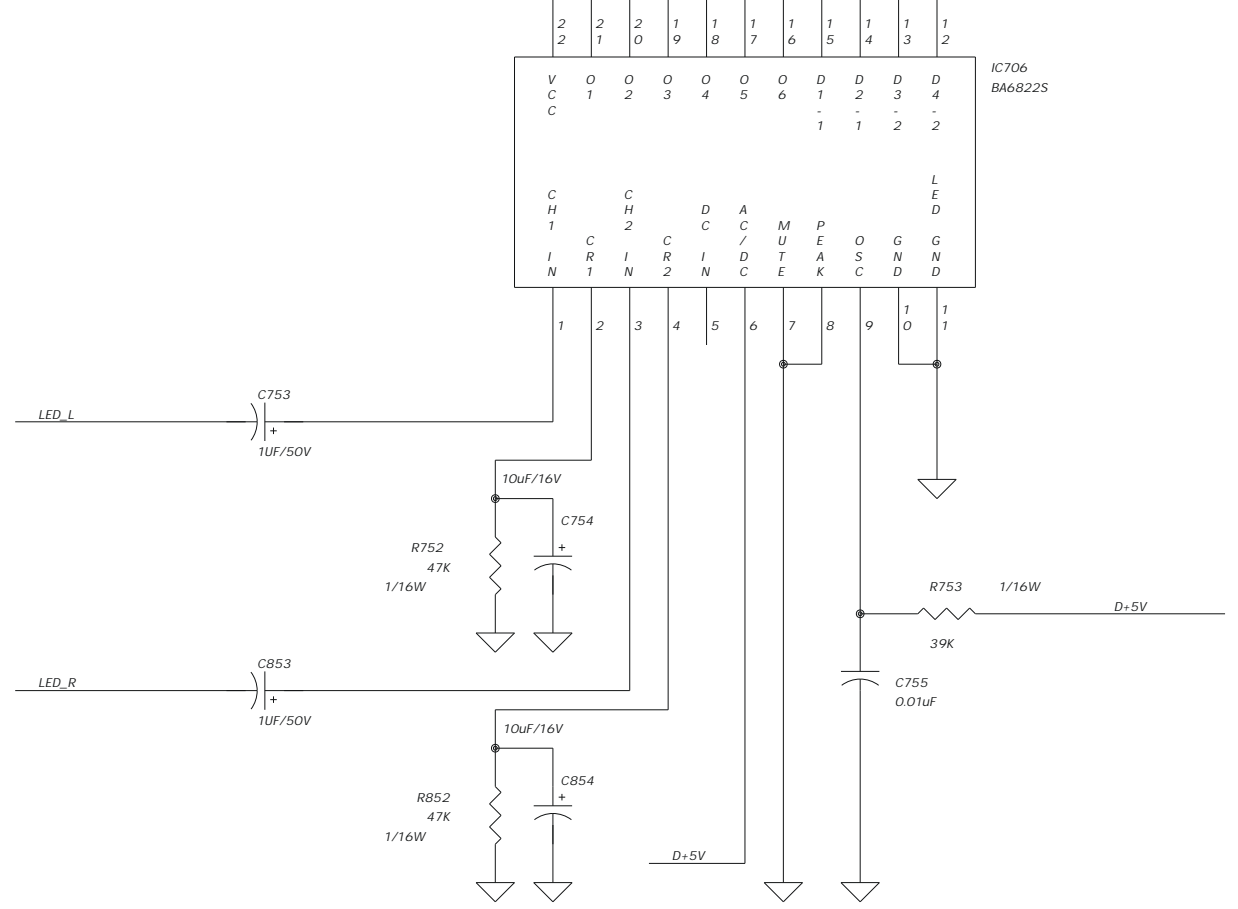
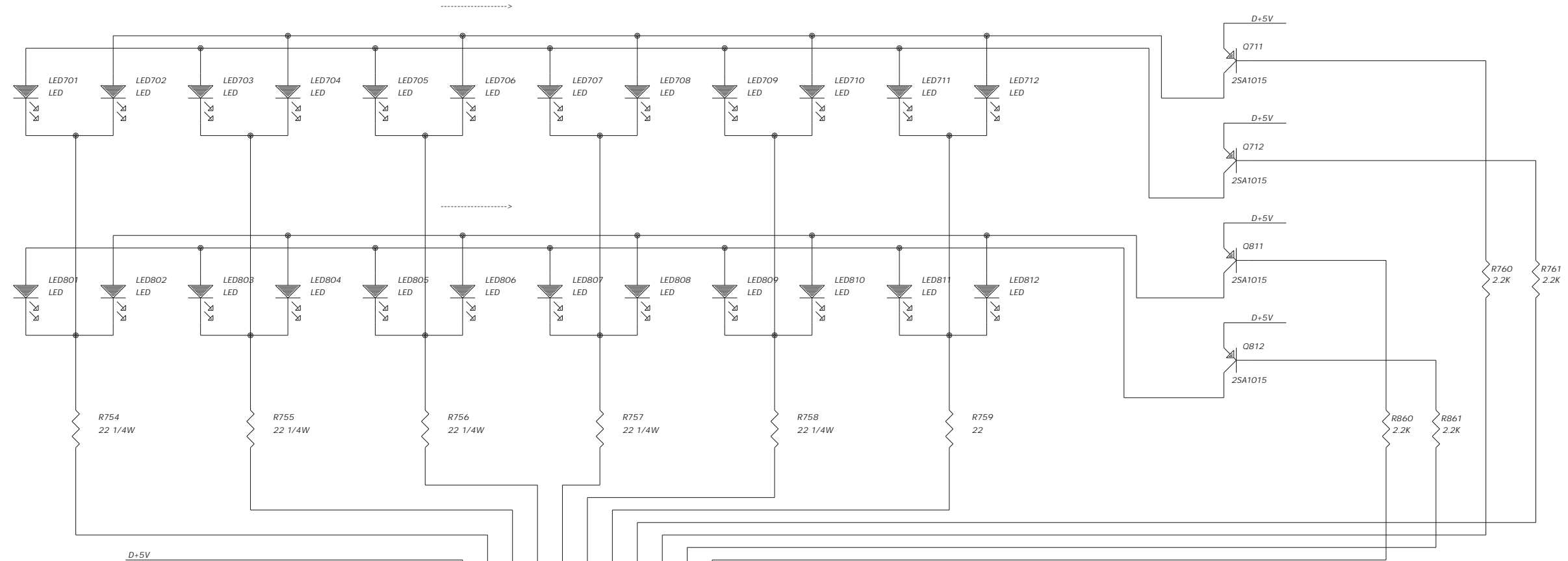
BIGROUP CORP.		
Title		
PM524 SX524 BX524 FX524 CH_3. TONE		
Size	Document Number	REV
B	524 CH_3.SCH	A
Date:	March 1, 1999	Sheet 7 of 14



BIGROUP CORP.		
Title PMS24 CUE DISPLAY		
Size B	Document Number LED1.SCH	REV A
Date: March 1, 1999	Sheet 12	of 14

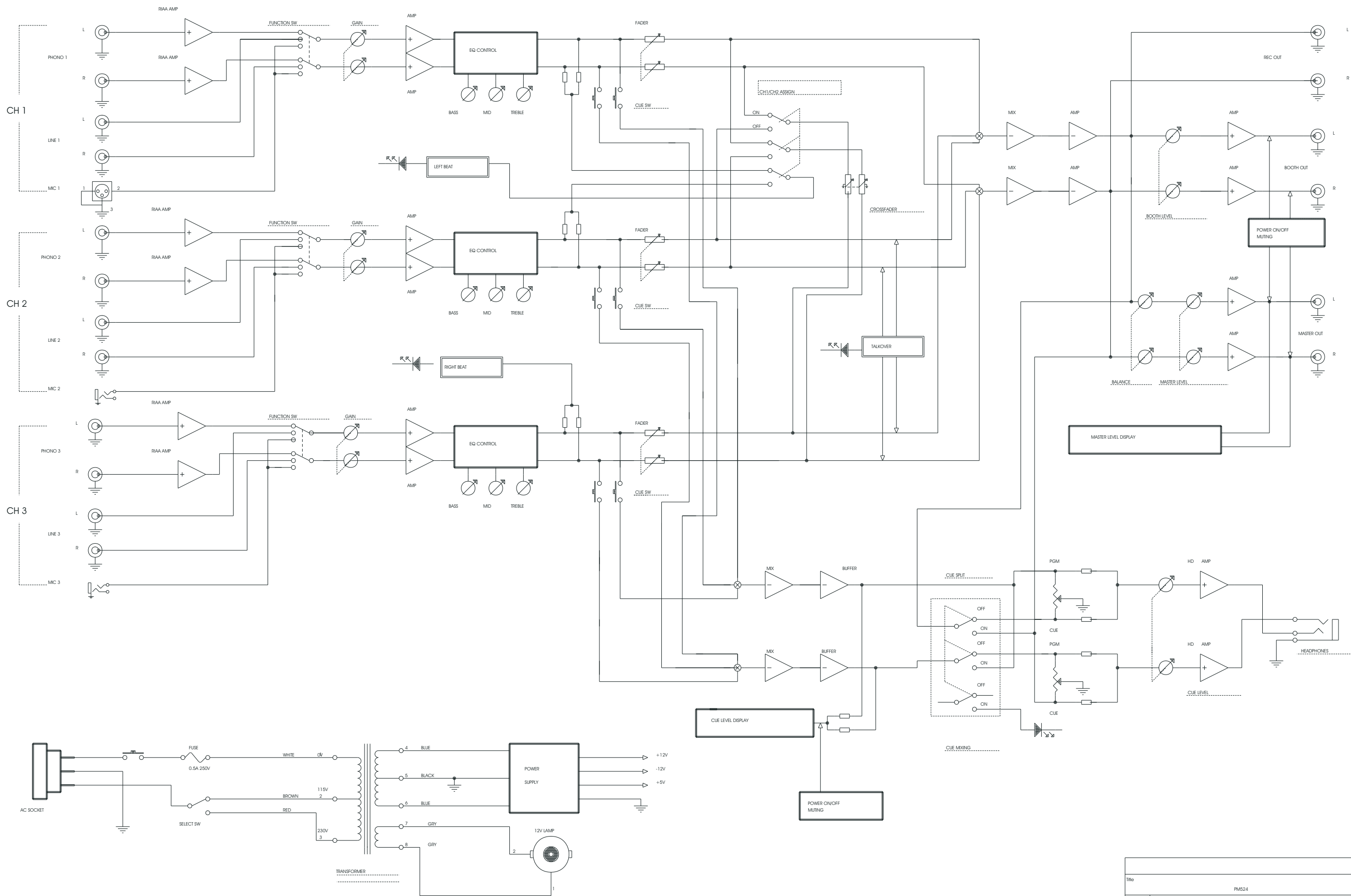
L

R



BIGROUP CORP.		
Title PMS24_L_R DISPLAY		
Size B	Document Number LED2.SCH	REV A
Date: March 1, 1999	Sheet 13	of 14

PM524 BLOCK DIAGRAM



Title		PM524	
Size	Document Number	REV	
C	PM524 BLOCK DIAGRAM	8	
Date:	September 18, 1999	Sheet	of