

Schaltbild • Circuit diagramm • Schema du poste • Esquema del aparato

(D) Weitere Dokumentationen

Service Anleitung 8 622 400 841
 Ersatzteilliste 8 622 400 809

(F) Dokumentations complémentaires

Manuel de service 8 622 400 841
 Liste de rechanges 8 622 400 809

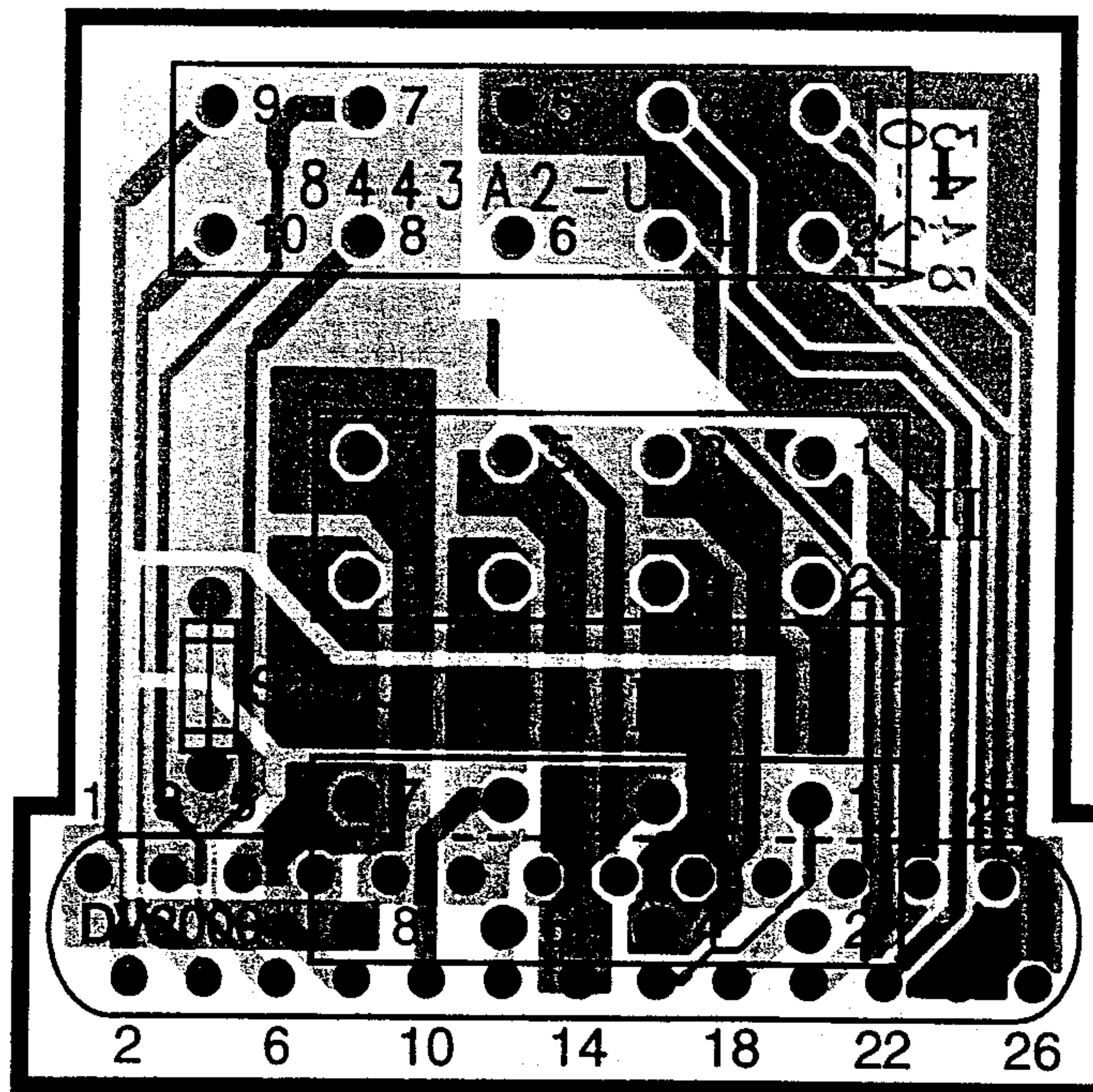
(GB) Supplementary documentations:

Service manual 8 622 400 841
 Spare Part List 8 622 400 809

(E) Documentaciones suplementarias

Manual de servicio 8 622 400 841
 Lista de repuestos 8 622 400 809

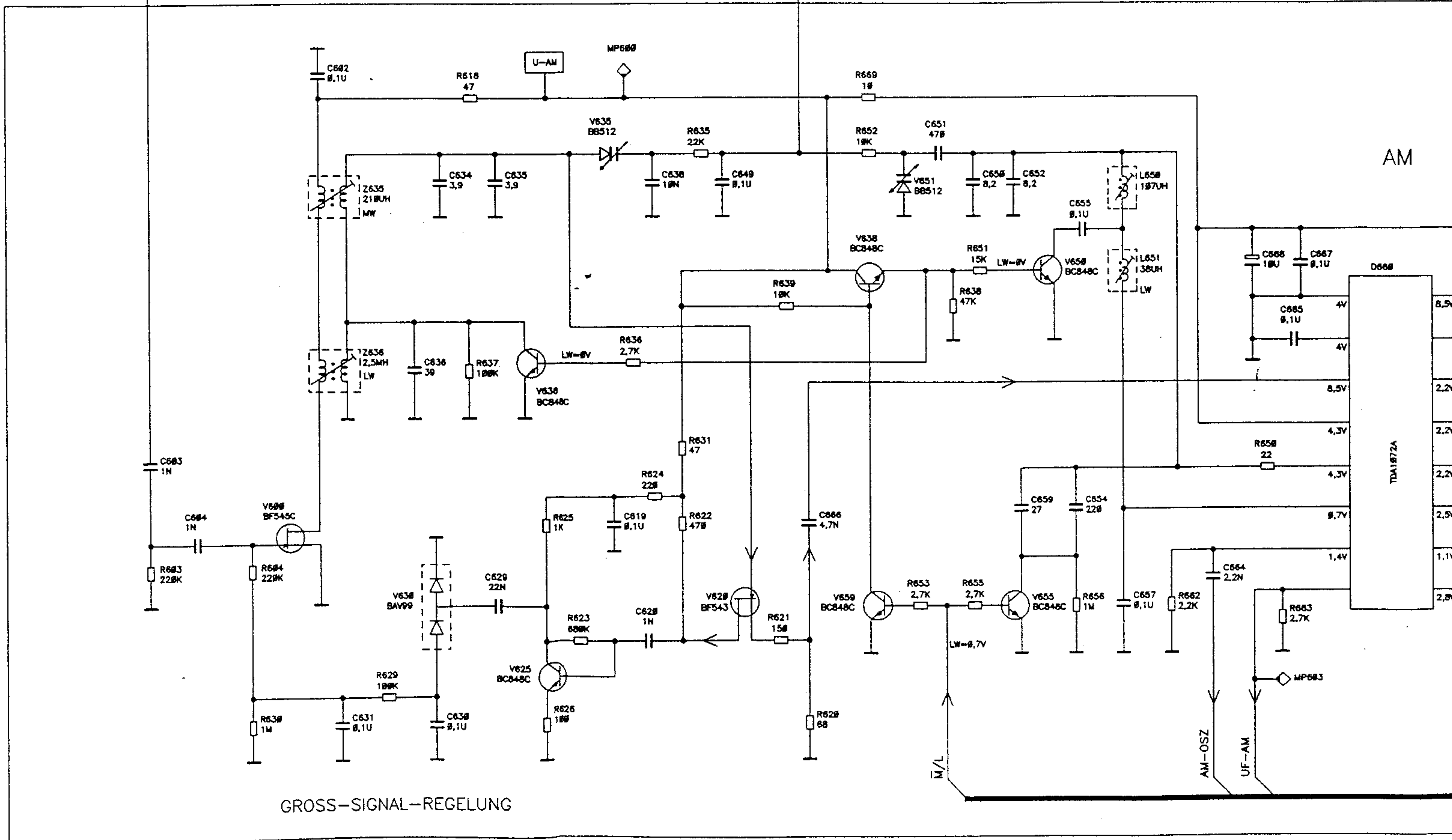
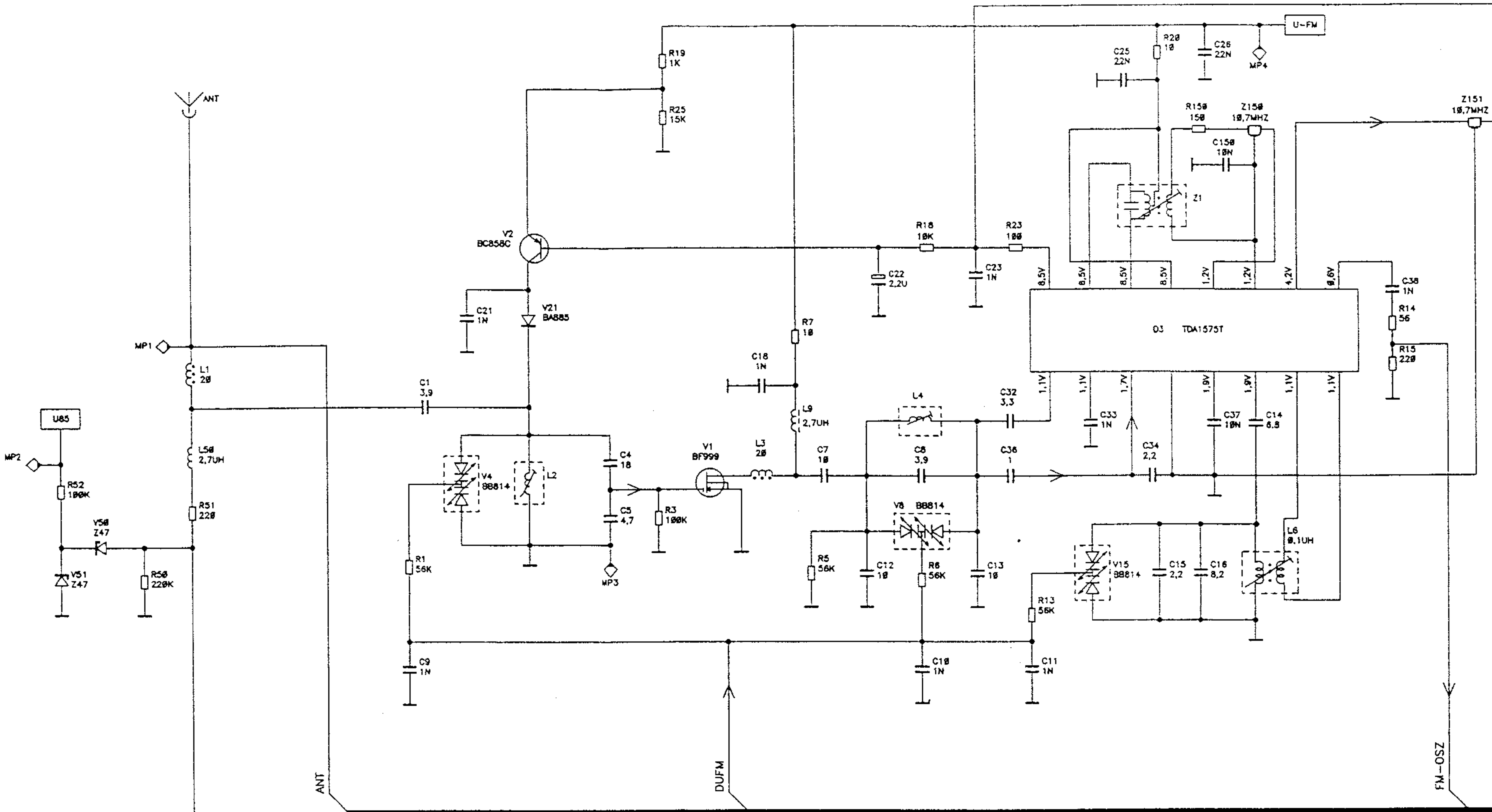
Anschlußplatte
Connector board
 PL 8443 A02



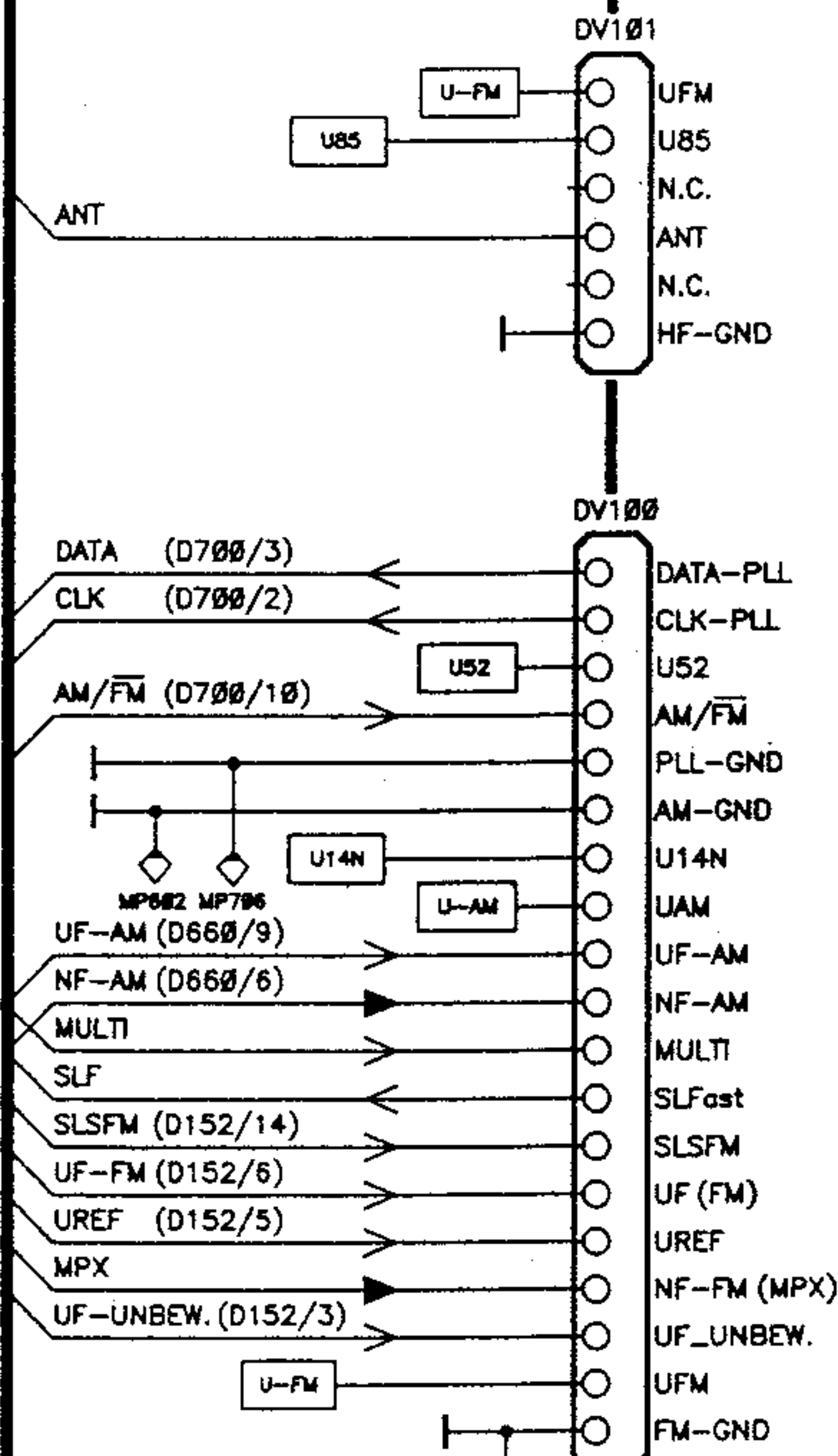
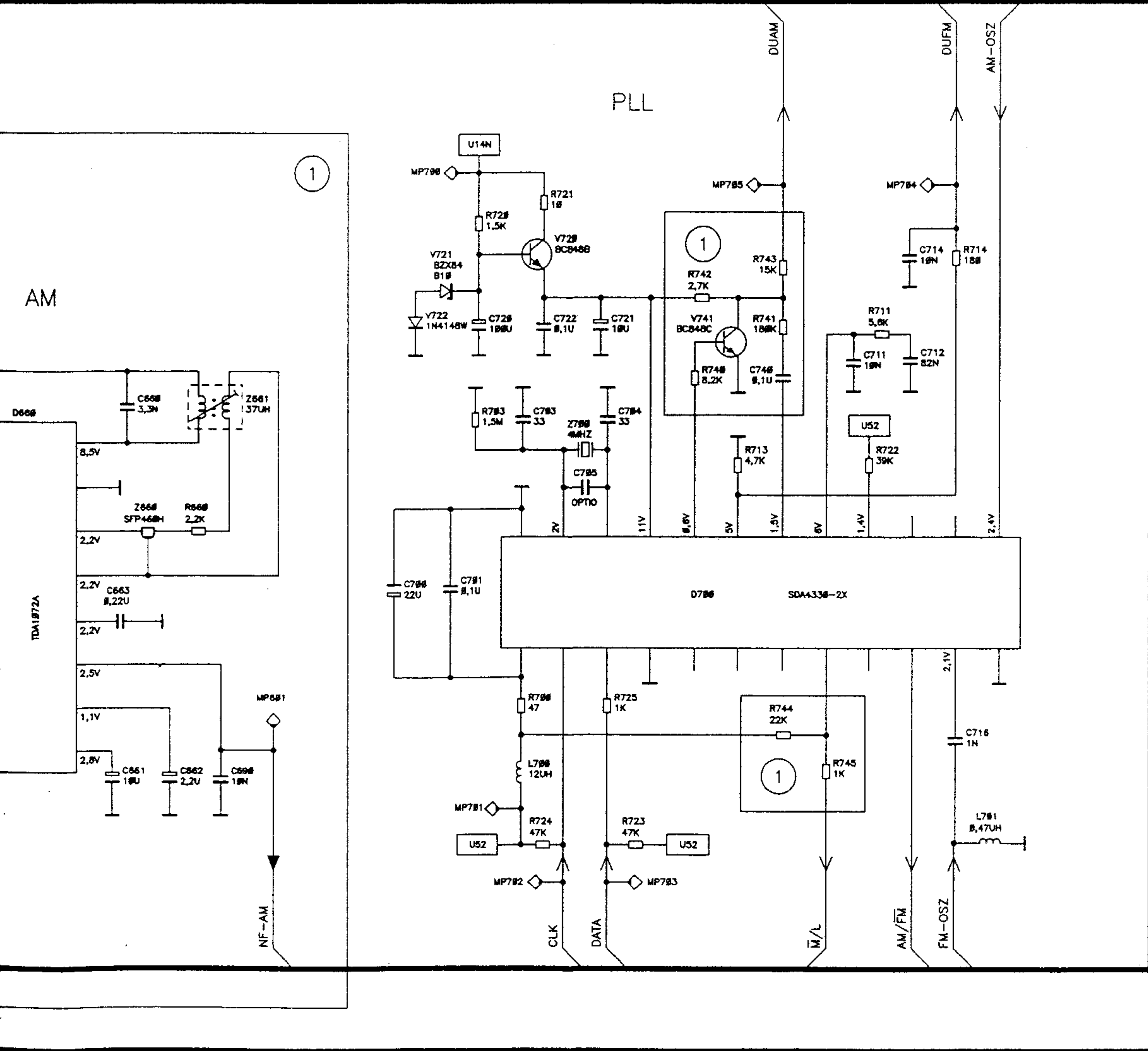
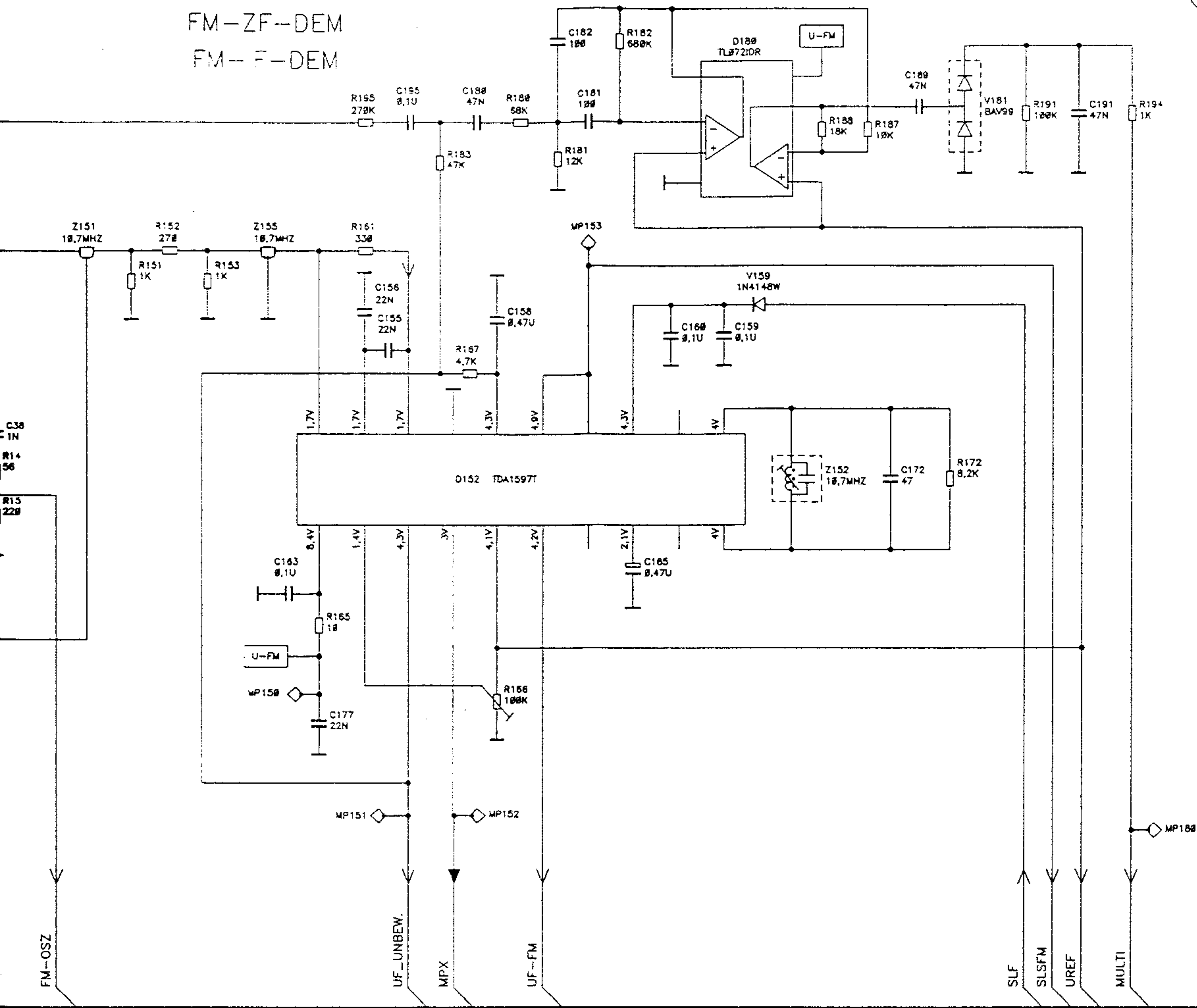
DV2000

1 = GND	14 =
2 = LINE-OUT-LF	15 = UB-GESCH.
3 = UD	16 =
4 = LINE-OUT-LR	17 = RF-
5 = U-ZUEND	18 =
6 = LINE-OUT-RF	19 = RF+
7 = LR-	20 = TEL-MUTE
8 = LINE-OUT-RR	21 = RR-
9 = LR+	22 = SUB-OUT
10 = AA	23 = RR+
11 = LF-	24 = NF-GND
12 = UDIM / BEL	25 =
13 = LF+	26 =

HF-MODUL



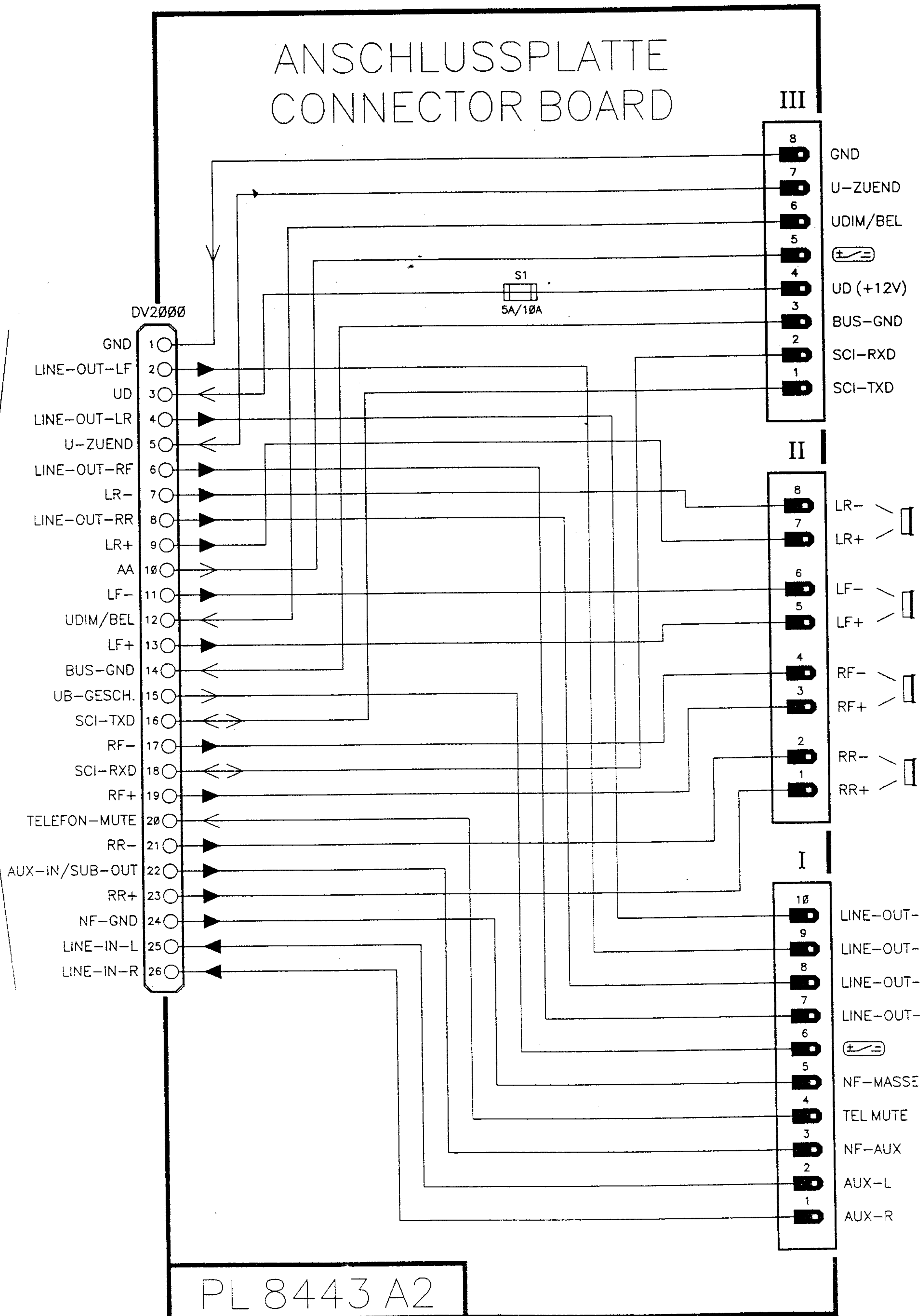
FM-ZF-DEM
FM-F-DEM



HAUPTPLATE

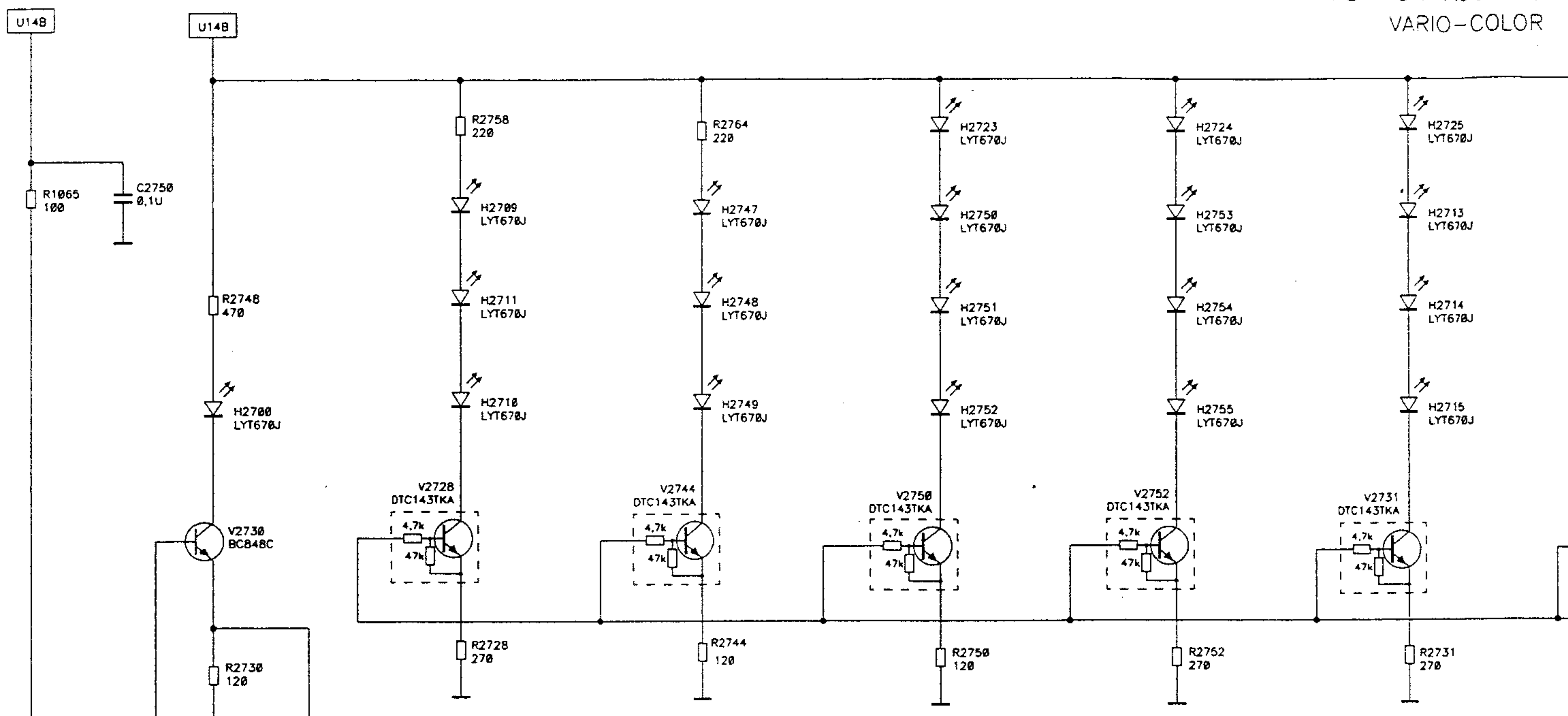
ANSCHLUSSPLATTE CONNECTOR BOARD

HAUPTPLATTE
MAIN BOARD

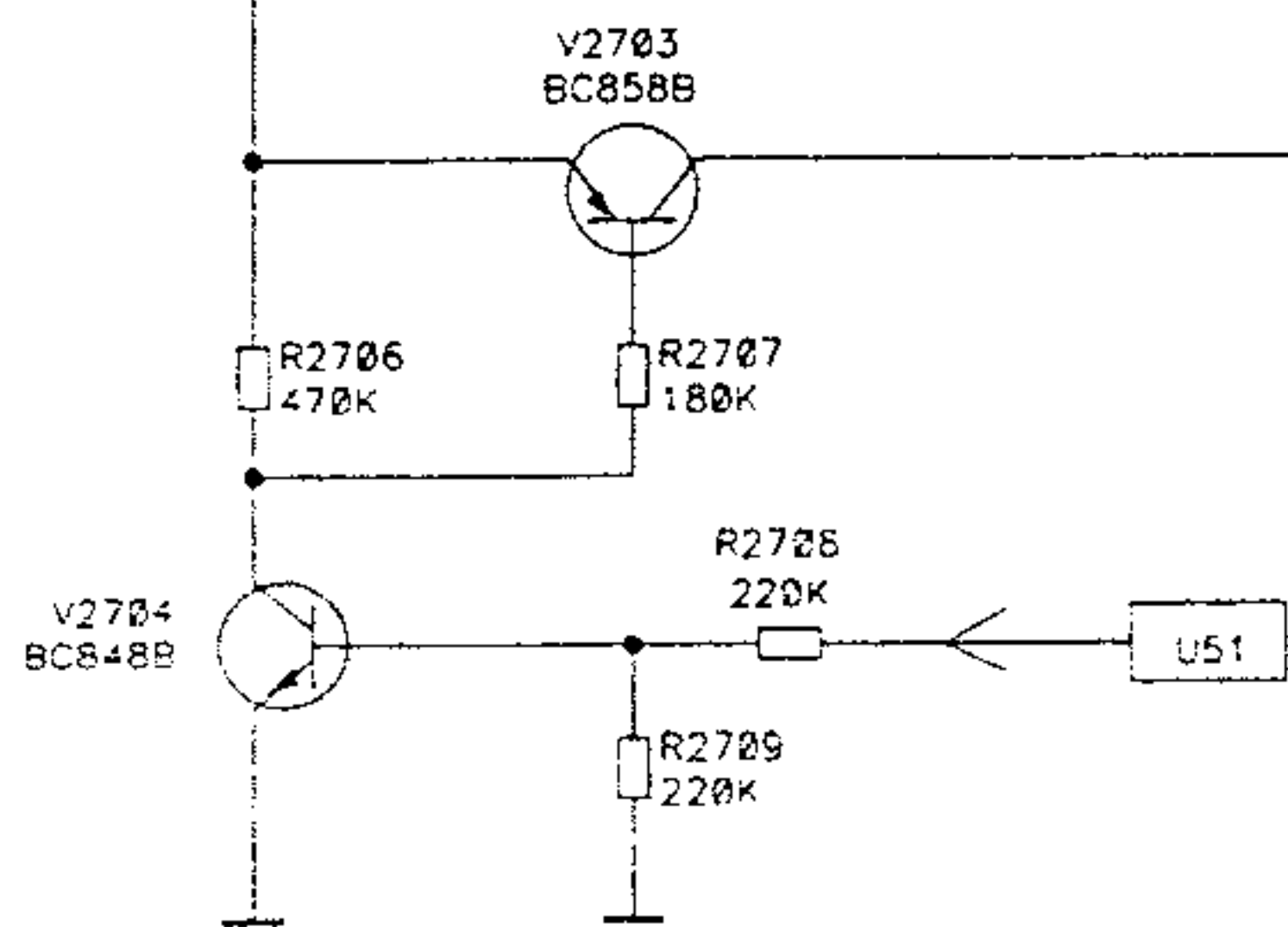
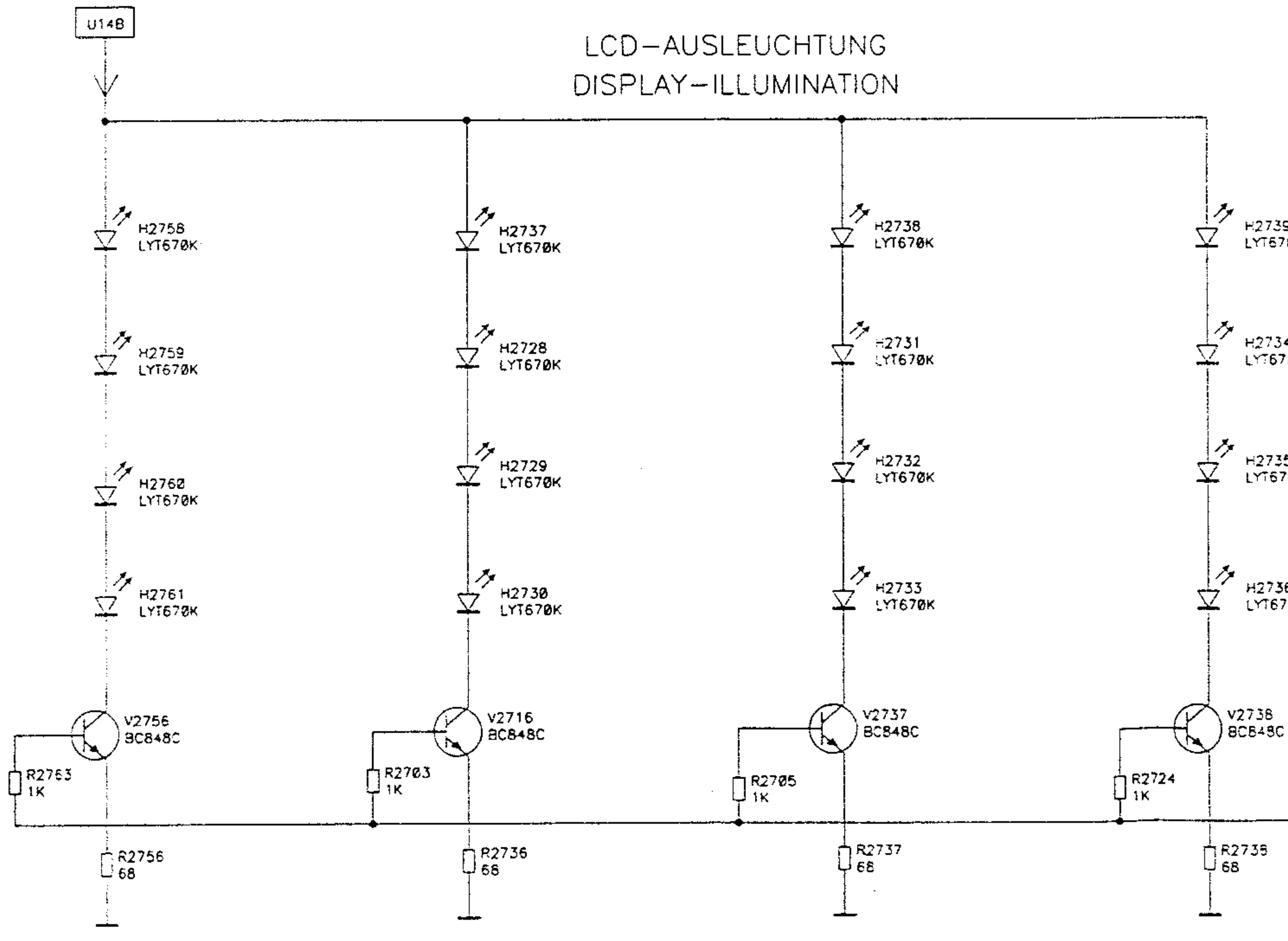


PL 8443 A2

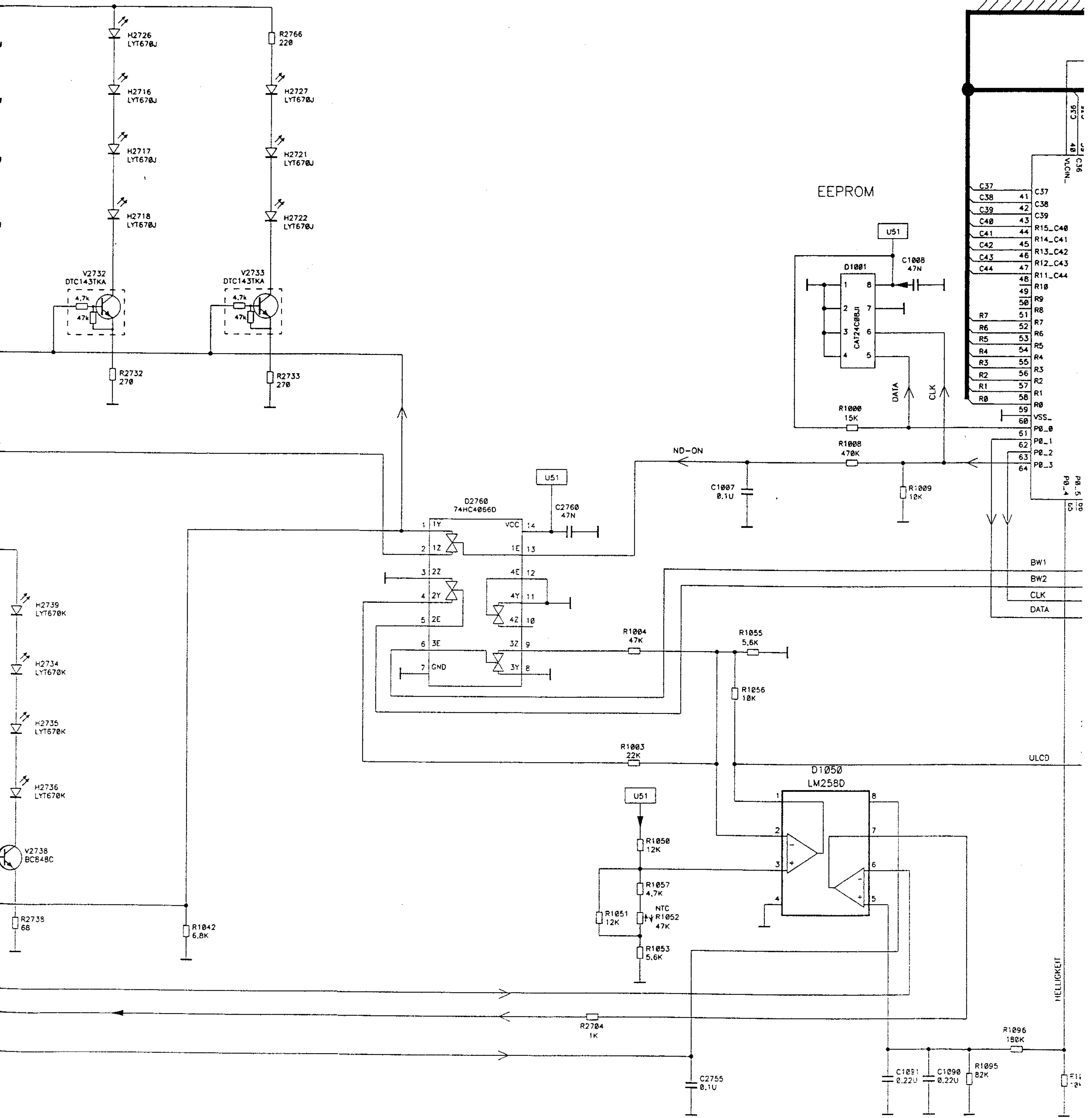
TASTATUR-AUSLEUCHTUNG
VARIO-COLOR



LCD-AUSLEUCHTUNG
DISPLAY-ILLUMINATION



LEUCHTUNG
COLOR



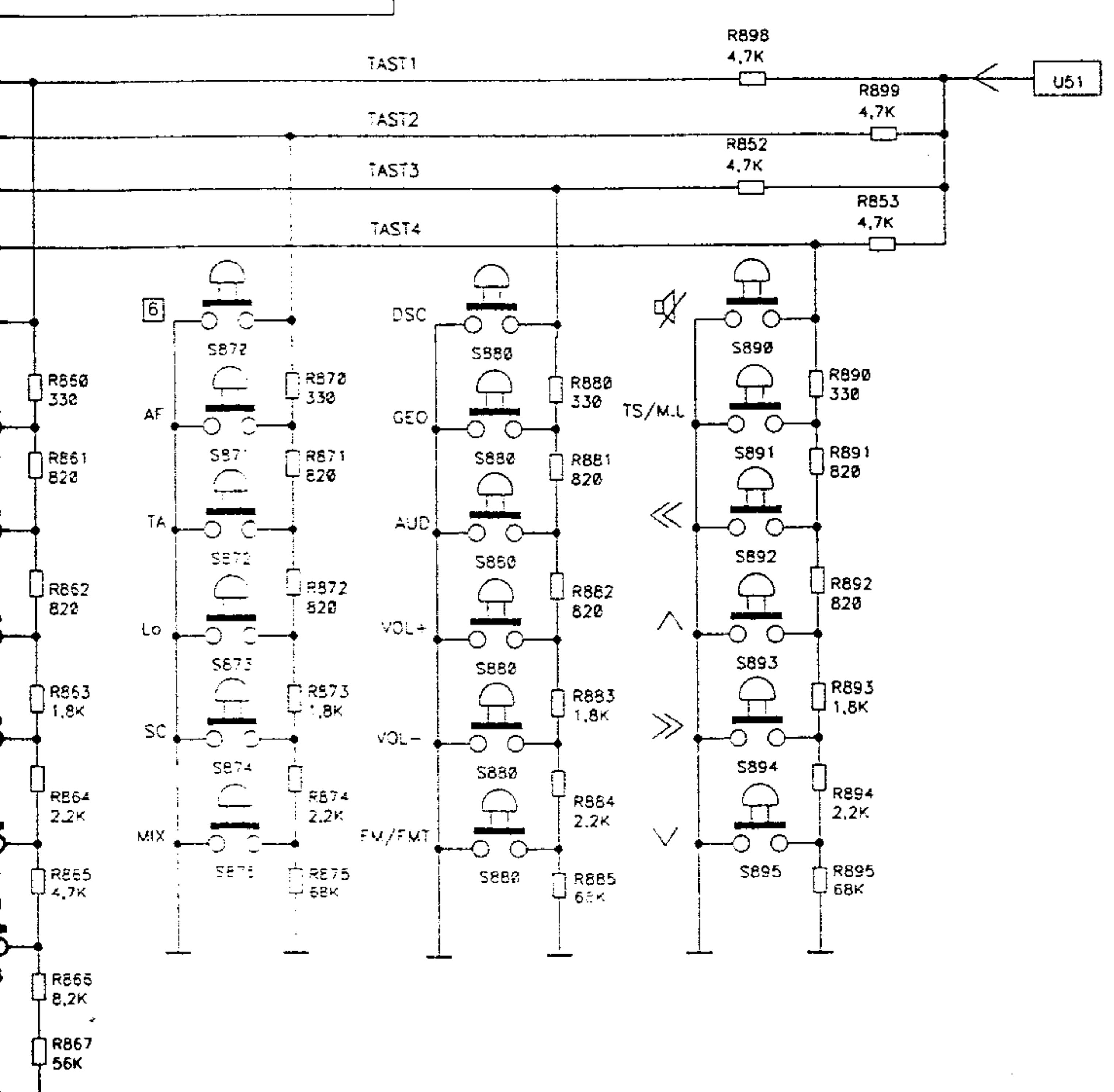
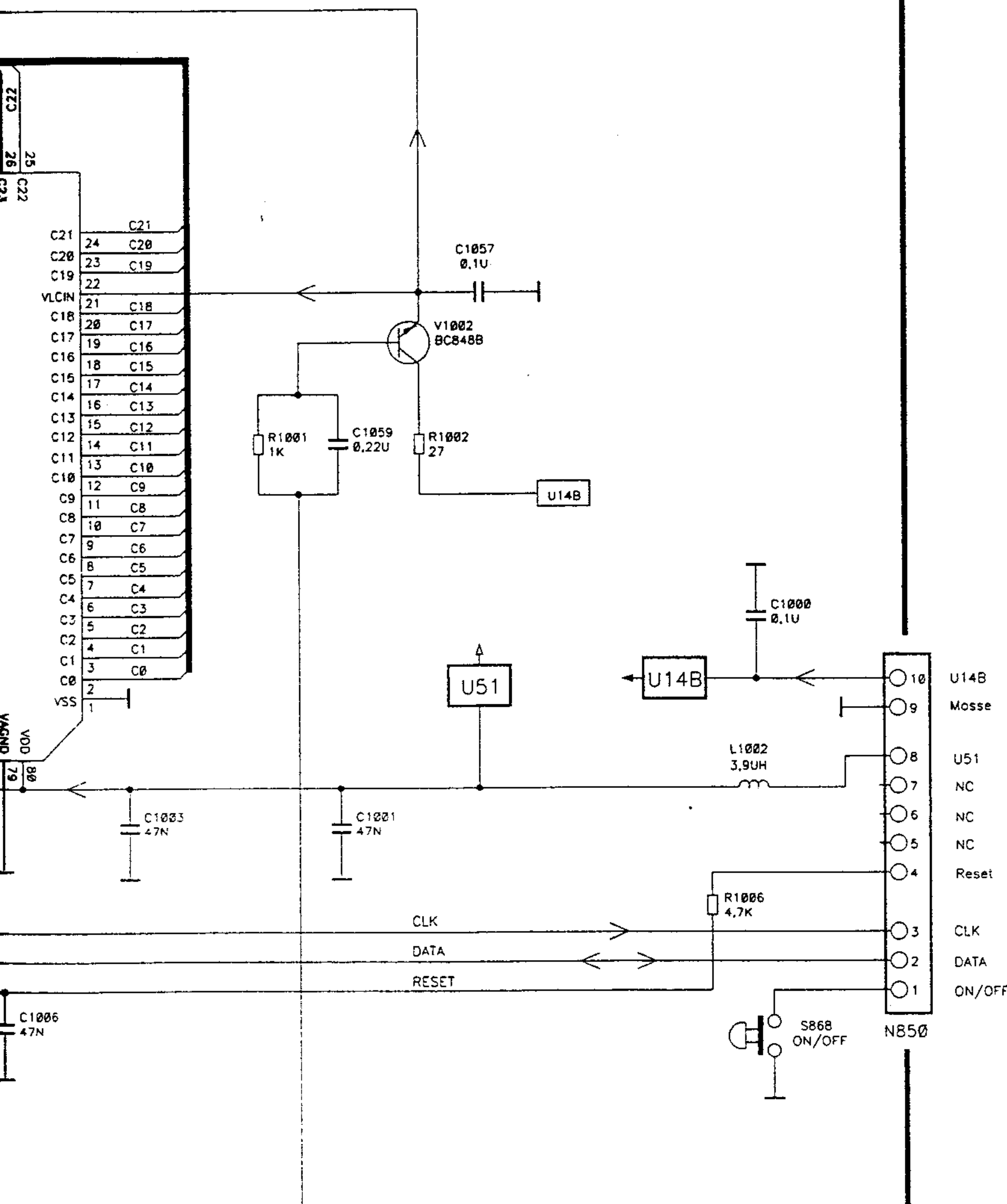
x1050

1	2	3	4	5	6	7	8	9
C0	C1	C2	C3	C4	C5	C6	C7	C8
C9	C10	C11	C12	C13	C14	C15	C16	C17
C18	C19	C20	C21	C22	C23	C24	C25	C26
C27	C28	C29	C30	C31	C32	C33	C34	C35
C36	C37	C38	C39	C40	C41	C42	C43	C44
C45	C46	C47	C48	C49	C50	C51	C52	C53
C54	C55	C56	C57	C58	C59	C60	C61	C62
C63	C64	C65	C66	C67	C68	C69	C70	C71
C72	C73	C74	C75	C76	C77	C78	C79	C80
C81	C82	C83	C84	C85	C86	C87	C88	C89
C90	C91	C92	C93	C94	C95	C96	C97	C98
C99	C100	C101	C102	C103	C104	C105	C106	C107
C108	C109	C110	C111	C112	C113	C114	C115	C116
C117	C118	C119	C120	C121	C122	C123	C124	C125
C126	C127	C128	C129	C130	C131	C132	C133	C134
C135	C136	C137	C138	C139	C140	C141	C142	C143
C144	C145	C146	C147	C148	C149	C150	C151	C152
C153	C154	C155	C156	C157	C158	C159	C160	C161
C162	C163	C164	C165	C166	C167	C168	C169	C170
C171	C172	C173	C174	C175	C176	C177	C178	C179
C180	C181	C182	C183	C184	C185	C186	C187	C188
C189	C190	C191	C192	C193	C194	C195	C196	C197
C198	C199	C200	C201	C202	C203	C204	C205	C206
C207	C208	C209	C210	C211	C212	C213	C214	C215
C216	C217	C218	C219	C220	C221	C222	C223	C224
C225	C226	C227	C228	C229	C230	C231	C232	C233
C234	C235	C236	C237	C238	C239	C240	C241	C242
C243	C244	C245	C246	C247	C248	C249	C250	C251
C252	C253	C254	C255	C256	C257	C258	C259	C260
C261	C262	C263	C264	C265	C266	C267	C268	C269
C270	C271	C272	C273	C274	C275	C276	C277	C278
C279	C280	C281	C282	C283	C284	C285	C286	C287
C288	C289	C290	C291	C292	C293	C294	C295	C296
C297	C298	C299	C300	C301	C302	C303	C304	C305
C306	C307	C308	C309	C310	C311	C312	C313	C314
C315	C316	C317	C318	C319	C320	C321	C322	C323
C324	C325	C326	C327	C328	C329	C330	C331	C332
C333	C334	C335	C336	C337	C338	C339	C340	C341
C342	C343	C344	C345	C346	C347	C348	C349	C350
C351	C352	C353	C354	C355	C356	C357	C358	C359
C360	C361	C362	C363	C364	C365	C366	C367	C368
C369	C370	C371	C372	C373	C374	C375	C376	C377
C378	C379	C380	C381	C382	C383	C384	C385	C386
C387	C388	C389	C390	C391	C392	C393	C394	C395
C396	C397	C398	C399	C400	C401	C402	C403	C404
C405	C406	C407	C408	C409	C410	C411	C412	C413
C414	C415	C416	C417	C418	C419	C420	C421	C422
C423	C424	C425	C426	C427	C428	C429	C430	C431
C432	C433	C434	C435	C436	C437	C438	C439	C440
C441	C442	C443	C444	C445	C446	C447	C448	C449
C450	C451	C452	C453	C454	C455	C456	C457	C458
C459	C460	C461	C462	C463	C464	C465	C466	C467
C468	C469	C470	C471	C472	C473	C474	C475	C476
C477	C478	C479	C480	C481	C482	C483	C484	C485
C486	C487	C488	C489	C490	C491	C492	C493	C494
C495	C496	C497	C498	C499	C500	C501	C502	C503
C504	C505	C506	C507	C508	C509	C510	C511	C512
C513	C514	C515	C516	C517	C518	C519	C520	C521
C522	C523	C524	C525	C526	C527	C528	C529	C530
C531	C532	C533	C534	C535	C536	C537	C538	C539
C540	C541	C542	C543	C544	C545	C546	C547	C548
C549	C550	C551	C552	C553	C554	C555	C556	C557
C558	C559	C560	C561	C562	C563	C564	C565	C566
C567	C568	C569	C570	C571	C572	C573	C574	C575
C576	C577	C578	C579	C580	C581	C582	C583	C584
C585	C586	C587	C588	C589	C590	C591	C592	C593
C594	C595	C596	C597	C598	C599	C600	C601	C602
C603	C604	C605	C606	C607	C608	C609	C610	C611
C612	C613	C614	C615	C616	C617	C618	C619	C620
C621	C622	C623	C624	C625	C626	C627	C628	C629
C630	C631	C632	C633	C634	C635	C636	C637	C638
C639	C640	C641	C642	C643	C644	C645	C646	C647
C648	C649	C650	C651	C652	C653	C654	C655	C656
C657	C658	C659	C660	C661	C662	C663	C664	C665
C666	C667	C668	C669	C670	C671	C672	C673	C674
C675	C676	C677	C678	C679	C680	C681	C682	C683
C684	C685	C686	C687	C688	C689	C690	C691	C692
C693	C694	C695	C696	C697	C698	C699	C700	C701
C702	C703	C704	C705	C706	C707	C708	C709	C710
C711	C712	C713	C714	C715	C716	C717	C718	C719
C720	C721	C722	C723	C724	C725	C726	C727	C728
C729	C730	C731	C732	C733	C734	C735	C736	C737
C738	C739	C740	C741	C742	C743	C744	C745	C746
C747	C748	C749	C750	C751	C752	C753	C754	C755
C756	C757	C758	C759	C760	C761	C762	C763	C764
C765	C766	C767	C768	C769	C770	C771	C772	C773
C774	C775	C776	C777	C778	C779	C780	C781	C782
C783	C784	C785	C786	C787	C788	C789	C790	C791
C792	C793	C794	C795	C796	C797	C798	C799	C800
C801	C802	C803	C804	C805	C806	C807	C808	C809
C810	C811	C812	C813	C814	C815	C816	C817	C818
C819	C820	C821	C822	C823	C824	C825	C826	C827
C828	C829	C830	C831	C832	C833	C834	C835	C836
C837	C838	C839	C840	C841	C842	C843	C844	C845
C846	C847	C848	C849	C850	C851	C852	C853	C854
C855	C856	C857	C858	C859	C860	C861	C862	C863
C864	C865	C866	C867	C868	C869	C870	C871	C872
C873	C874	C875	C876	C877	C878	C879	C880	C881
C882	C883	C884	C885	C886	C887	C888	C889	C890
C891	C892	C893	C894	C895	C896	C897	C898	C899
C900	C901	C902	C903	C904	C905	C906	C907	C908
C909	C910	C911	C912	C913	C914	C915	C916	C917
C918	C919	C920	C921	C922	C923	C924	C925	C926
C927	C928	C929	C930	C931	C932	C933	C934	C935
C936	C937	C938	C939	C940	C941	C942	C943	C944
C945	C946	C947	C948	C949	C950	C951	C952	C953
C954	C955	C956	C957	C958	C959	C960	C961	C962
C963	C964	C965	C966	C967	C968	C969	C970	C971
C972	C973	C974	C975	C976	C977	C978	C979	C980
C981	C982	C983	C984	C985	C986	C987	C988	C989
C990	C991	C992	C993	C994	C995	C996	C997	C998
C999	C1000	C1001	C1002	C1003	C1004	C1005	C1006	C1007

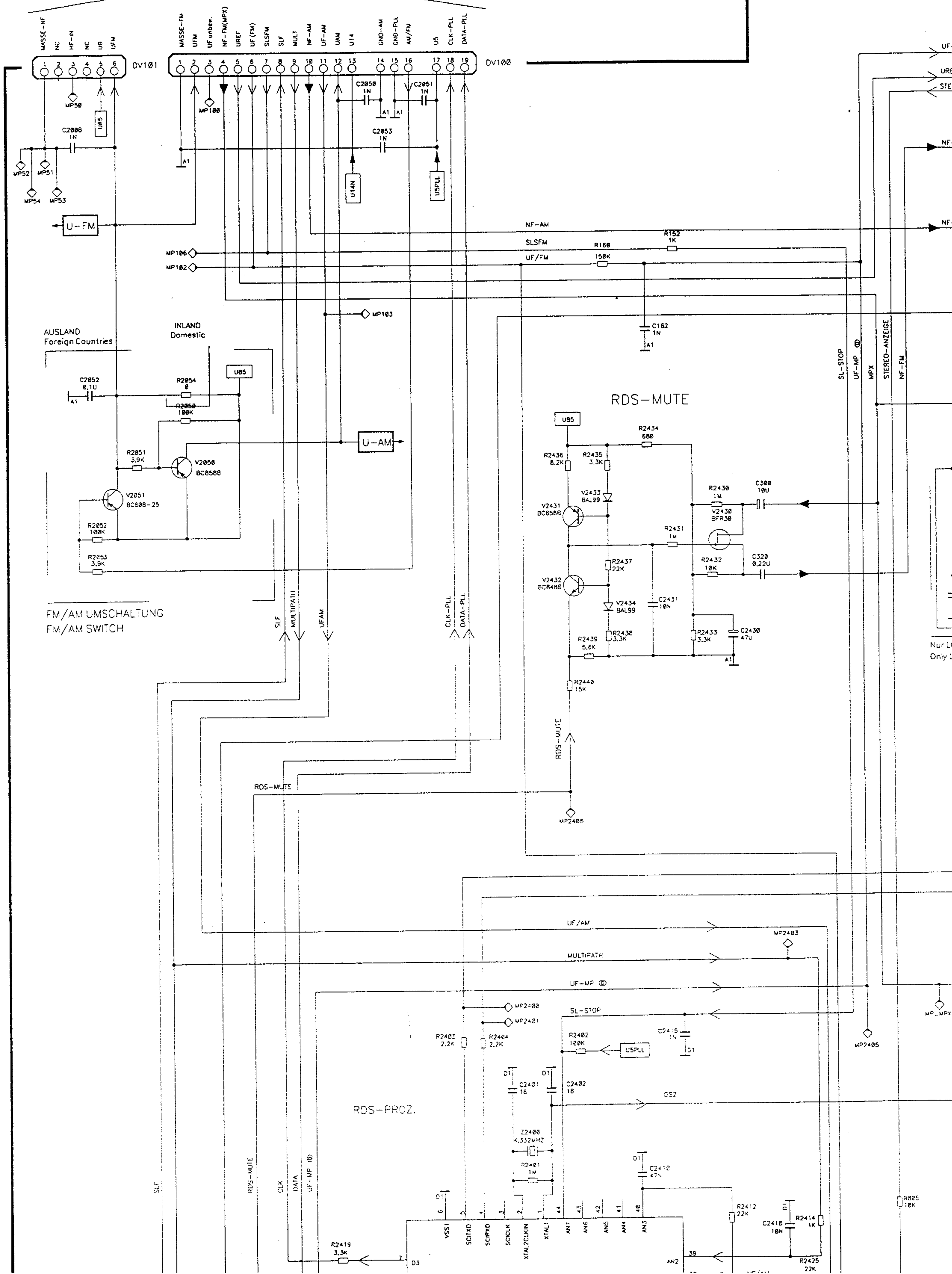
HELLIGKEIT

LCD

22	C22	28	C27	34	C34	40	C39	46	R0	52	R5
23	C23	29	C28	35	C35	41	C40	47	R1	53	R6
24	C24	30	C29	36	C36	42	C41	48	R2	54	R7
25	C25	31	C30	37	C37	43	C42	49	R3		
26	C26	32	C31	38	C38	44	C43	50	R4		
27		33	C32	39	C39	45	C44	51	R5		
		34	C33	40	C40						

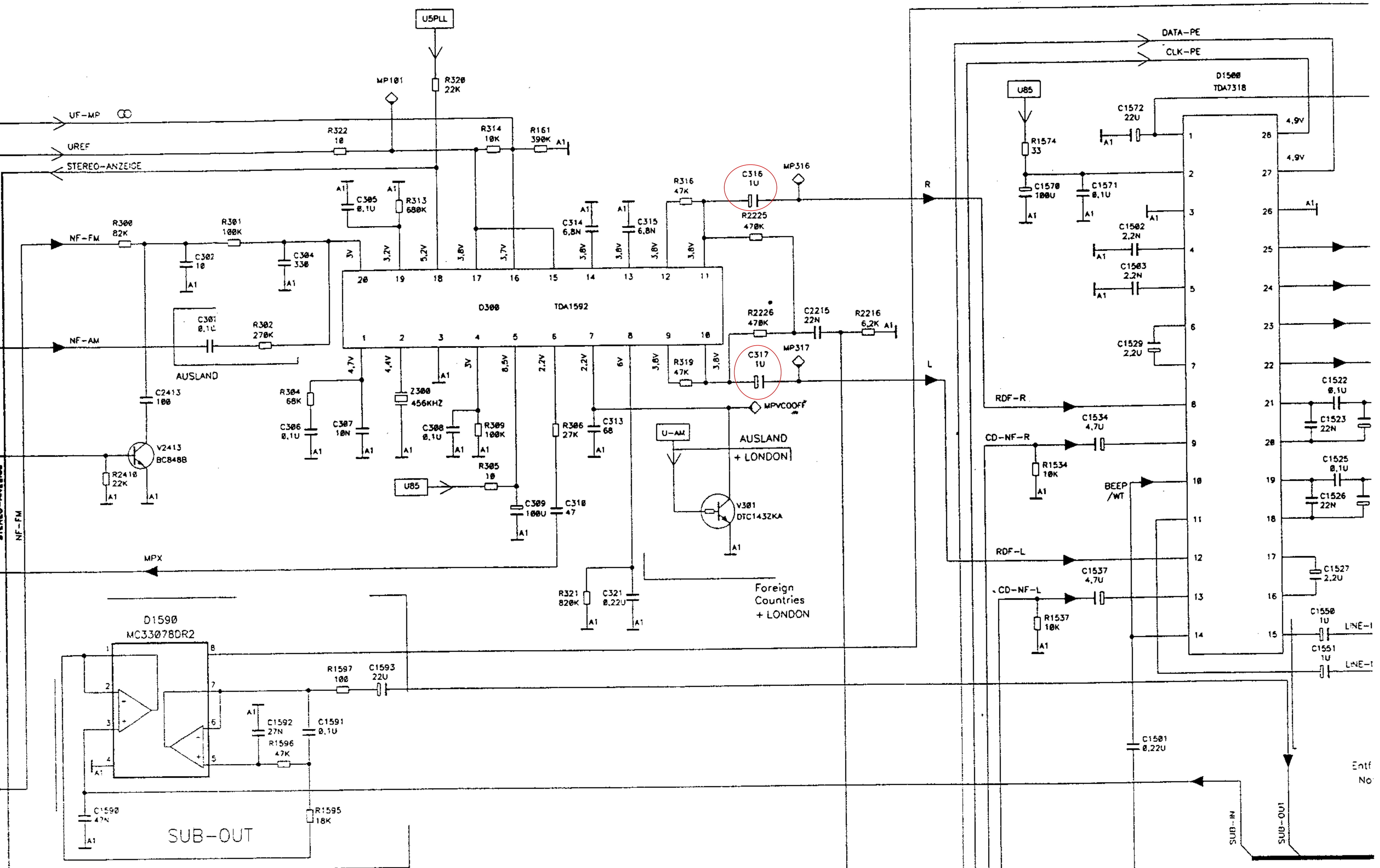


HF-MODUL



ASU/STEREO

NF-STELLER
AF-CONTROLLER



Nur LONDON
Only LONDON

TIM-NF-EIN

NF-SP

CLOCK

Nur LONDON
Only LONDON

U5SP

U5D

U51

V806 BAL99

V802 DTC1432KA

MP529

MP524

MP523

MP522

MP521

MP520

MP519

MP518

MP517

MP516

MP515

MP514

MP513

MP512

MP511

MP510

MP509

MP508

MP507

MP506

MP505

MP504

MP503

MP502

MP501

MP500

MP499

MP498

MP497

MP496

MP495

MP494

MP493

MP492

MP491

MP490

MP489

MP488

MP487

MP486

MP485

MP484

MP483

MP482

MP481

MP480

MP479

MP478

MP477

MP476

MP475

MP474

MP473

MP472

MP471

MP470

MP469

MP468

MP467

MP466

MP465

MP464

MP463

MP462

MP461

MP460

MP459

MP458

MP457

MP456

MP455

MP454

MP453

MP452

MP451

MP450

MP449

MP448

MP447

MP446

MP445

MP444

MP443

MP442

MP441

MP440

MP439

MP438

MP437

MP436

MP435

MP434

MP433

MP432

MP431

MP430

MP429

MP428

MP427

MP426

MP425

MP424

MP423

MP422

MP421

MP420

MP419

MP418

MP417

MP416

MP415

MP414

MP413

MP412

MP411

MP410

MP409

MP408

MP407

MP406

MP405

MP404

MP403

MP402

MP401

MP400

MP399

MP398

MP397

MP396

MP395

MP394

MP393

MP392

MP391

MP390

MP389

MP388

MP387

MP386

MP385

MP384

MP383

MP382

MP381

MP380

MP379

MP378

MP377

MP376

MP375

MP374

MP373

MP372

MP371

MP370

MP369

MP368

MP367

MP366

MP365

MP364

MP363

MP362

MP361

MP360

MP359

MP358

MP357

MP356

MP355

MP354

MP353

MP352

MP351

MP350

MP349

MP348

MP347

MP346

MP345

MP344

MP343

MP342

MP341

MP340

MP339

MP338

MP337

MP336

MP335

MP334

MP333

MP332

MP331

MP330

MP329

MP328

MP327

MP326

MP325

MP324

MP323

MP322

MP321

MP320

MP319

MP318

MP317

MP316

MP315

MP314

MP313

MP312

MP311

MP310

MP309

MP308

MP307

MP306

MP305

MP304

MP303

MP302

MP301

MP300

MP299

MP298

MP297

MP296

MP295

MP294

MP293

MP292

MP291

MP290

MP289

MP288

MP287

MP286

MP285

MP284

MP283

MP282

MP281

MP280

MP279

MP278

MP277

MP276

MP275

MP274

MP273

MP272

MP271

MP270

MP269

MP268

MP267

MP266

MP265

MP264

MP263

MP262

MP261

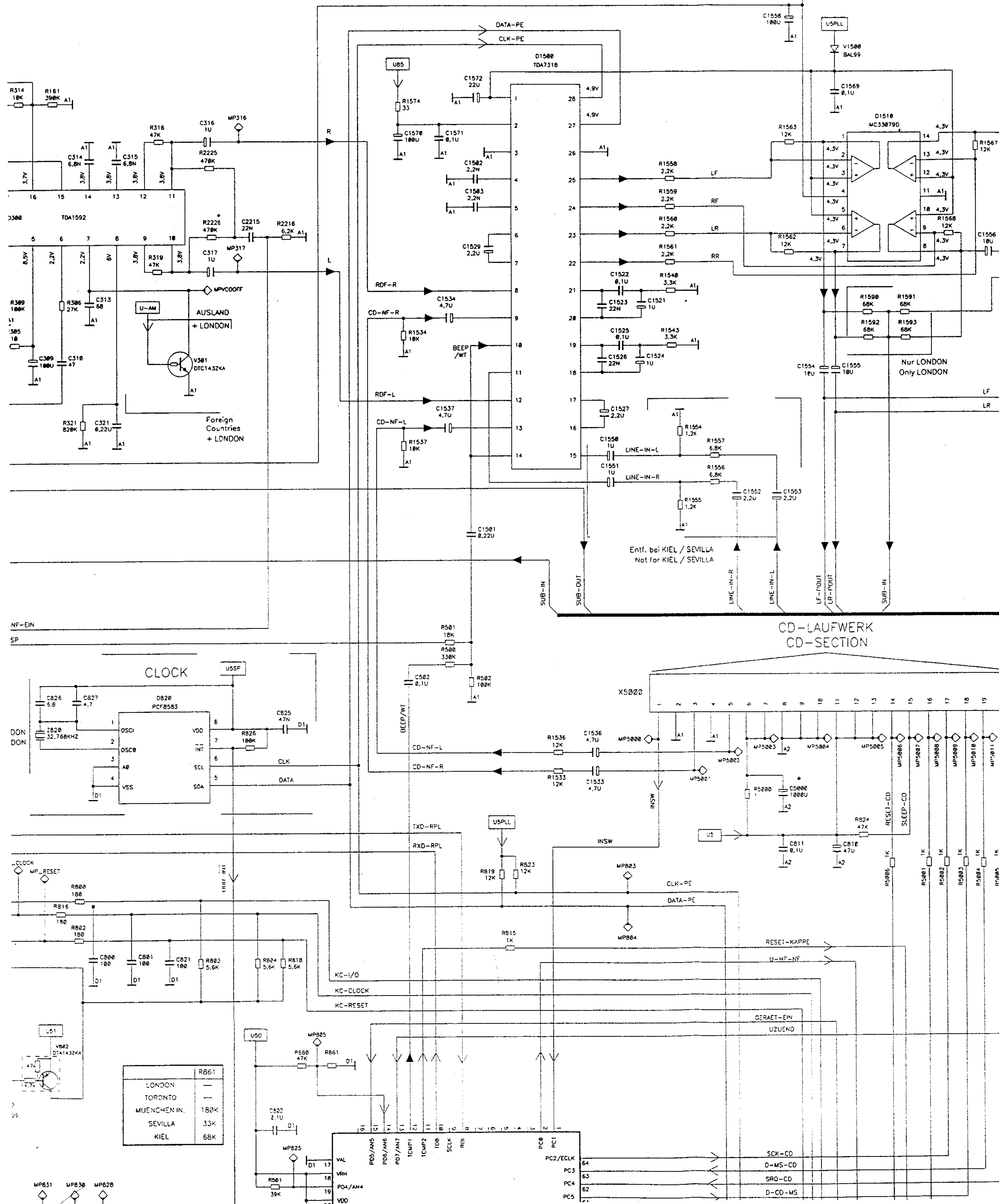
MP260

MP259

MP258

MP257

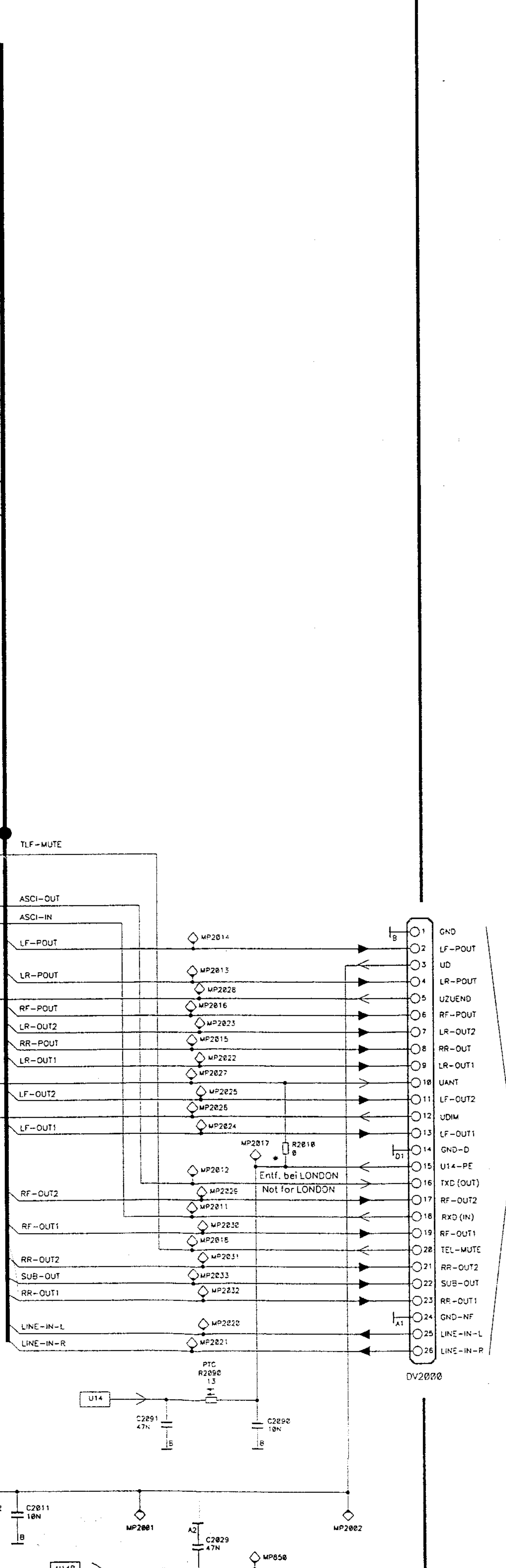
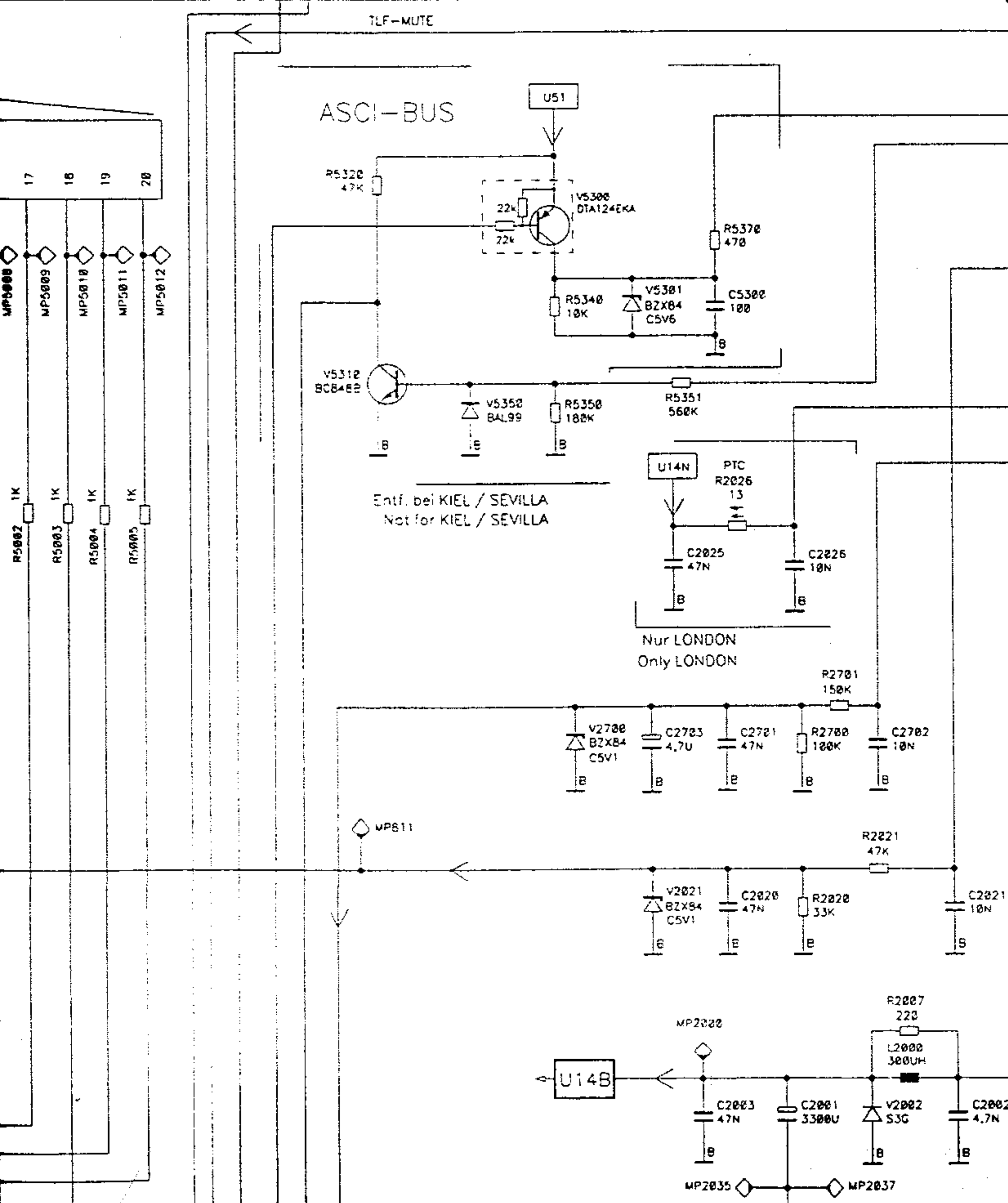
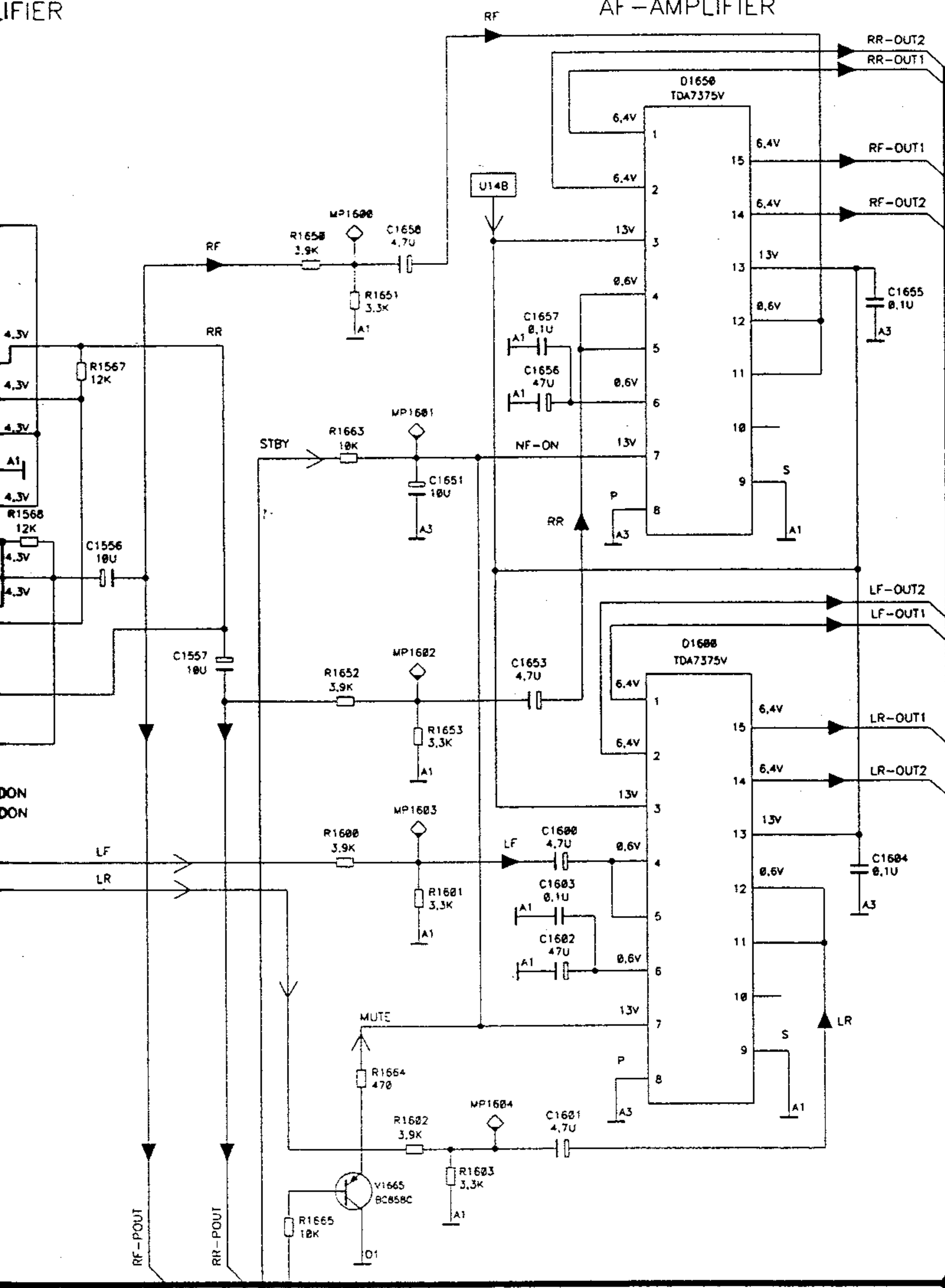
MP256



LONDON	R861
TORONTO	---
MUENCHEN IN.	180K
SEVILLA	33K
KIEL	68K

FAERKER
IFIER

NF-VERSTAERKER
AF-AMPLIFIER



Anschlusskasten / Connector board

