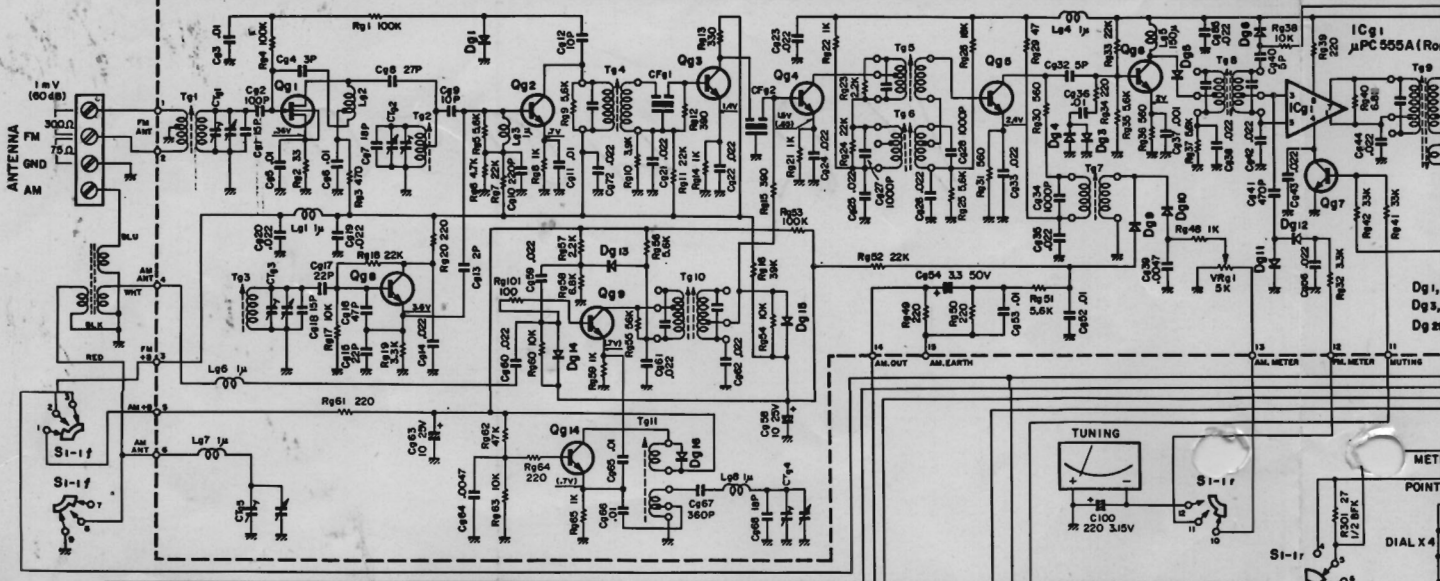


# KR-4050 SCHEMATIC

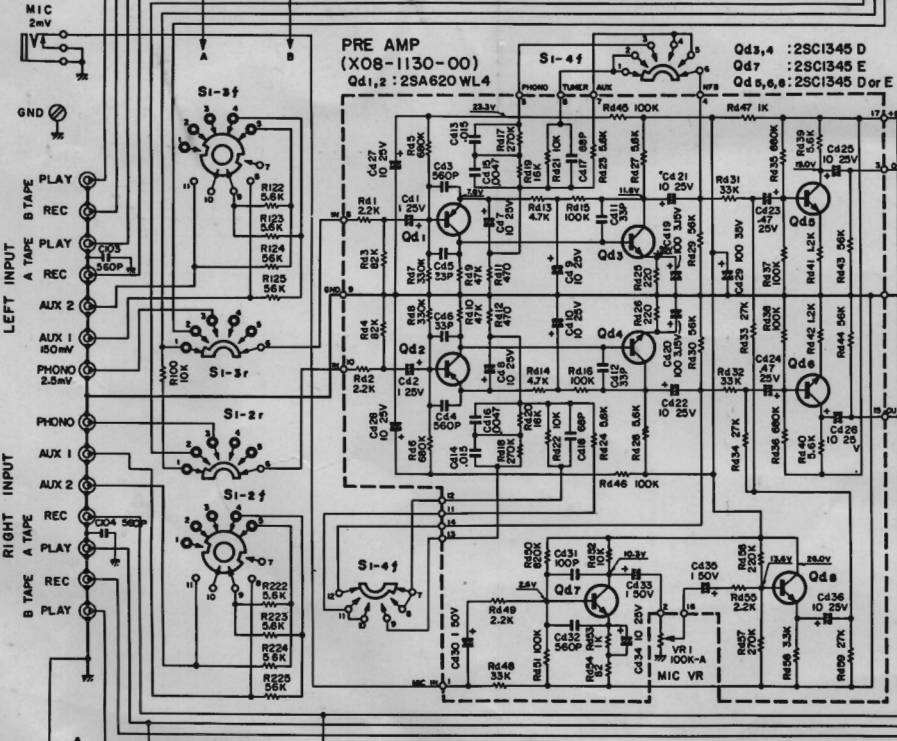
## TUNER (X05-1080-61)

Qg1:3K30 (C), Qg2-4:25C561 (R), Qg5,6:25C535 (C), Qg7:25C945 (C), Qg8:25C785 (R), Qg9,14:25C941 (C), Qg10:25A733 (C)

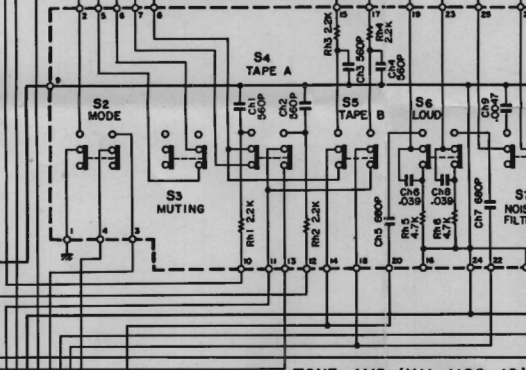


## PRE AMP (X08-1130-00)

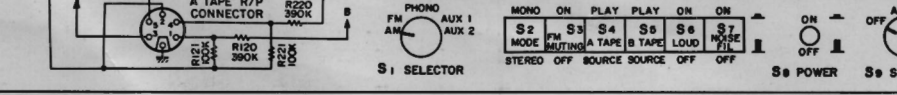
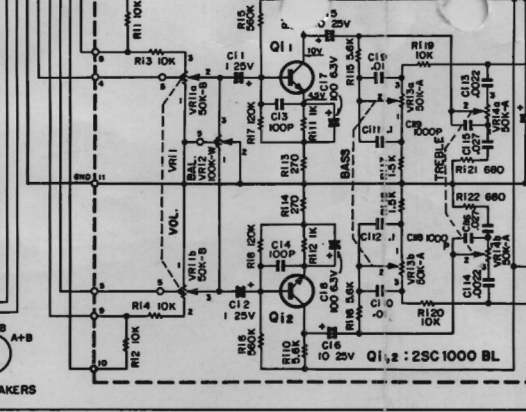
Qd1,2:2SA620 WL4, Qd3,4:2SC1345 D, Qd7:2SC1345 E, Qd5,6,8:2SC1345 D or E



## PUSH SWITCH (X13-1270-10)



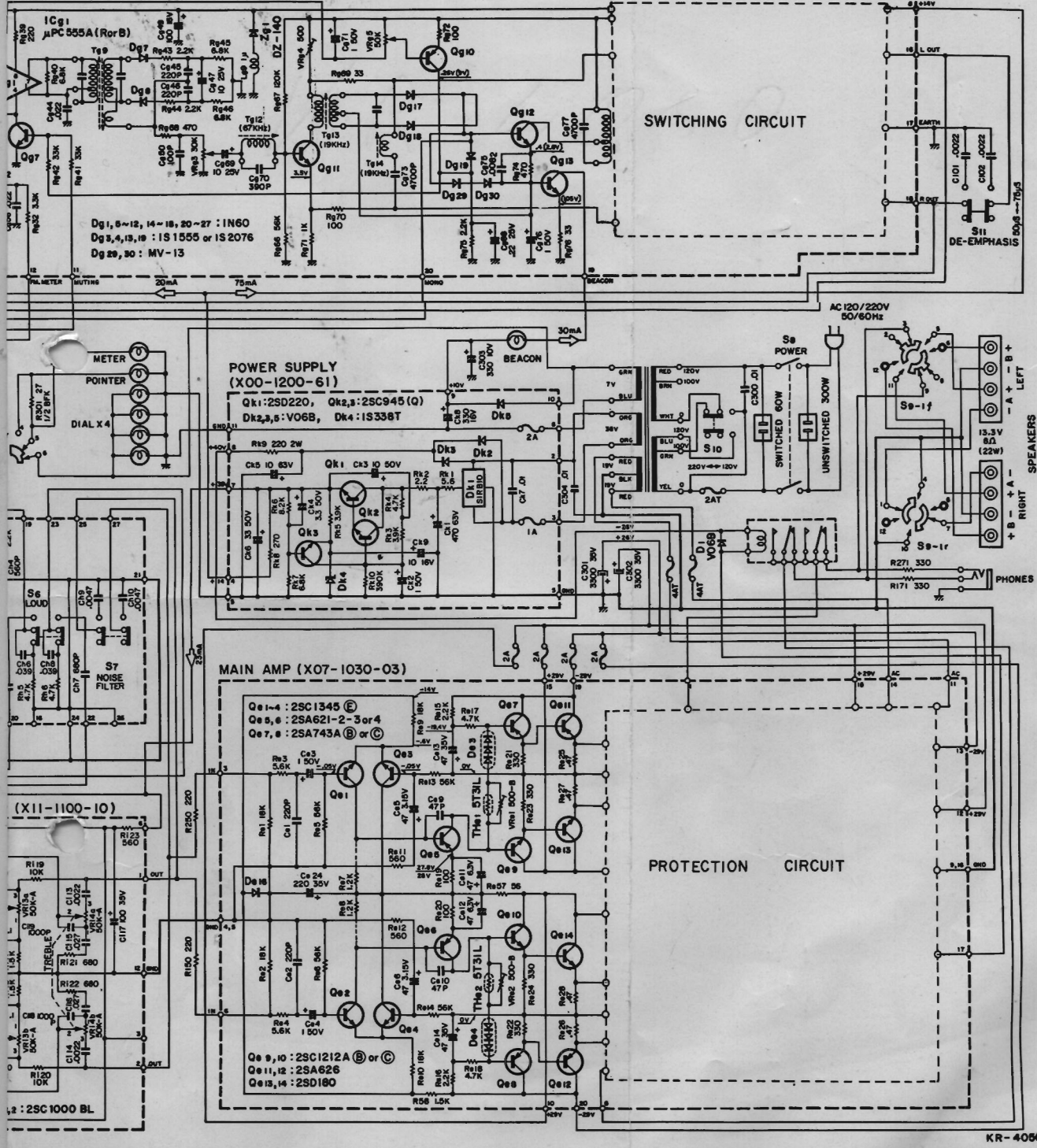
## STONE AMF (X11-1100-10)



NOTE: We reserve the right to make modifications in this model in accordance with technical developments.

# OMATIC DIAGRAM

Qg10: 2SA733 (R), Qg11,12: 2SC458 (D), Qg13: 2SC1213A (C)



KR-4060