

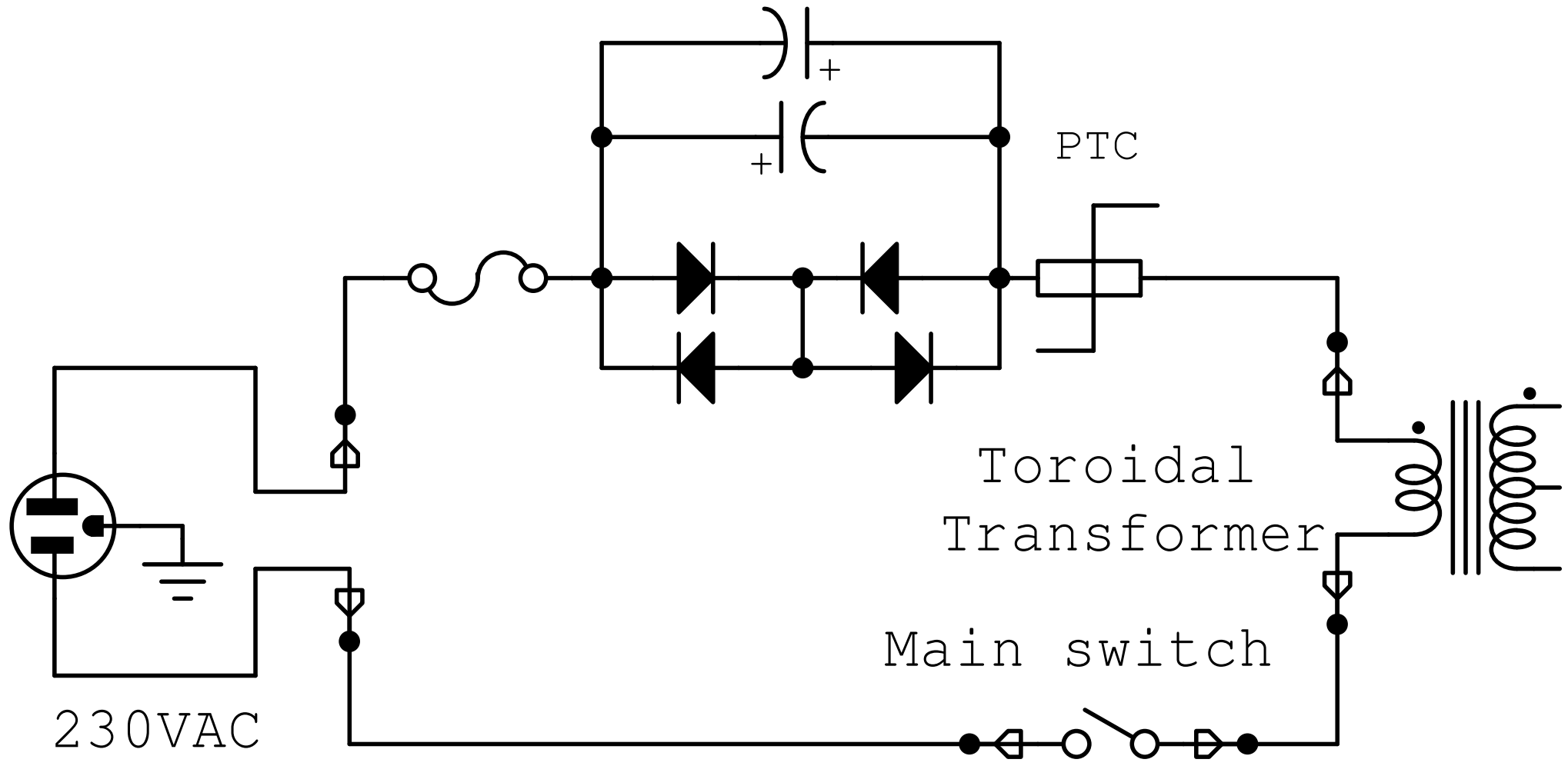
230VAC

PTC

Toroidal
Transformer

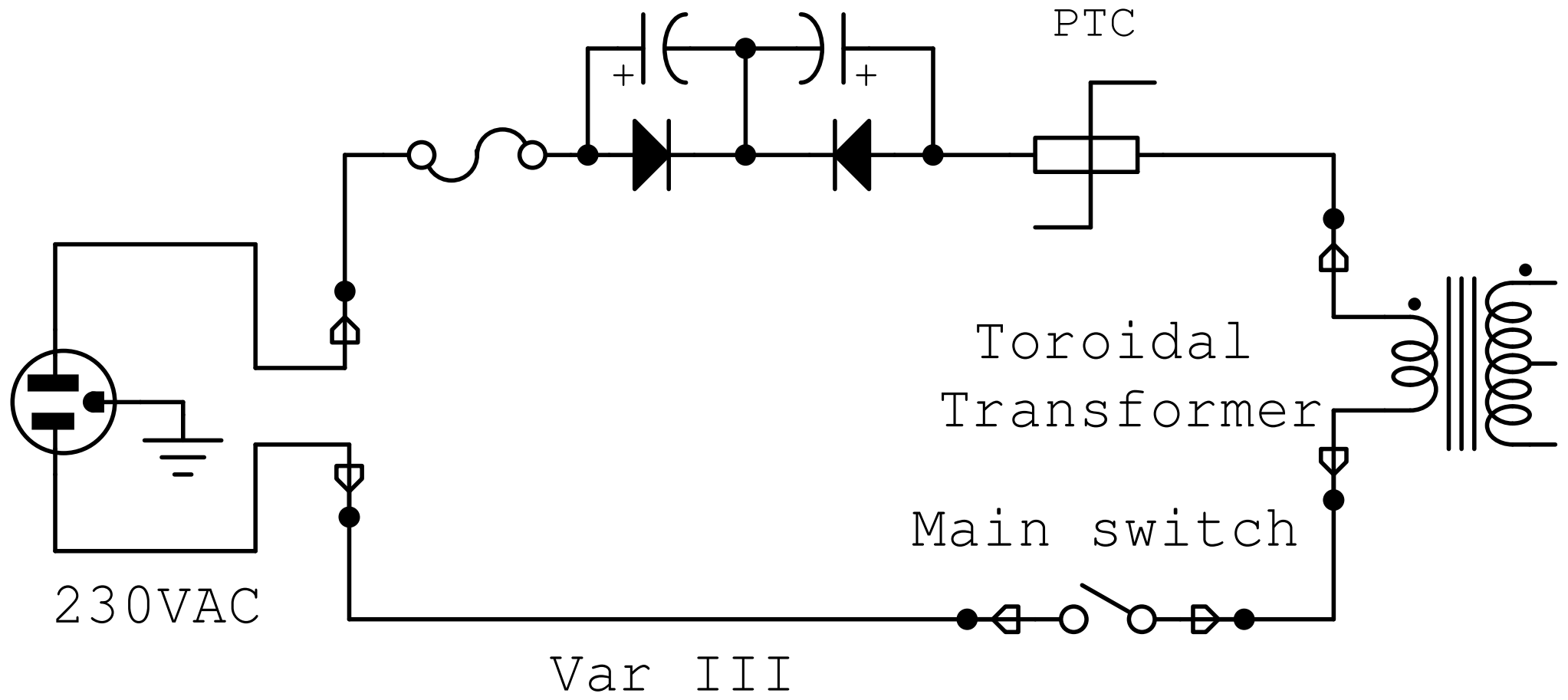
Main switch

Var I
Var. Thule Audio

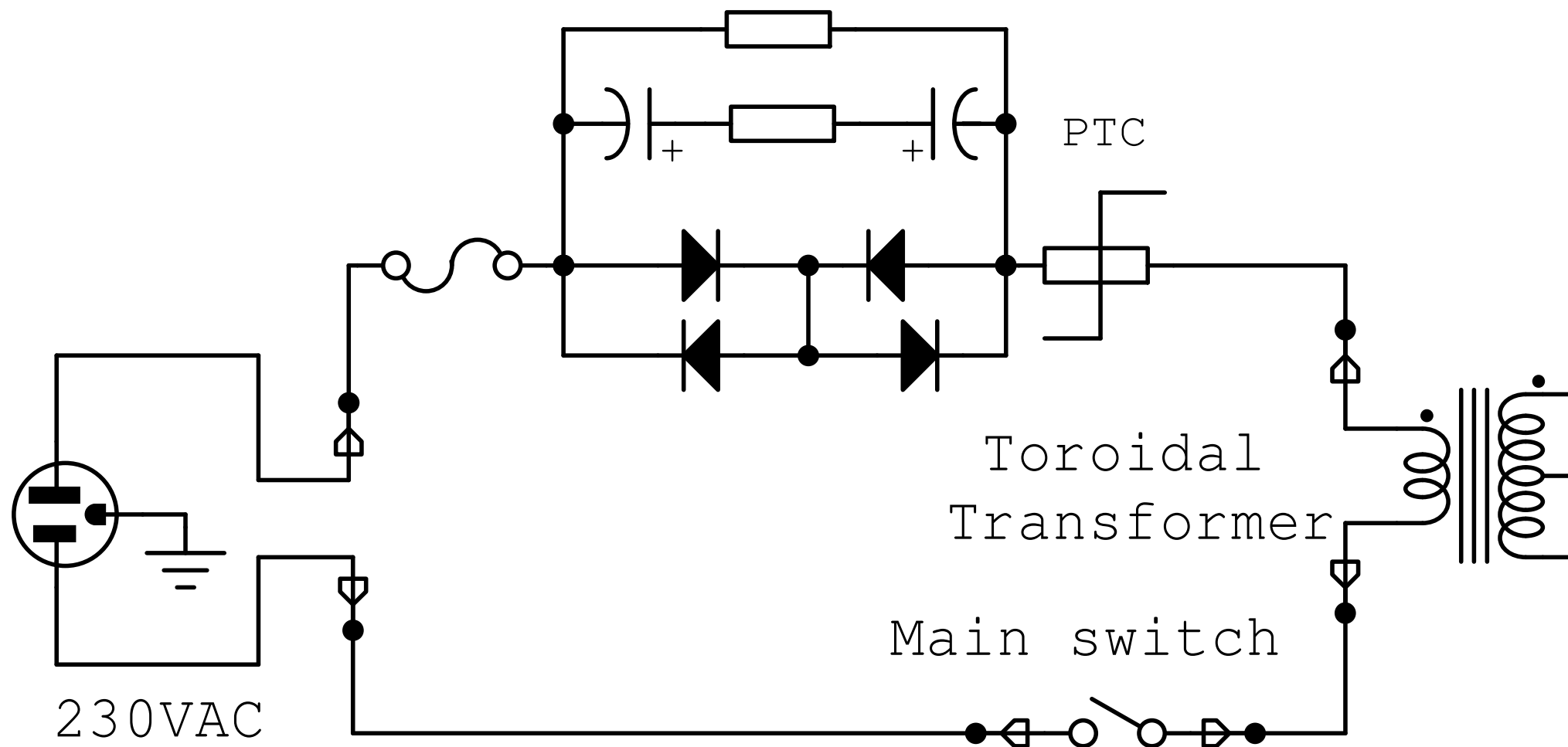


Var II

Var. Bryston

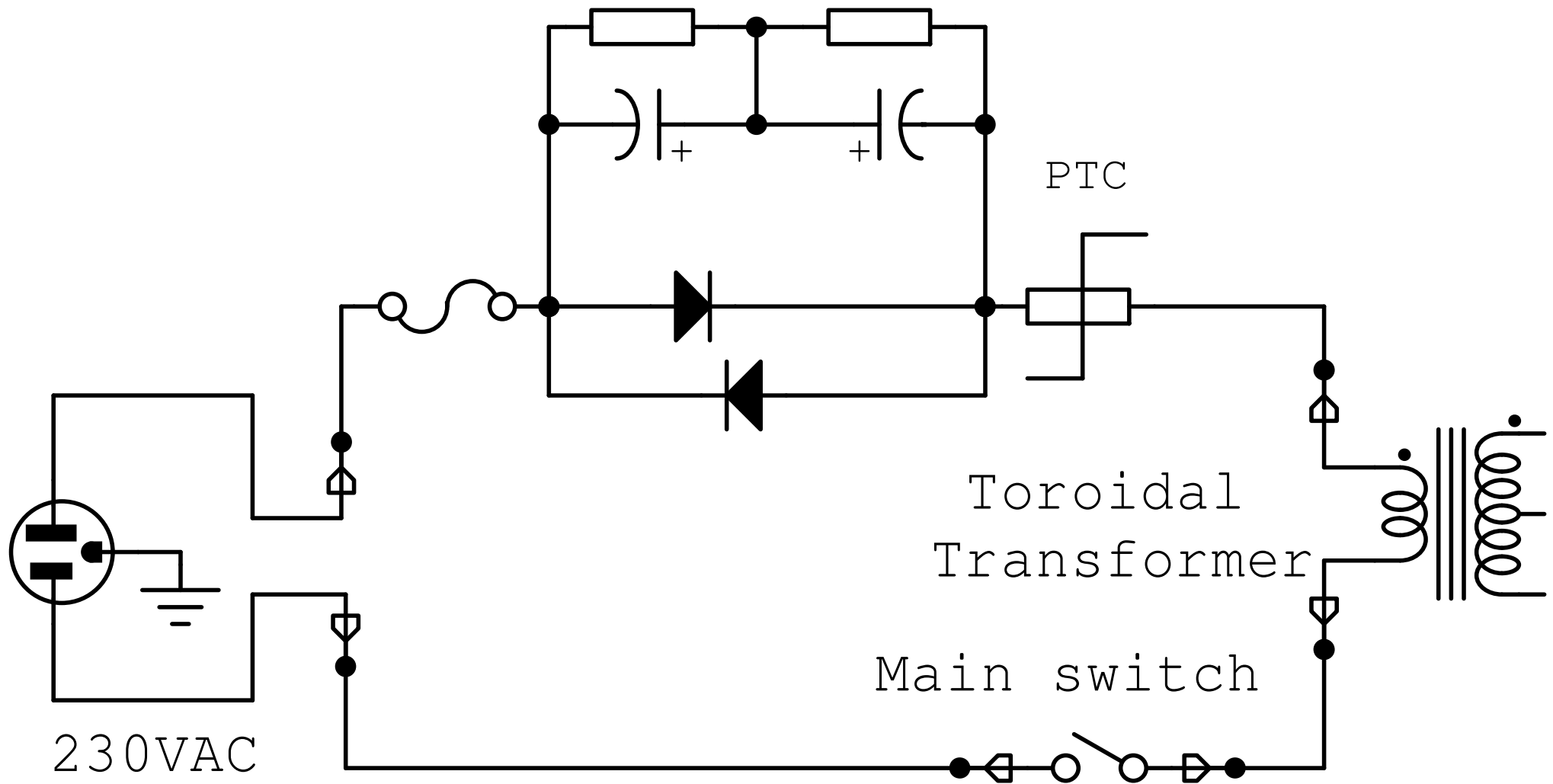


<http://web.archive.org/web/20030821171409/>
<http://www.diyparadise.com/dablok.html>



Var IV

<http://www.diyaudio.com/forums/pass-labs/57856-soft-start-standby-functions-your-aleph-amplifier.html> - post #10



230VAC

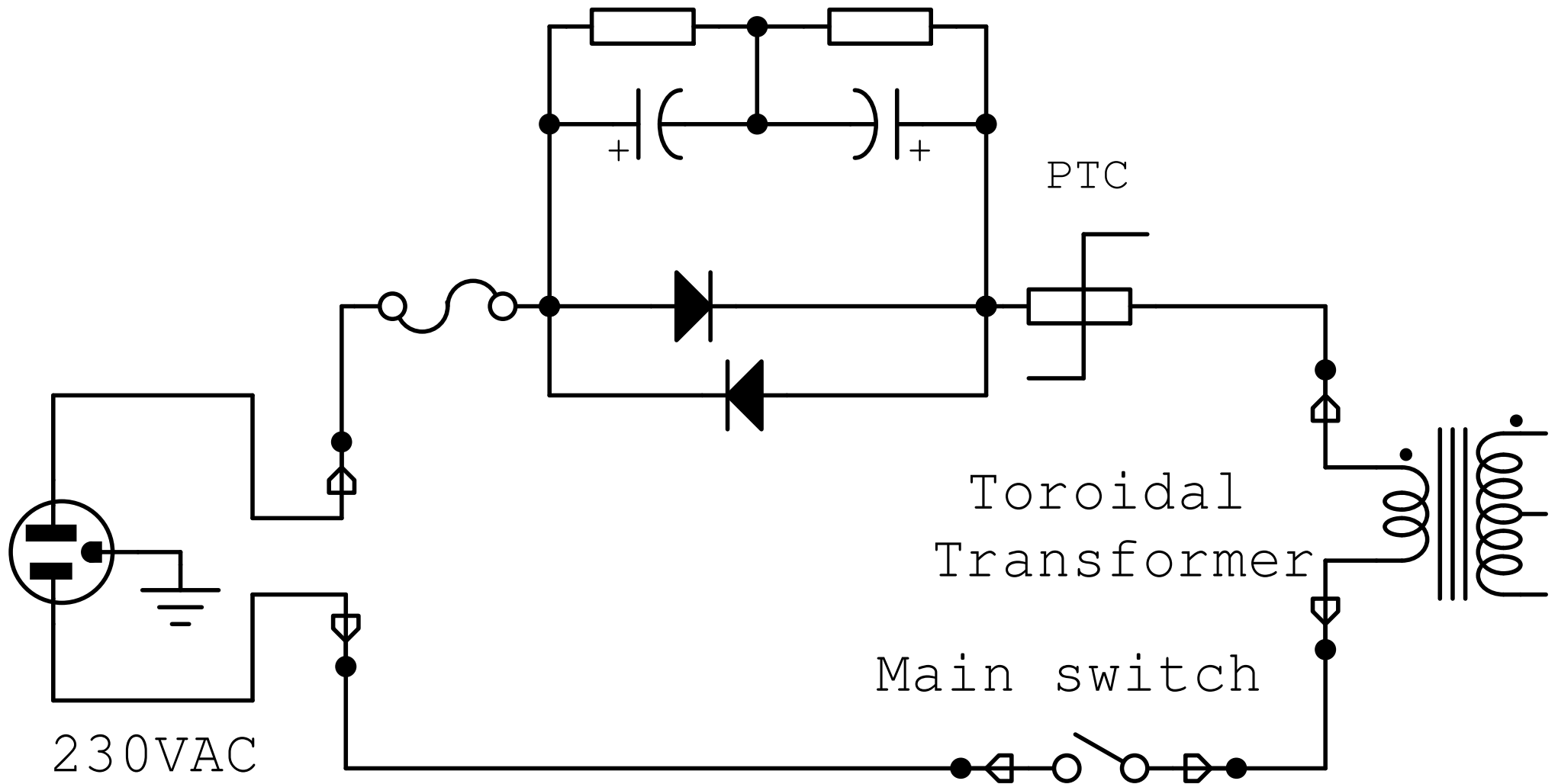
PTC

Toroidal
Transformer

Main switch

Var V

my currently own version



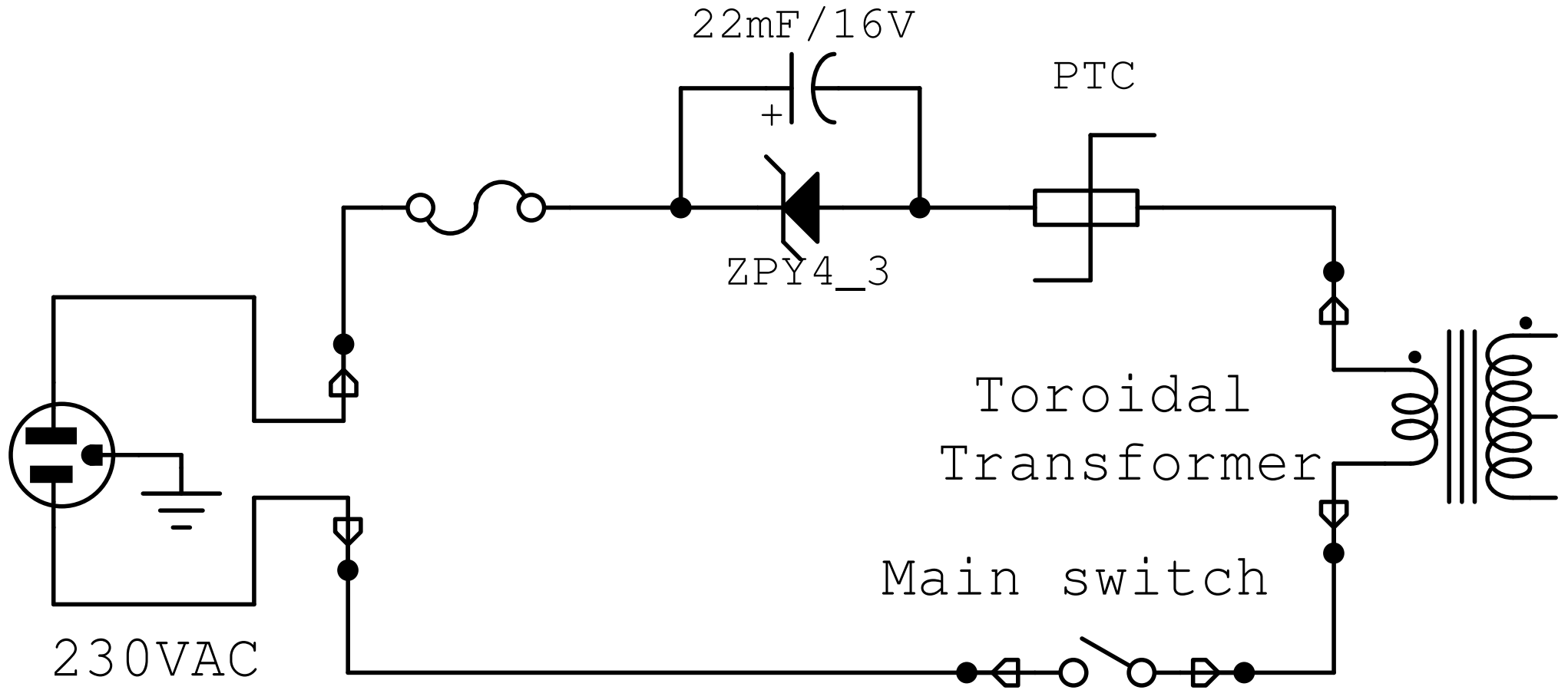
230VAC

PTC

Toroidal
Transformer

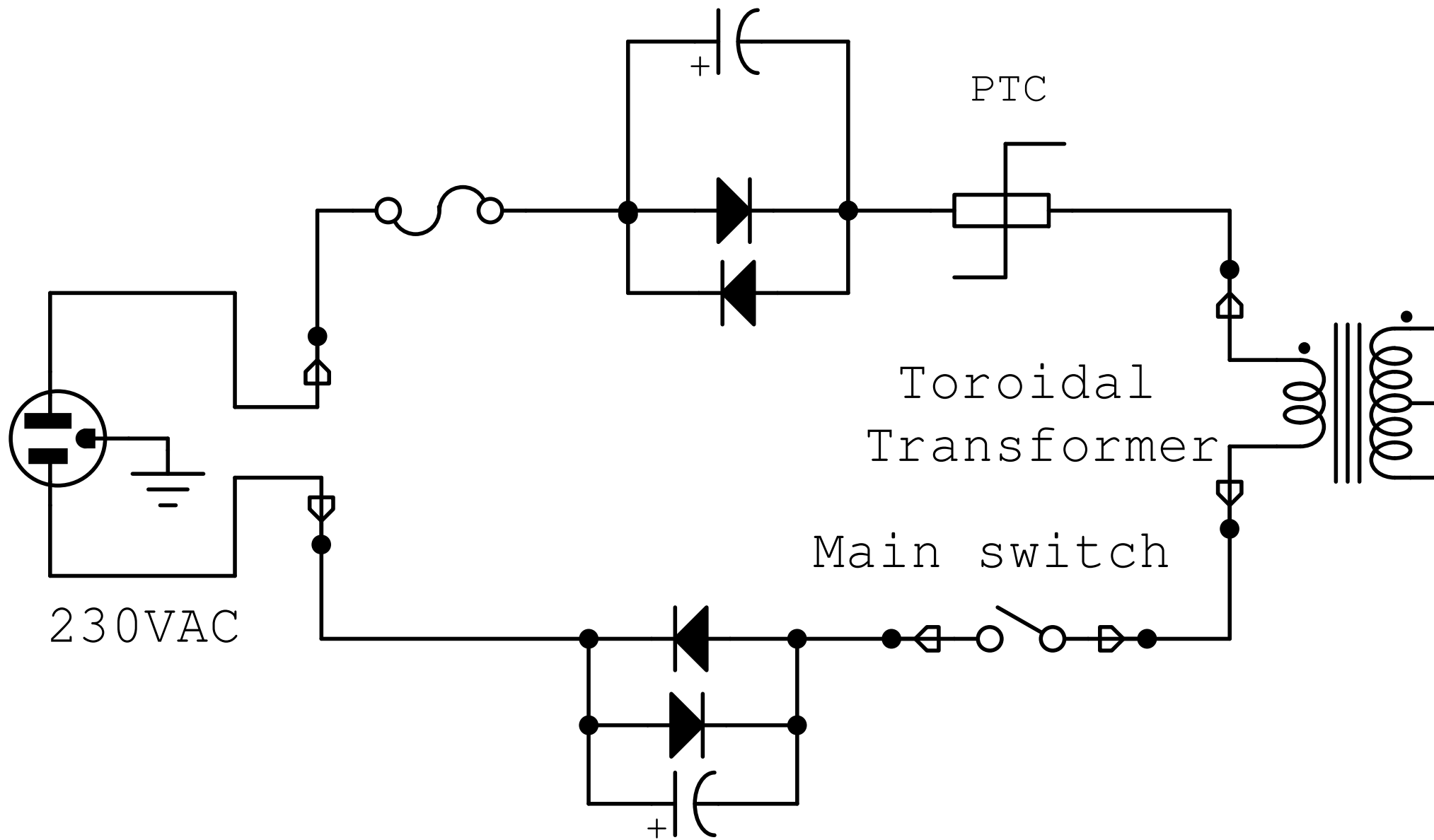
Main switch

Var VI



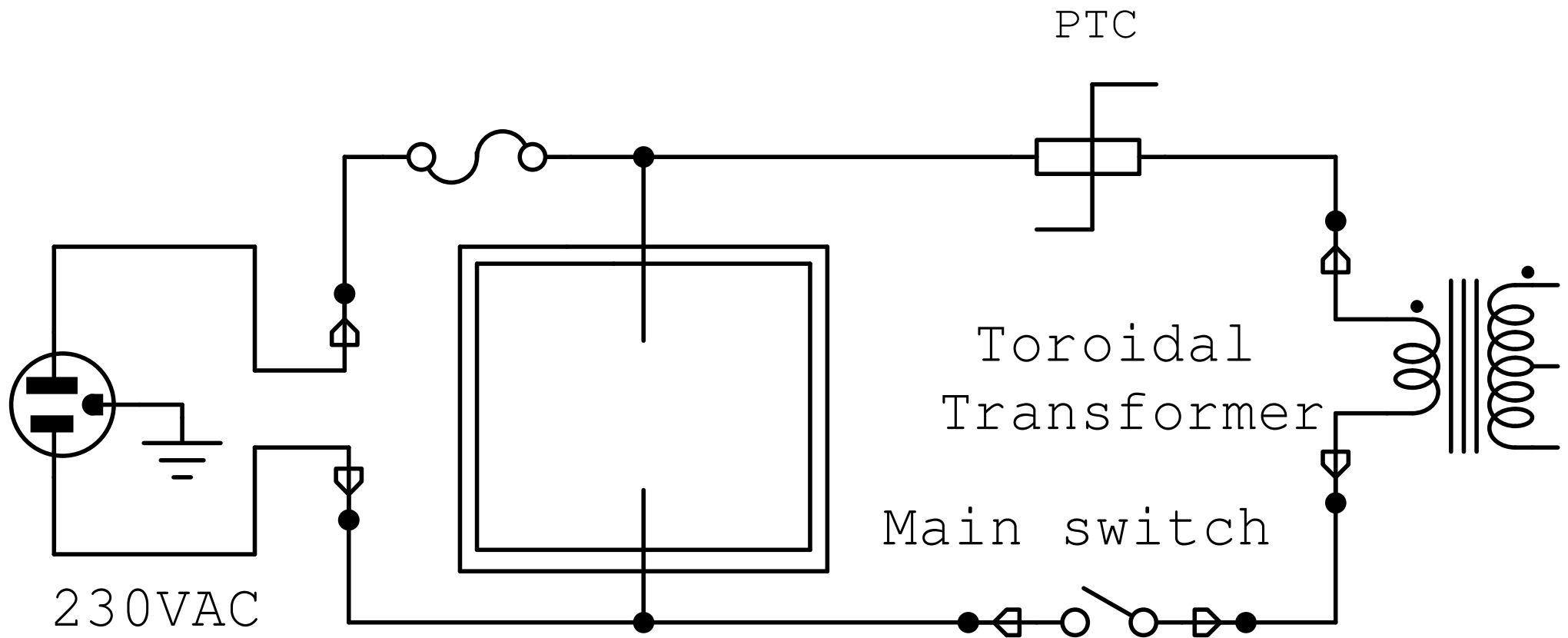
Var VII

Var. LC Audio Technology



Var VIII

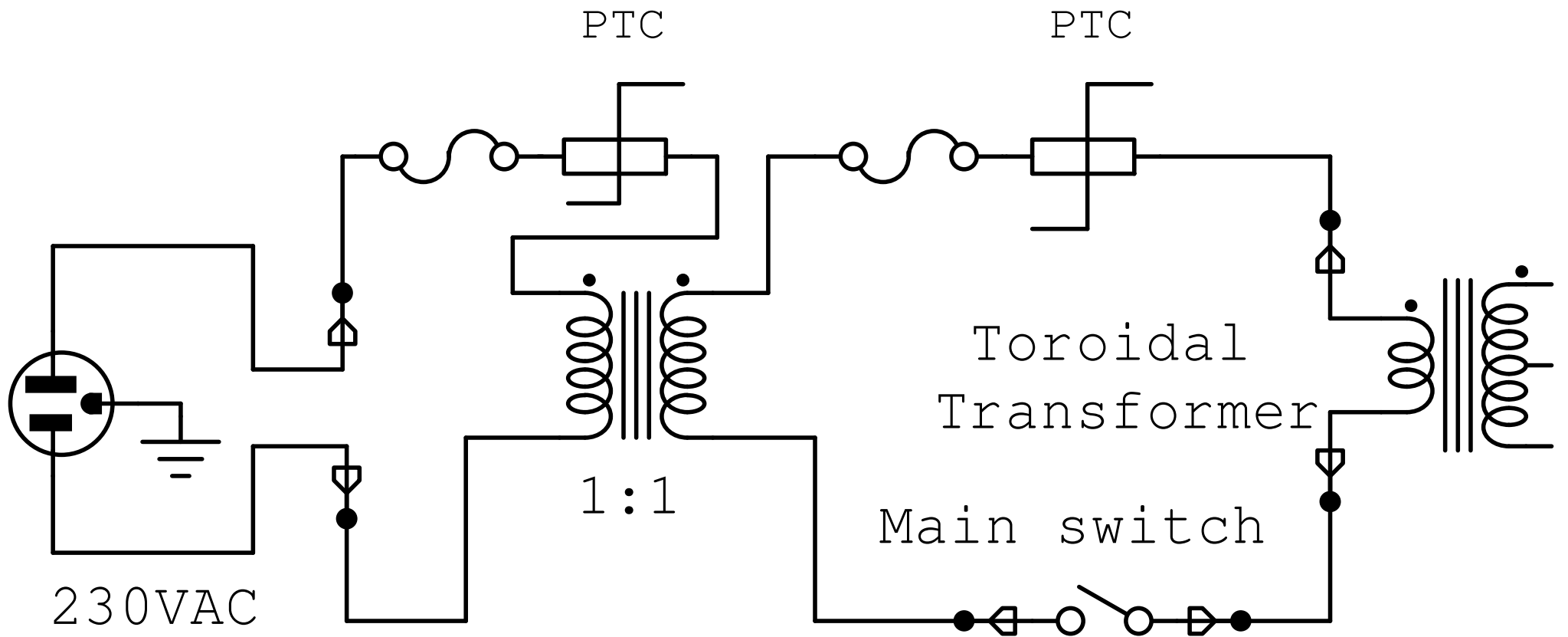
<http://www.degenonline.de/hifi.htm#dcfilter>



Var IX

parallel mode DC compensation

<http://www.horch-gmbh.de/Produkte/linesilencer.html>



Var X