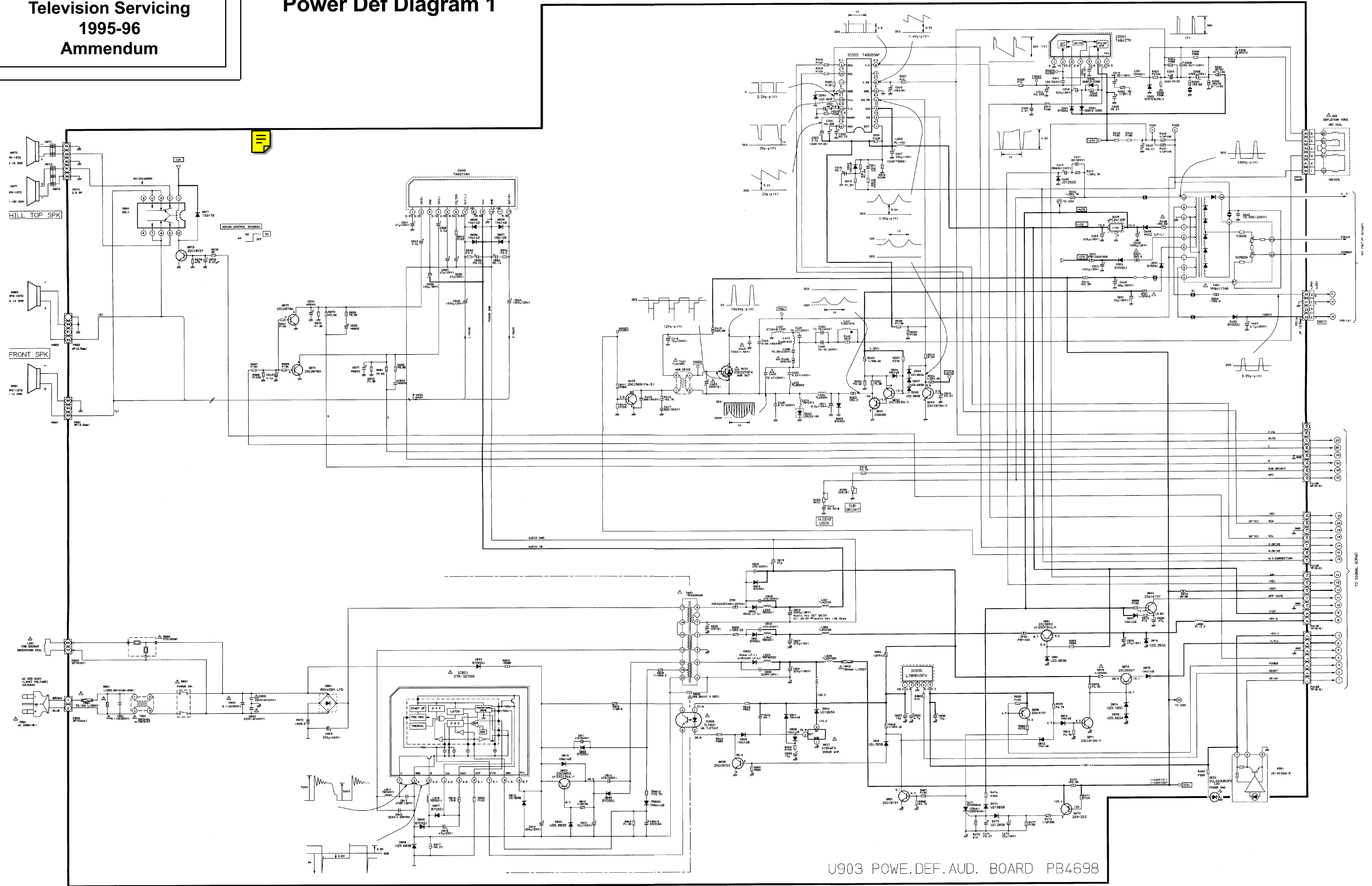


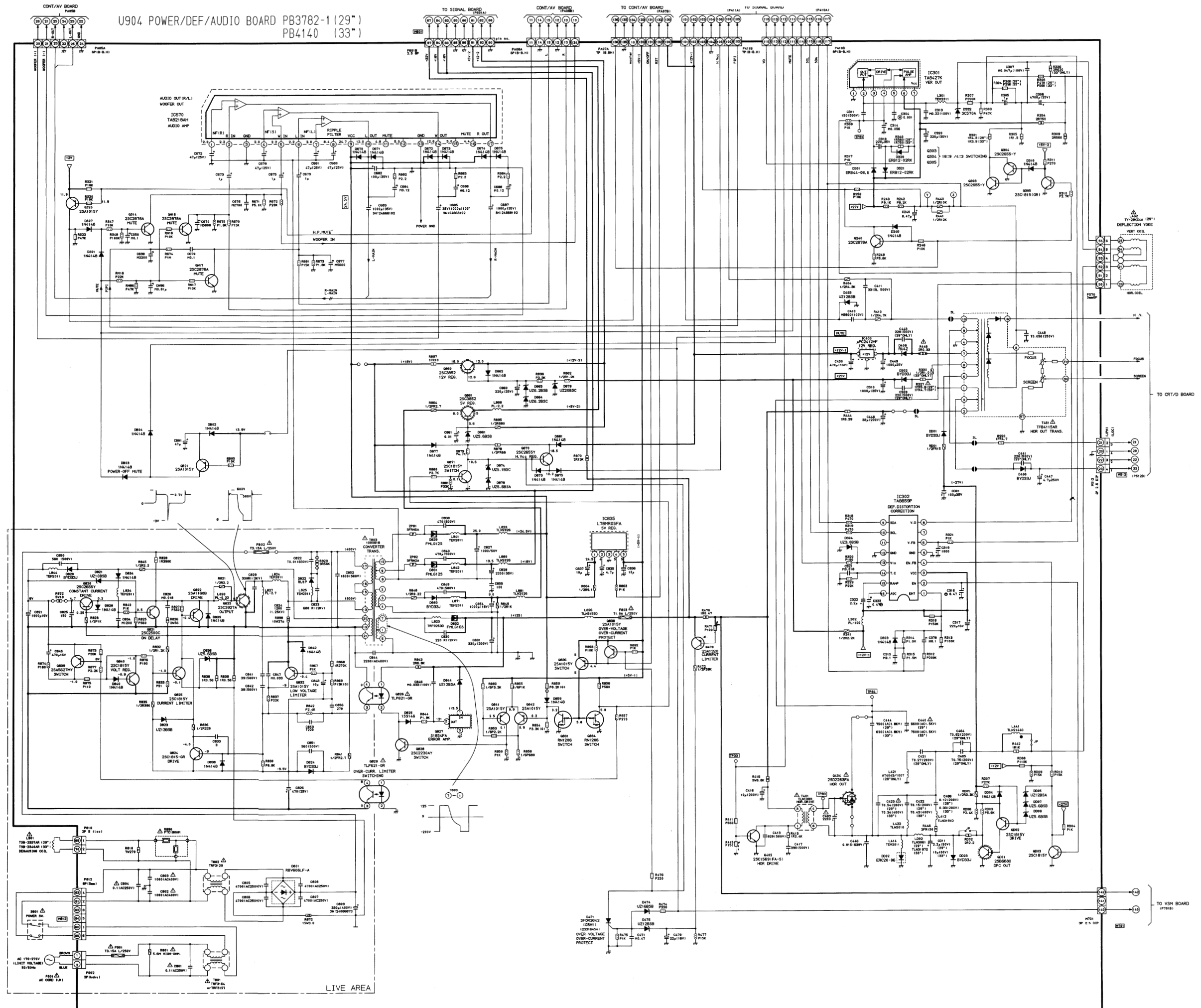
## General Information

Television Servicing  
1995-96  
Ammdum

## Power Def Diagram 1

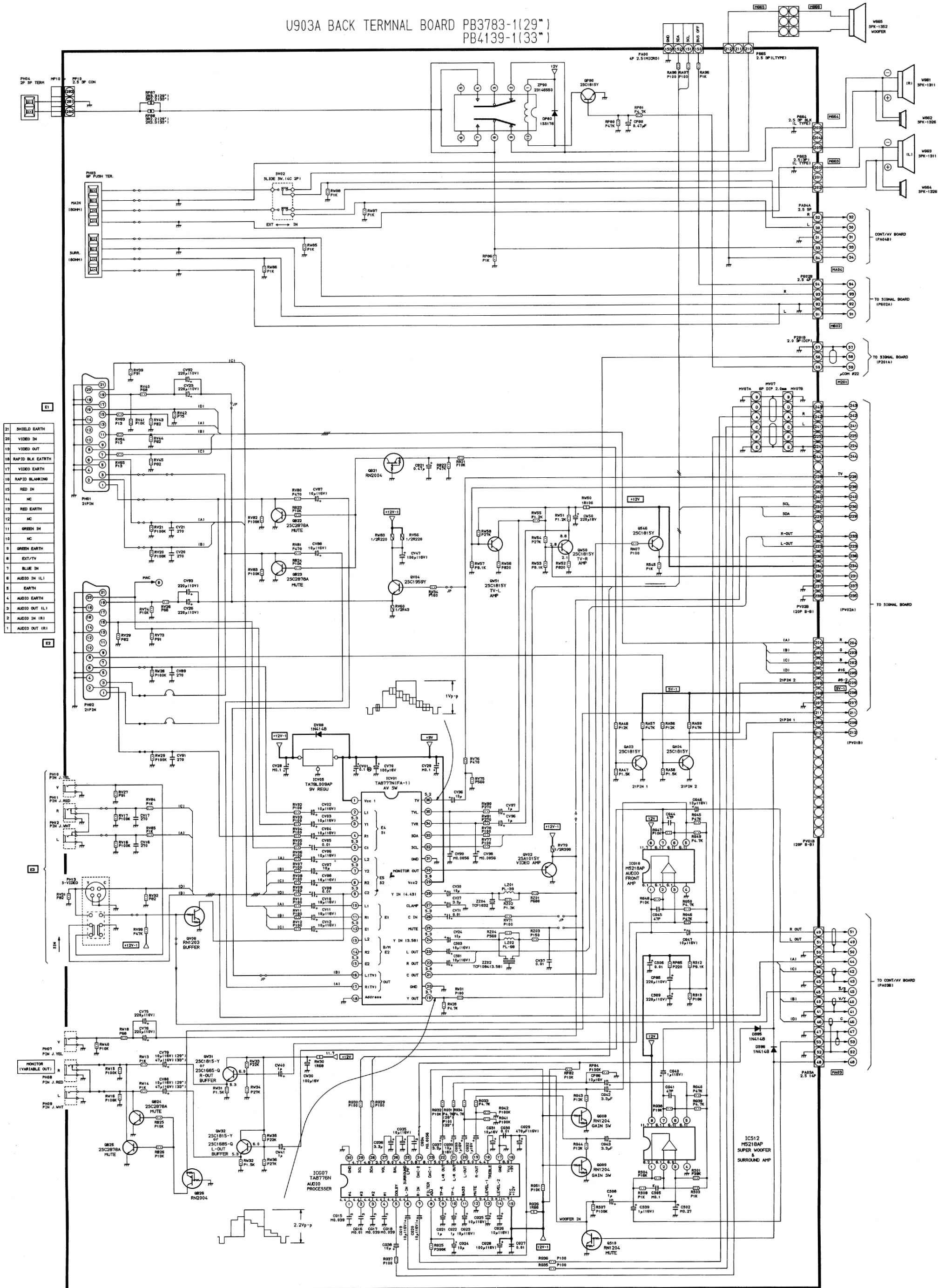


Power Def Audio Diagram 2



Back Terminal Diagram

U903A BACK TERMINAL BOARD PB3783-1(29")  
PB4139-1(33")



E1

21	SHIELD EARTH
20	VIDEO IN
19	VIDEO OUT
18	RAPID BLK EARTH
17	VIDEO EARTH
16	RAPID BLANKING
15	RED IN
14	NC
13	RED EARTH
12	NC
11	GREEN IN
10	NC
9	GREEN EARTH
8	EXT/TV
7	BLUE IN
6	AUDIO IN (L)
5	EARTH
4	AUDIO EARTH
3	AUDIO OUT (L)
2	AUDIO IN (R)
1	AUDIO OUT (R)

E2

1	TV
2	TVR
3	SOA
4	SCAL
5	GND
6	Y IN (4.3)
7	CLAMP
8	C IN
9	MUTE
10	L OUT
11	R OUT
12	C OUT
13	Y OUT
14	Address

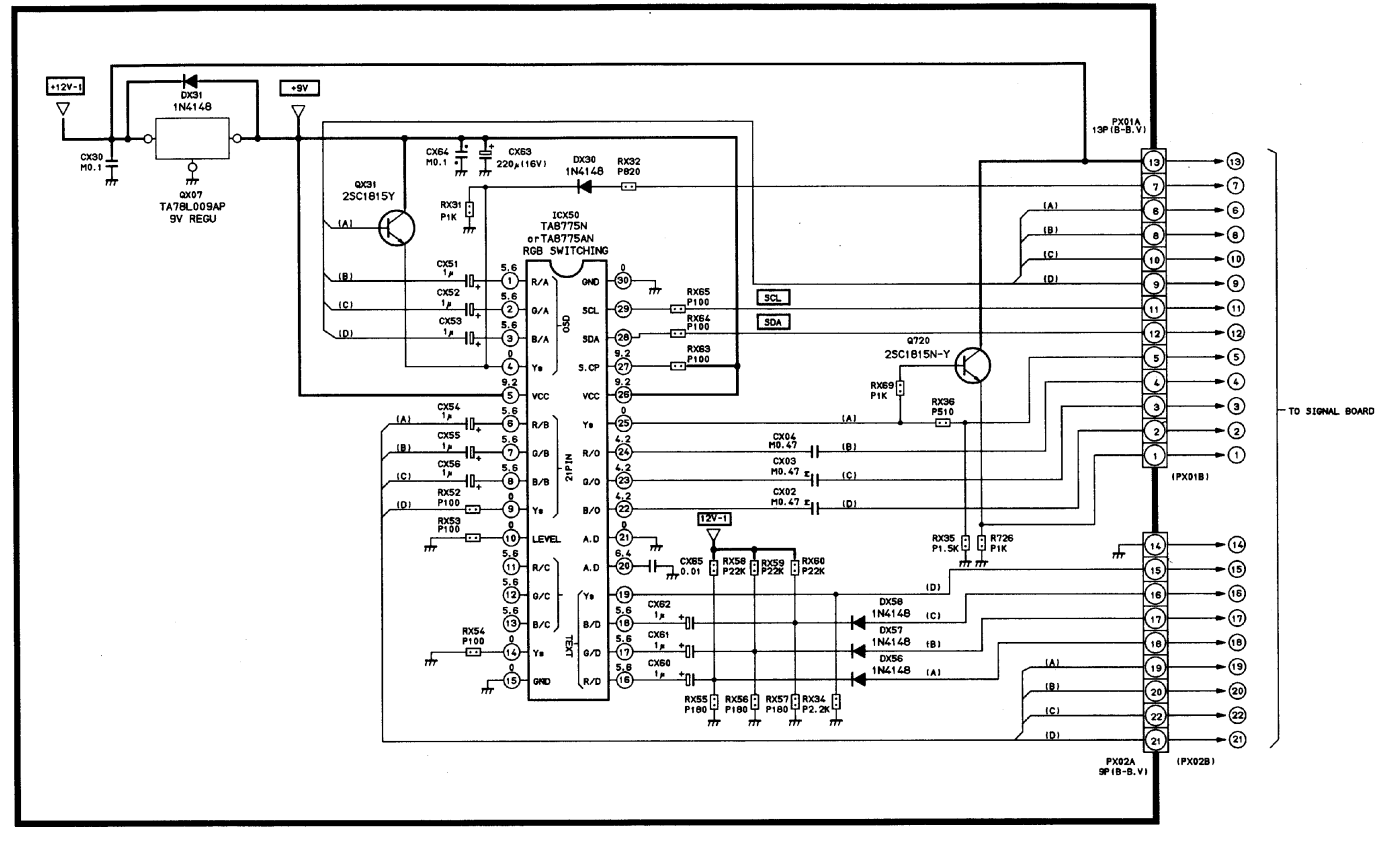
E3

1	R
2	L
3	IC1
4	IC2
5	IC3
6	IC4
7	IC5
8	IC6
9	IC7
10	IC8
11	IC9
12	IC10
13	IC11
14	IC12
15	IC13
16	IC14
17	IC15
18	IC16
19	IC17
20	IC18
21	IC19
22	IC20
23	IC21
24	IC22
25	IC23
26	IC24
27	IC25
28	IC26
29	IC27
30	IC28
31	IC29
32	IC30
33	IC31
34	IC32
35	IC33
36	IC34
37	IC35
38	IC36
39	IC37
40	IC38
41	IC39
42	IC40
43	IC41
44	IC42
45	IC43
46	IC44
47	IC45
48	IC46
49	IC47
50	IC48
51	IC49
52	IC50
53	IC51
54	IC52
55	IC53
56	IC54
57	IC55
58	IC56
59	IC57
60	IC58
61	IC59
62	IC60
63	IC61
64	IC62
65	IC63
66	IC64
67	IC65
68	IC66
69	IC67
70	IC68
71	IC69
72	IC70
73	IC71
74	IC72
75	IC73
76	IC74
77	IC75
78	IC76
79	IC77
80	IC78
81	IC79
82	IC80
83	IC81
84	IC82
85	IC83
86	IC84
87	IC85
88	IC86
89	IC87
90	IC88
91	IC89
92	IC90
93	IC91
94	IC92
95	IC93
96	IC94
97	IC95
98	IC96
99	IC97
100	IC98



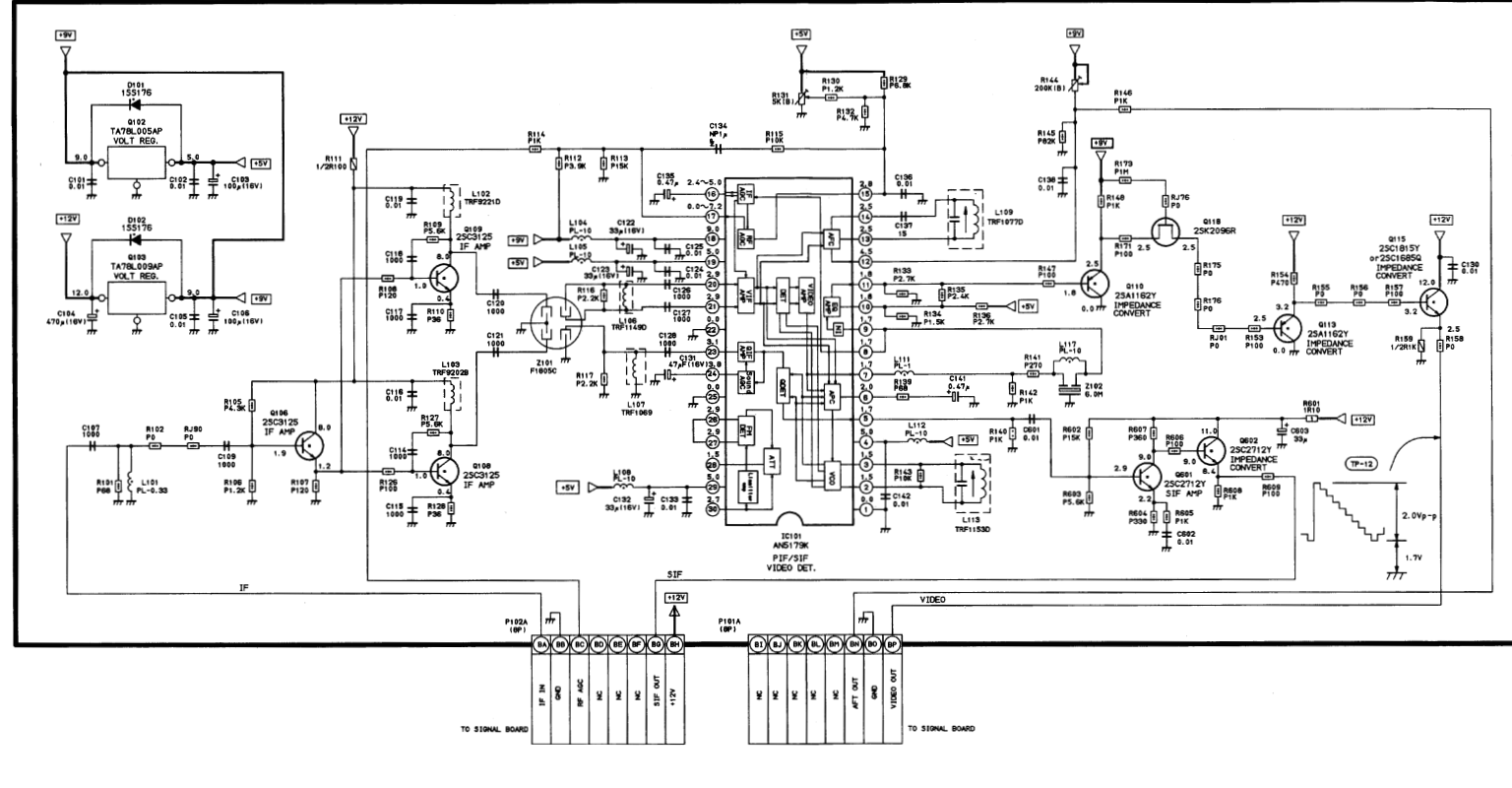
### RGB Switch Diagram

U903D RGB SW. BOARD PB3783-3 (29")  
PB4139-3 (33")



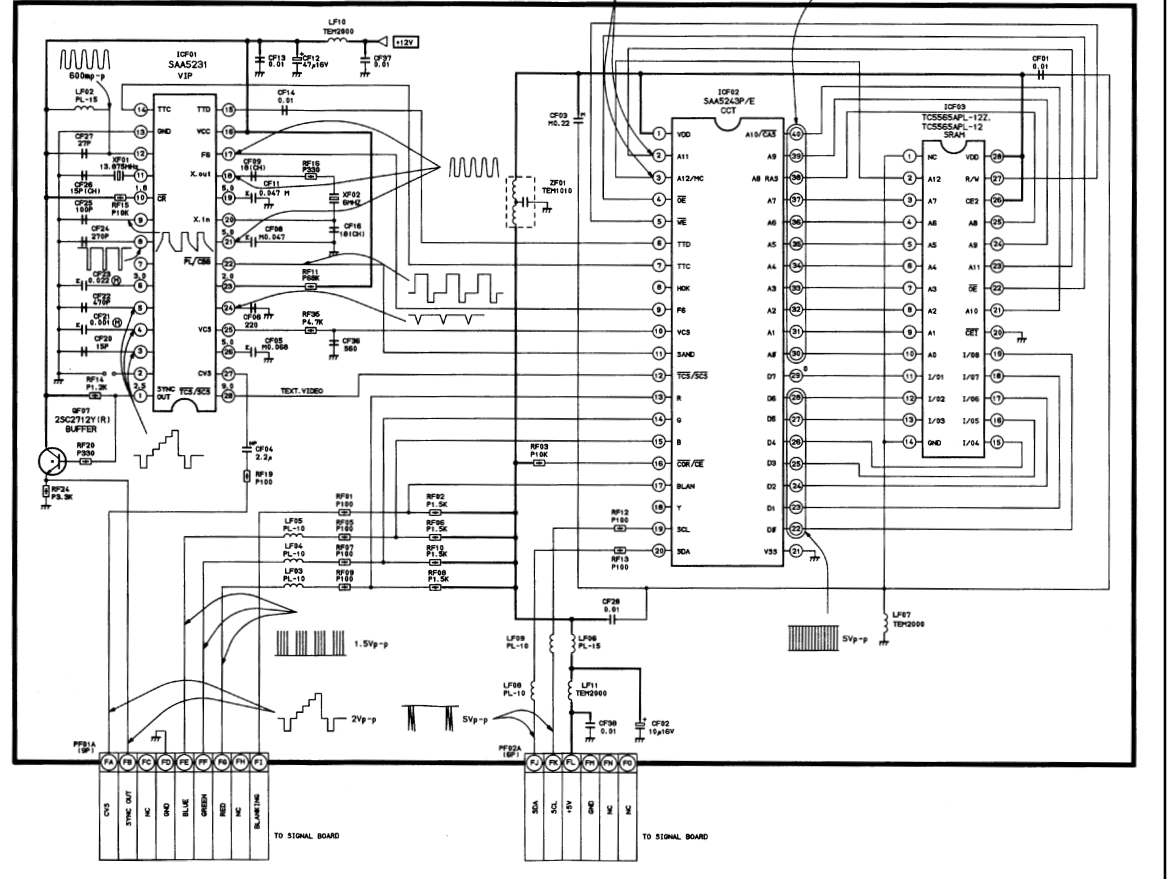
### PIF Diagram

U101 PIF BOARD PB2616



### Text Diagram

UF01 TEXT BOARD PB2619



### Front Diagram

U902B FRONT CONT. AV BOARD PB3779-2 (29") PB4138-2 (33")

