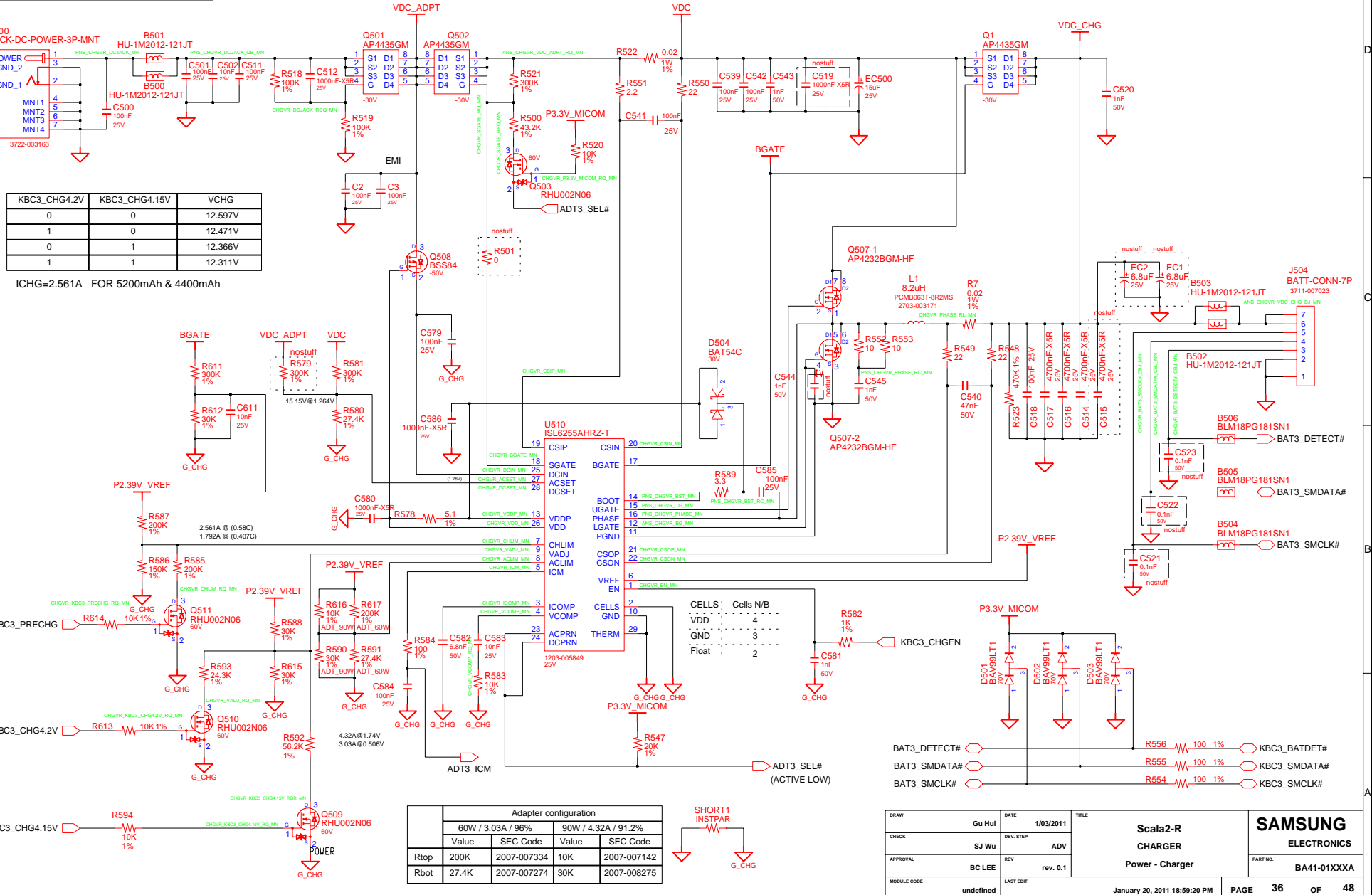


# CHARGER & POWER MANAGEMENT



KBC3_CHG4.2V	KBC3_CHG4.15V	VCHG
0	0	12.597V
1	0	12.471V
0	1	12.366V
1	1	12.311V

ICHG=2.561A FOR 5200mAh & 4400mAh

Adapter configuration				
60W / 3.03A / 96%		90W / 4.32A / 91.2%		
Value	SEC Code	Value	SEC Code	
Rtop	200K	2007-007334	10K	2007-007142
Rbot	27.4K	2007-007274	30K	2007-008275

DRAW	Gu Hui	DATE	1/03/2011	TITLE	Scala2-R	<b>SAMSUNG</b> ELECTRONICS
CHECK	SJ Wu	DEV. STEP	ADV		CHARGER	
APPROVAL	BC LEE	REV	rev. 0.1		Power - Charger	PART NO. BA41-01XXXX
MODULE CODE	undefined	LAST EDIT	January 20, 2011 18:59:20 PM	PAGE	36	OF 48