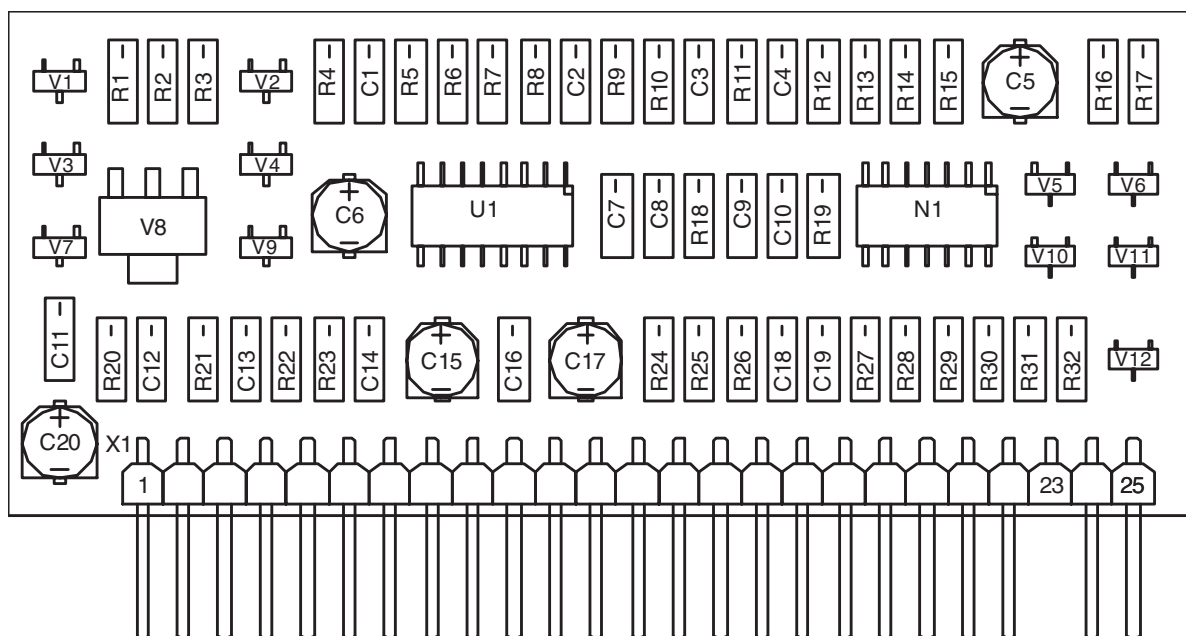
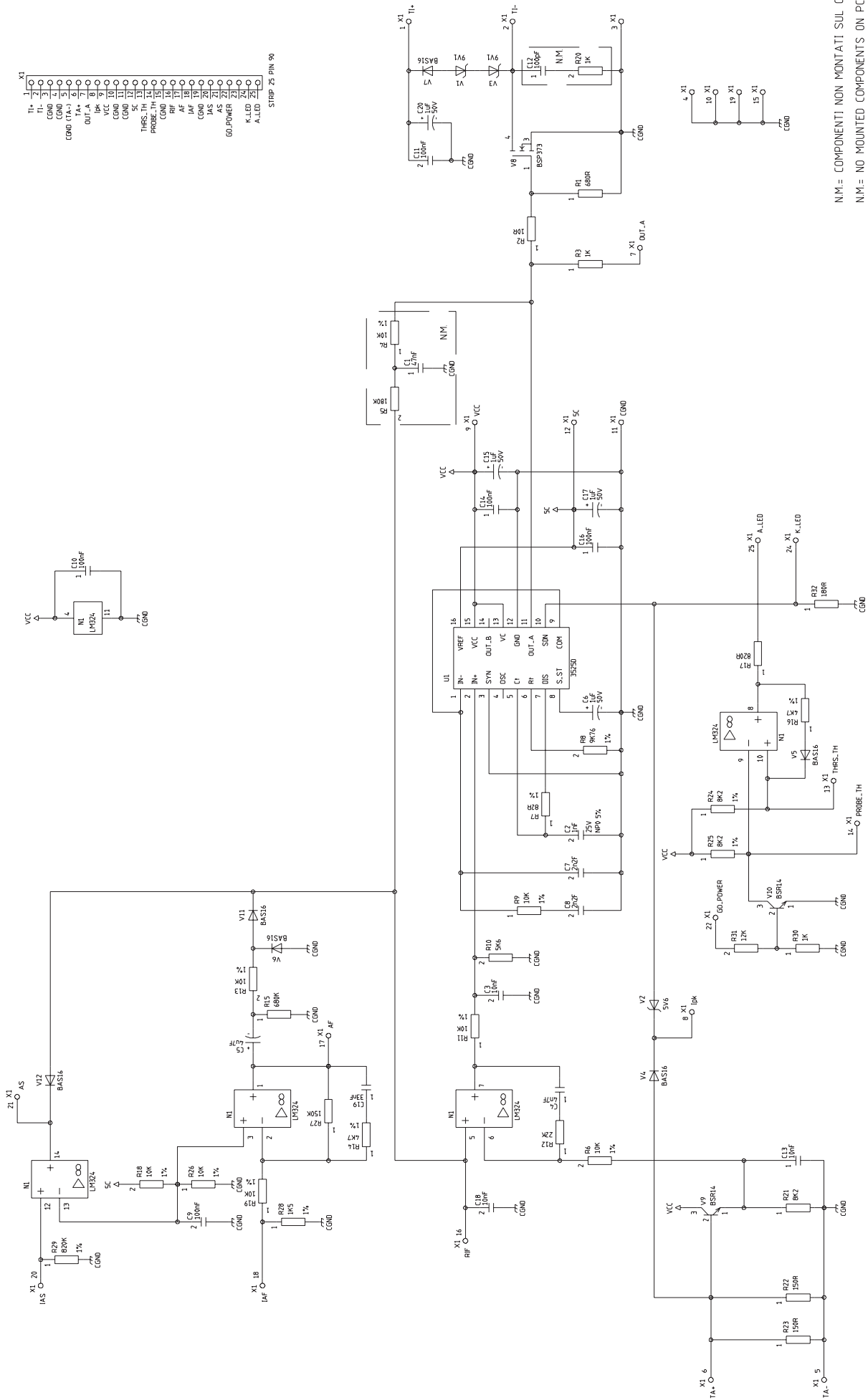


N.M. = COMPONENTI NON MONTATI SUL C.S.  
 N.M. = NO MOUNTED COMPONENTS ON BOARD





1	TA+	1	X1
2	TA-	2	X1
3	TA-	3	X1
4	COND	4	X1
5	COND	5	X1
6	TA+	6	X1
7	OUT_A	7	X1
8	IPK	8	X1
9	VCC	9	X1
10	COND	10	X1
11	COND	11	X1
12	COND	12	X1
13	THRES_TH	13	X1
14	PROBE_TH	14	X1
15	COND	15	X1
16	RIF	16	X1
17	AF	17	X1
18	IAF	18	X1
19	COND	19	X1
20	IAS	20	X1
21	IAS	21	X1
22	GO_POWER	22	X1
23	GO_POWER	23	X1
24	K.LED	24	X1
25	A.LED	25	X1

STRIP 25 PIN 99

NM = COMPONENTI NON MONTATI SUL C.S.  
 NM = NO MOUNTED COMPONENTS ON PCB