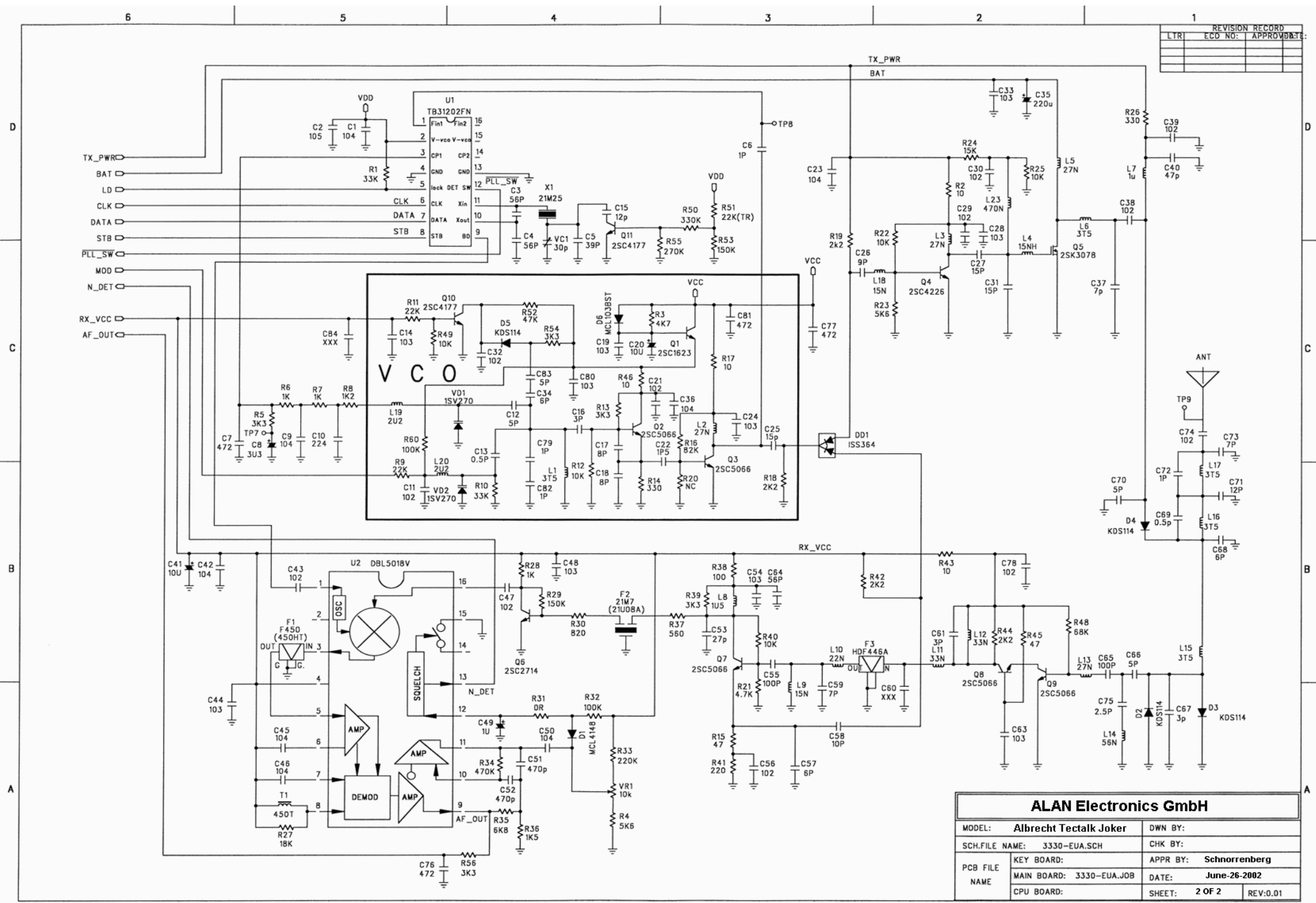


REVISION RECORD		
LTR	ECD NO.	APPROVAL



ALAN Electronics GmbH			
MODEL:	Albrecht Tectalk Joker	DWN BY:	
SCH.FILE NAME:	3330-EUA.SCH	CHK BY:	
PCB FILE NAME:	KEY BOARD:	APPR BY:	Schnorrenberg
	MAIN BOARD: 3330-EUA.JOB	DATE:	June-26-2002
	CPU BOARD:	SHEET:	2 OF 2
		REV:	0.01