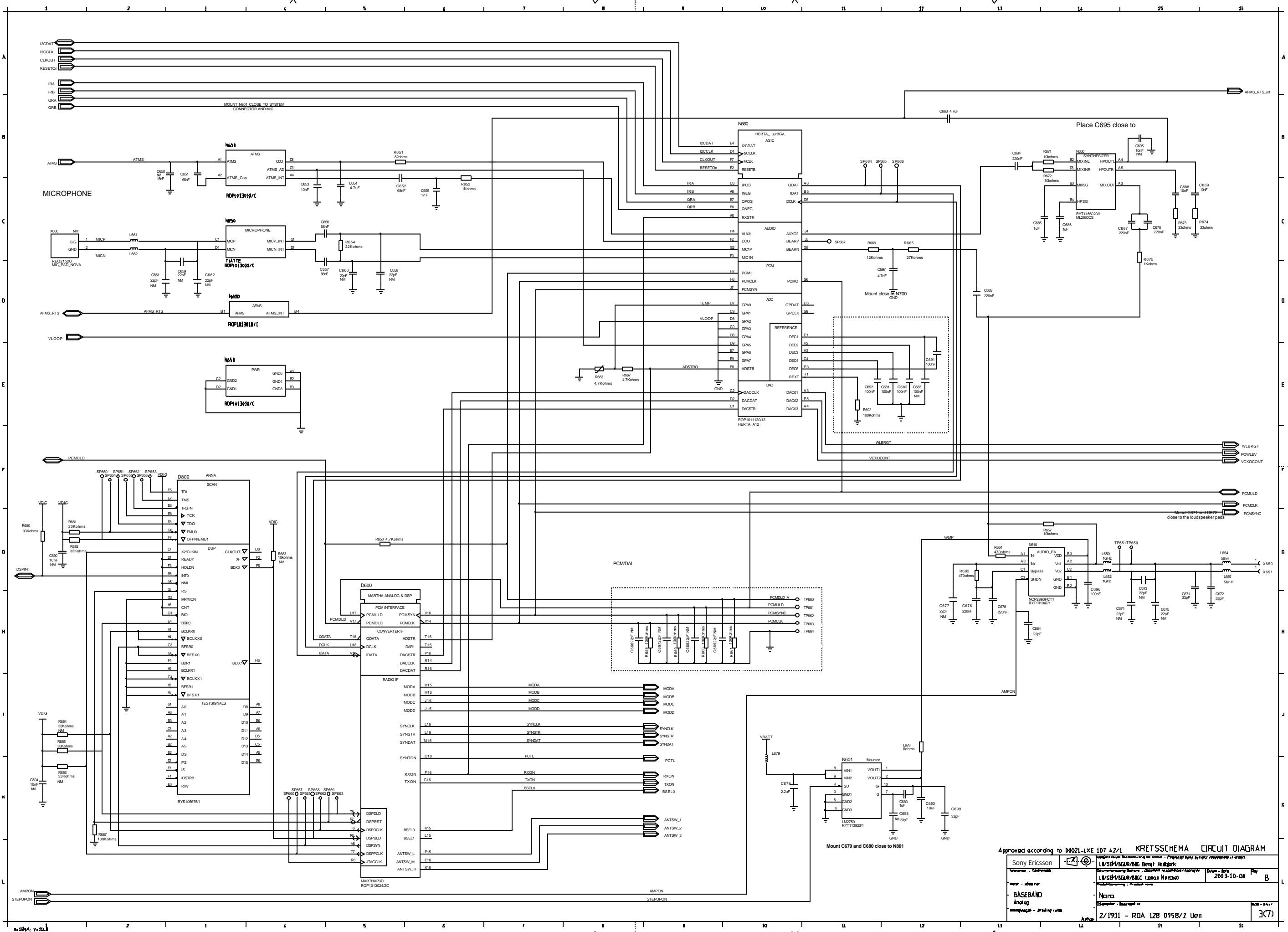


CONNECTION TO D600 D10, CLKOUT & ANACKL TO BE ISOLATED FROM OTHER CIRCUITRY.

Sony Ericsson		Ligand kavn rakassavng an amano - Prepared relas subject responsible if other	
Telefonnummer - Telefonnum		Dokumentnummer/Ligand - Dokument responsible/Approved	Datum - Date
Titel - Title for		Produkt/Produkt - Product name	Rev
BASEBAND		LU/SEM/BGUR/BGUC (John Merckel)	2003-10-08
uP & Memory			B
Antagningar - Design rules		Dokumentnummer - Document nr	
		Z/1911 - ROA 128 9958/2 Uen	Blad - Sheet
			2(7)

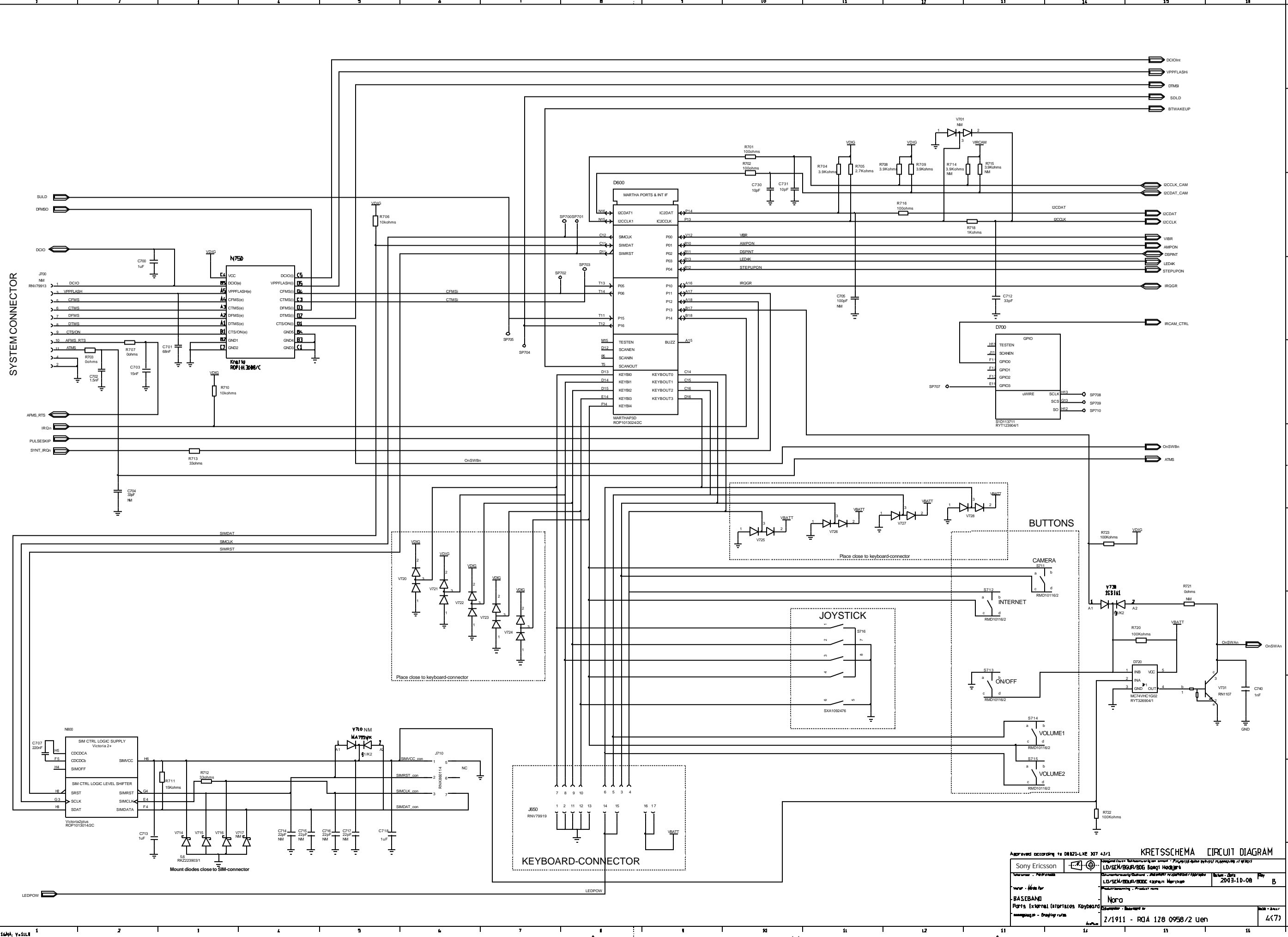
LZF 030 107/F RB



Approved according to D4021-LXE 107 42/1 KRETSCHEMA CIRCUIT DIAGRAM

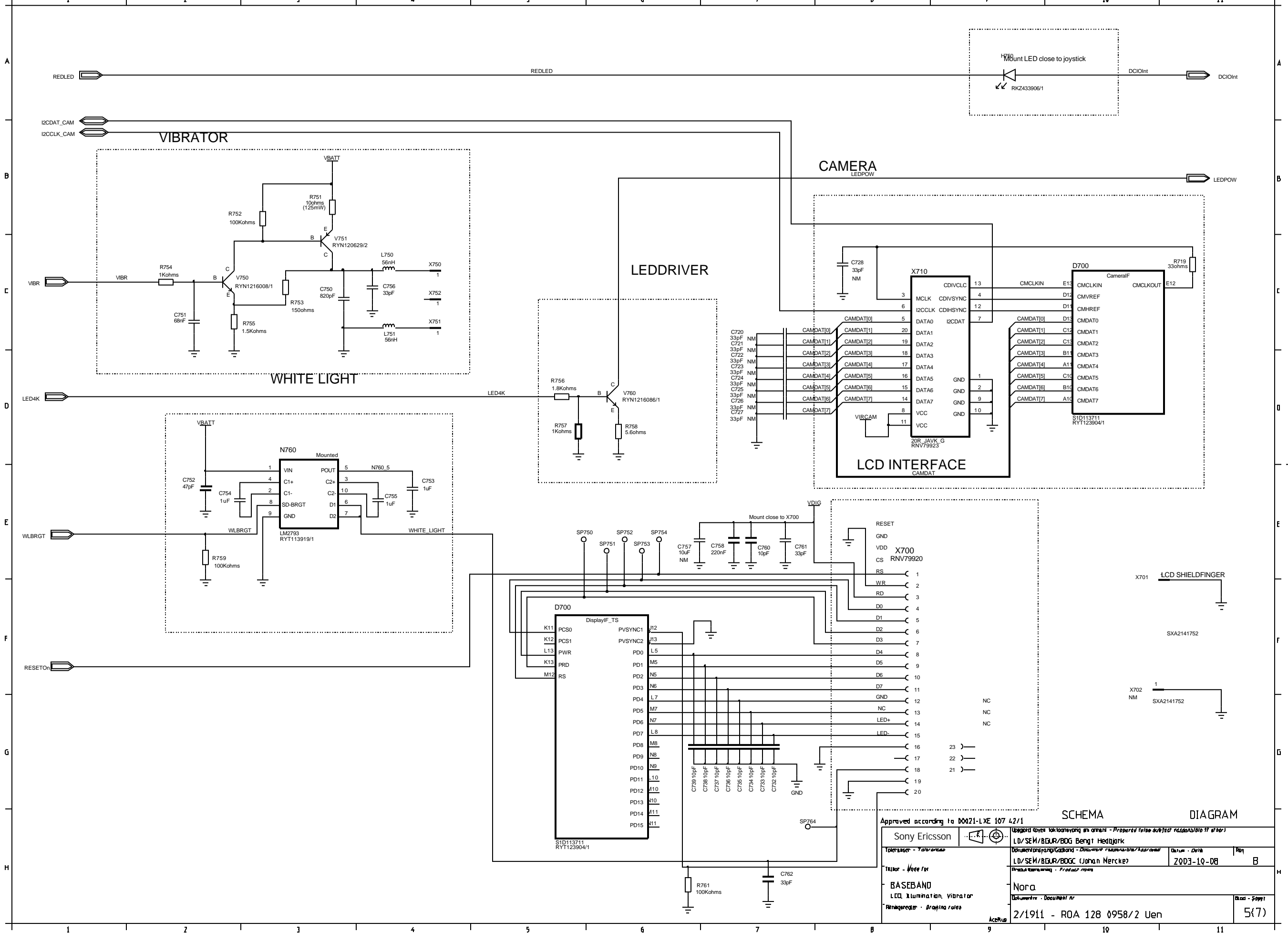
Sony Ericsson	IL/SI/BEUR/BK Bengt Hejlskov	2003-10-08	B
BASEBAND Analog	Nana	Z/1911 - ROA 128 0958/2 Uen	3(7)

LXF 43/4 43/4



KRETSSCHEMA CIRCUIT DIAGRAM	
Approved according to DIN EN 60747-1	
Sony Ericsson	LD/SEN/BGR/BDS Baqi Hadjiri
Author: Baqi Hadjiri	2013-10-08
Designer: Baqi Hadjiri	
Checker: Baqi Hadjiri	
Part: External (Keyboard)	
Package: Drawing (1/1)	
Z/1911 - RQA 128 0958/2 Uen	4(7)

LFP 830 301/F BK

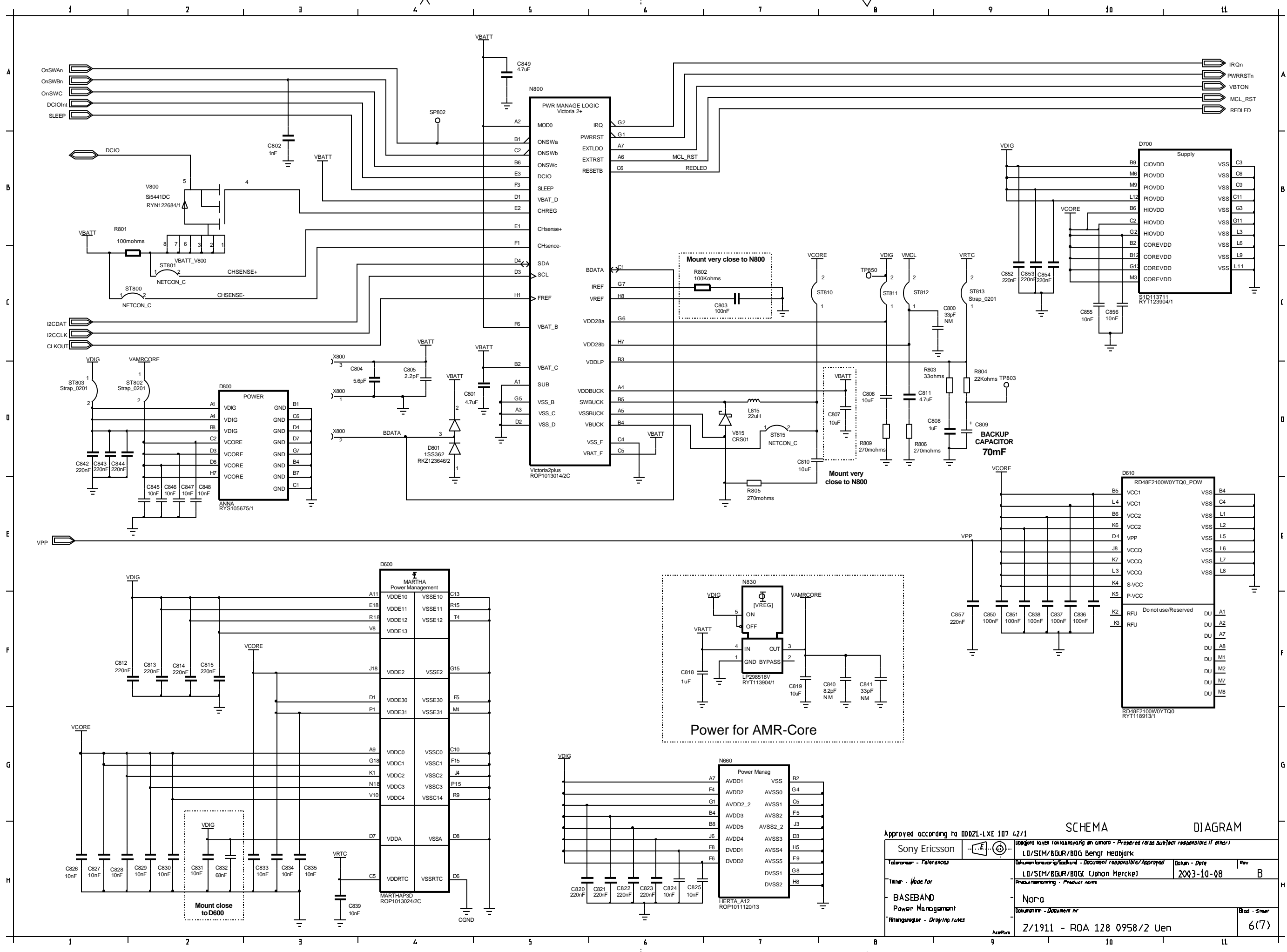


SCHEMA DIAGRAM

Approved according to D0021-LXE 107 42/1

Sony Ericsson		Lid/SEM/BGUR/BDG Bengt Hedström	
Lid/SEM/BGUR/BDG (Johan Nercke)		Date	Rev
2003-10-08		B	
Nora		Doc - Synt	
2/1911 - ROA 128 0958/2 Uen		5(7)	

LZF 030 102/1F RB

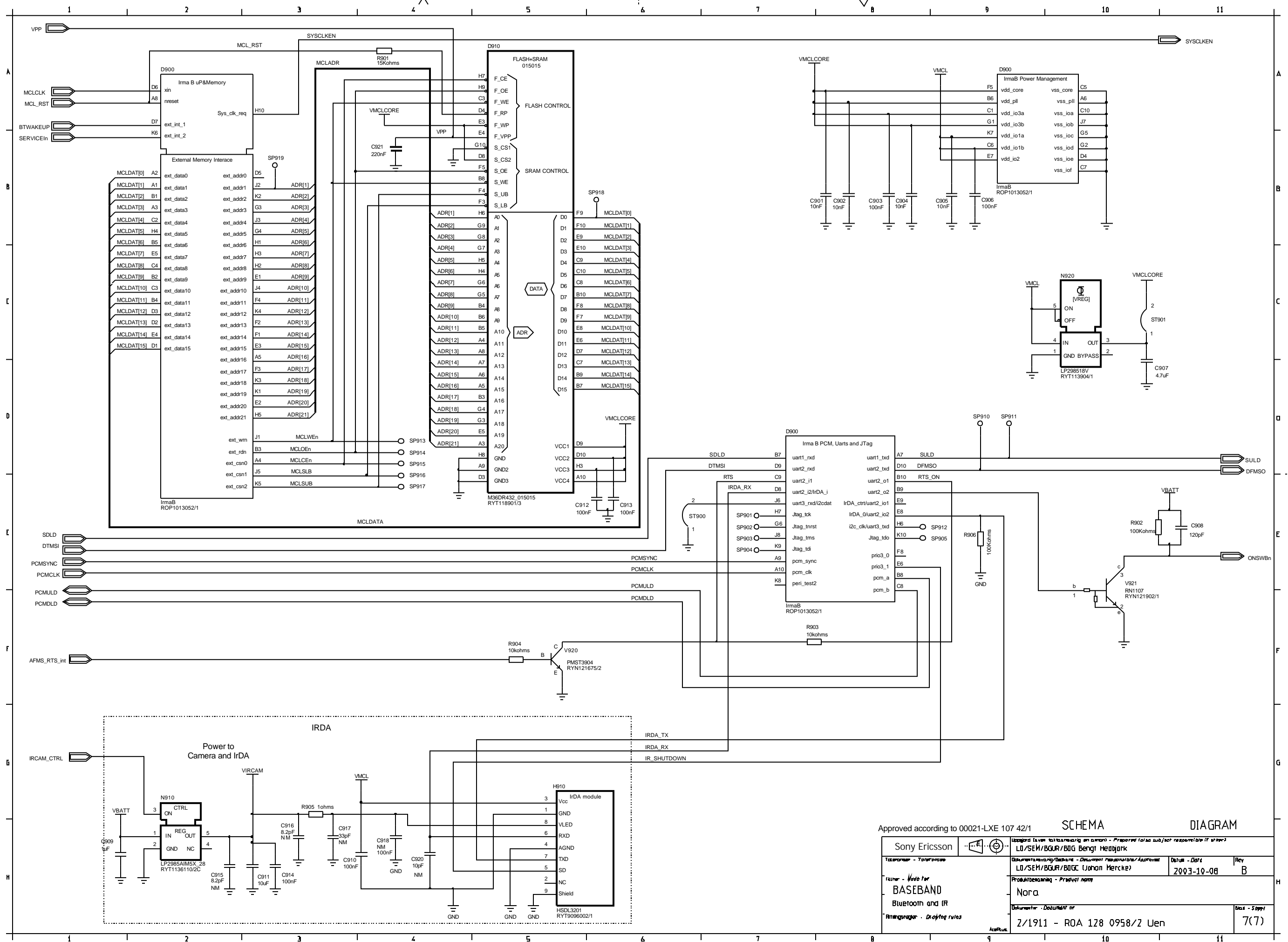


SCHEMA DIAGRAM

Approved according to DD021-LXE 107 42/1

Sony Ericsson	<small>Uspored layer (akuisasi yang an amara - Prepared (also subject) responsible if other)</small>	
<small>Talangan - References</small>	LO/SEM/BDJR/BDG Bengt Hedbjark	<small>Dokumentasi/kehadiran - Document responsibility/Approved</small>
<small>Time - Made for</small>	BASEBAND Power Management	<small>Datum - Date</small> 2003-10-08
<small>Ritingsreglar - Drawing rules</small>	Nora	<small>Rev</small> B
	<small>Dokumentasi - Document nr</small>	<small>Blad - Sheet</small> 6(7)
	Z/1911 - ROA 128 0958/2 Uen	

LZF 030 107/F RB



Approved according to 00021-LXE 107 42/1

SCHEMA **DIAGRAM**

	LO/SEM/BGUR/B0G Bengt Hedjark	Datum - Date 2003-10-08	Rev B
BASEBAND Bluetooth and (R)	Produktbezeichnung - Product name Nora		
2/1911 - ROA 128 0958/2 Uen	Best - Supply 7(7)		

LZF 030 1DZ/F BE