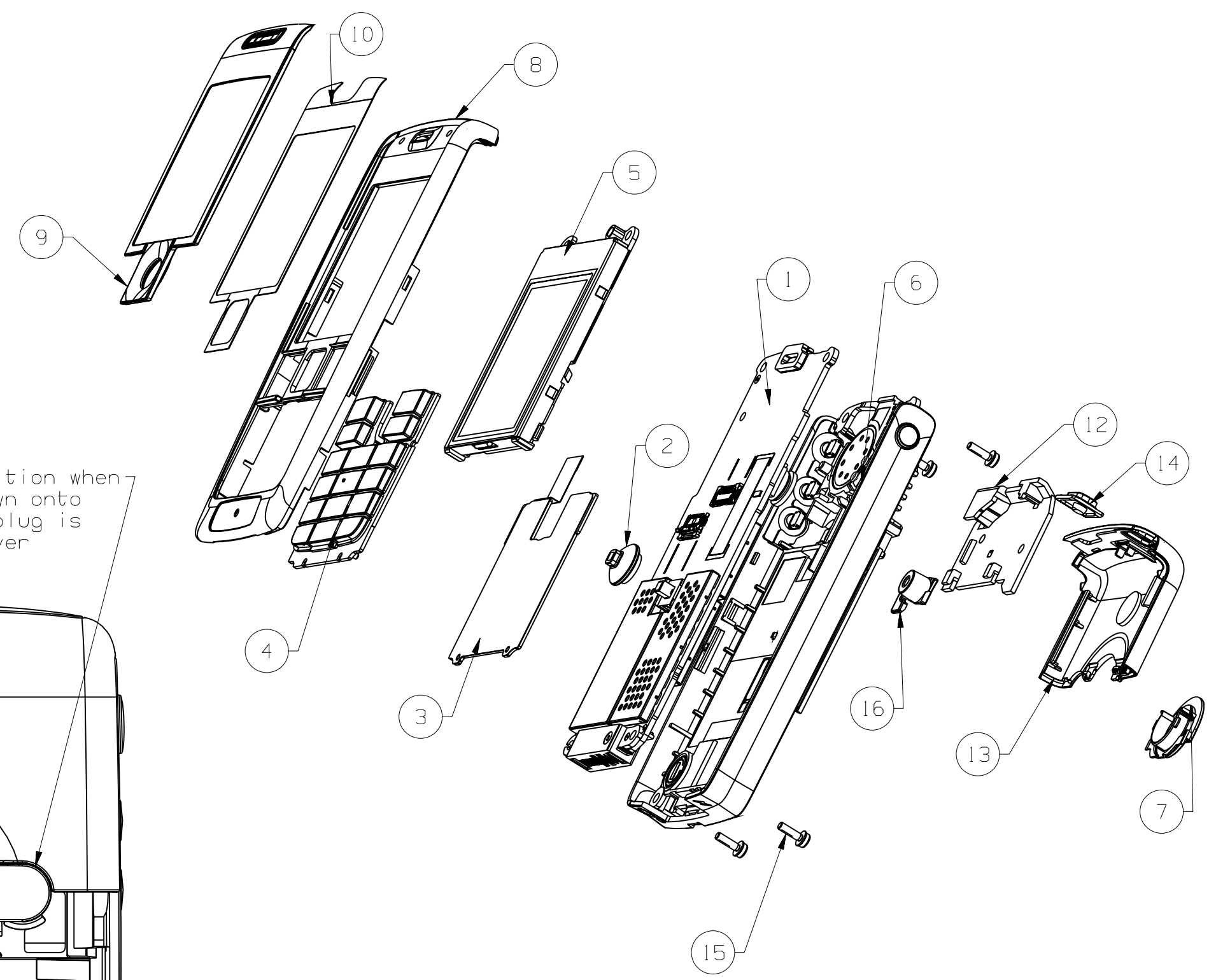
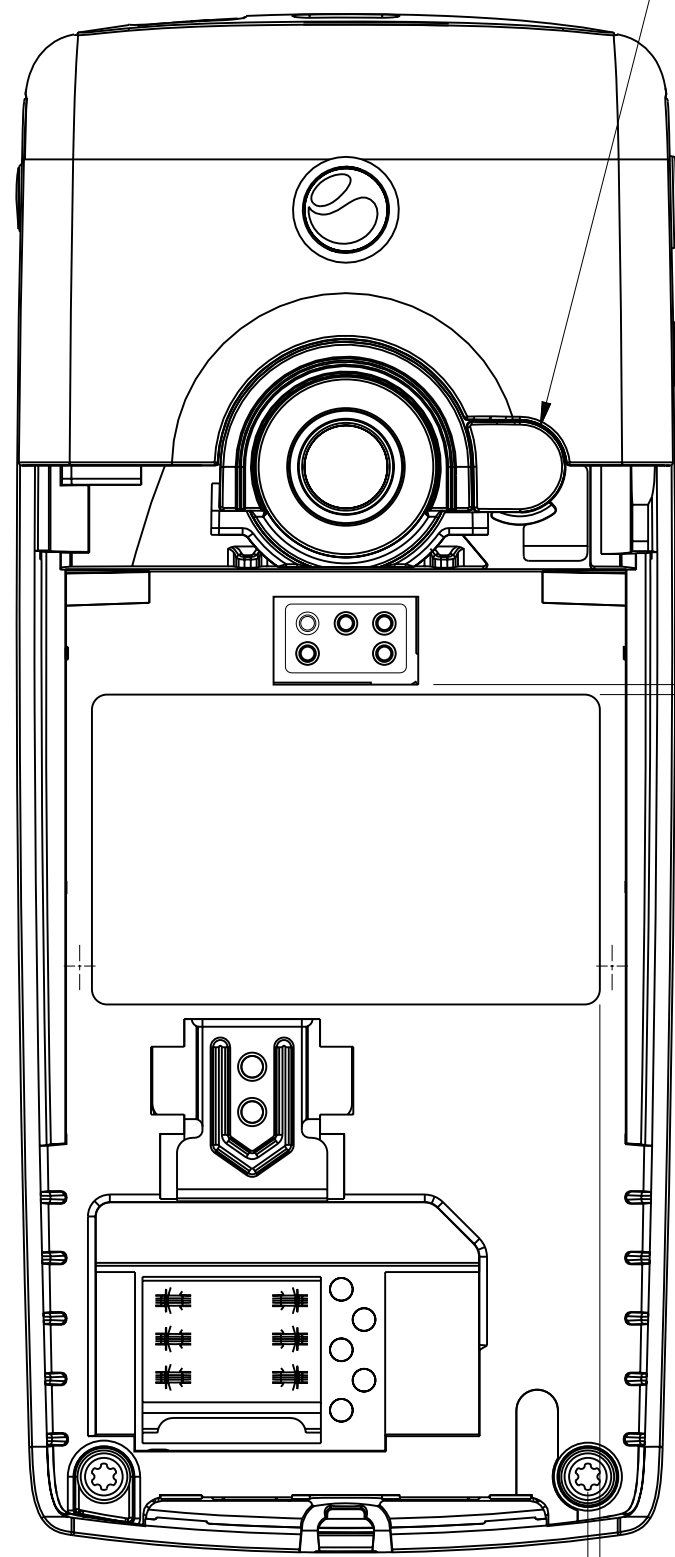
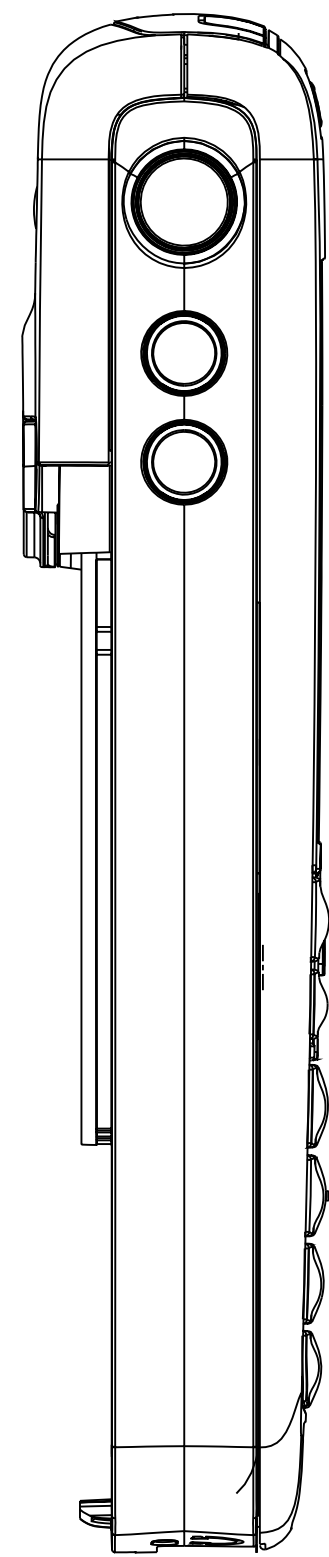
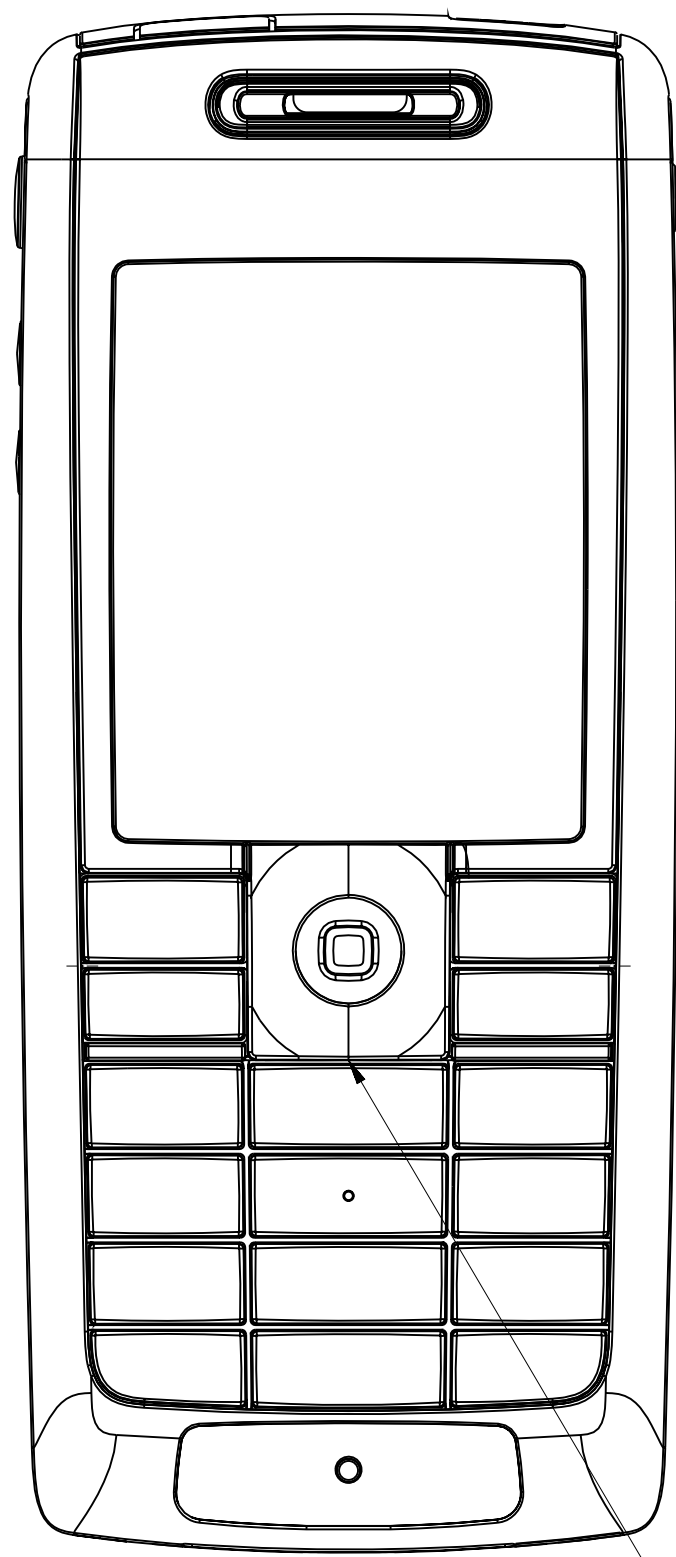
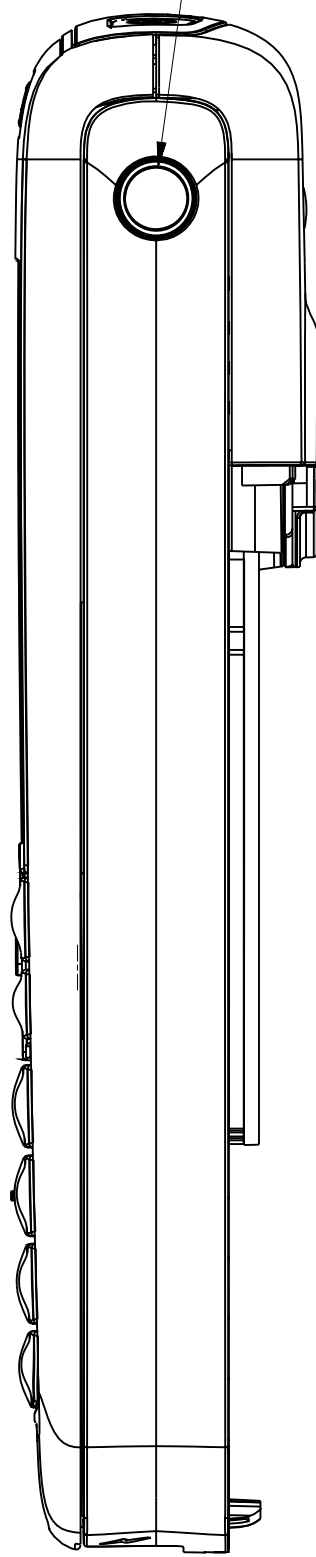


Internet Access Key
click feeling
according to limit samples

The Rubber Plug is in int's right position when
the rubber flange is fully pressed down onto
the Frame and the top surface of the plug is
approximately flush to the Antenna Cover



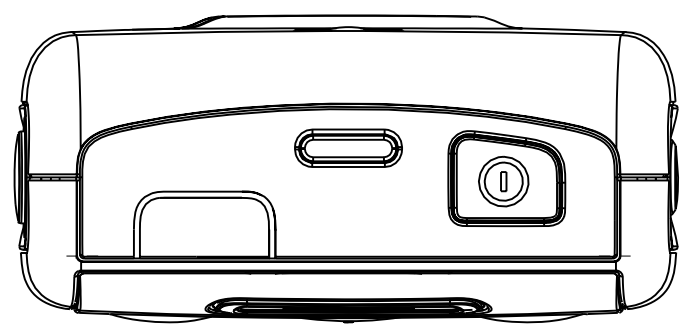
0,66 ±0,5

Torque on all screws 20 Ncm (950 rmp)

Position of KRH label.
The KRH label belongs
to the DPY structure

0,8 ±0,5

The Bezel shall be pressed
down to meet the front housing



Approved according to LXE 00021-LXE 107 42/1

Sony Ericsson		Prepared (Also Subject Responsible if Other)	
Drawing Rules ISO		LD/SEMC/BGURMFN Mats Larsson	responsible/Approved
Tolerance		LD/SEMC/BGURMFNC R.Yone	Date 2003-09-16 A
Reference 13042-krh101109_a.prt		Product Name	
Scale		Core Unit	
Units mm	Size A2	Document No.	She.
		151 88-KRH 101 109 Uen	1 (11)