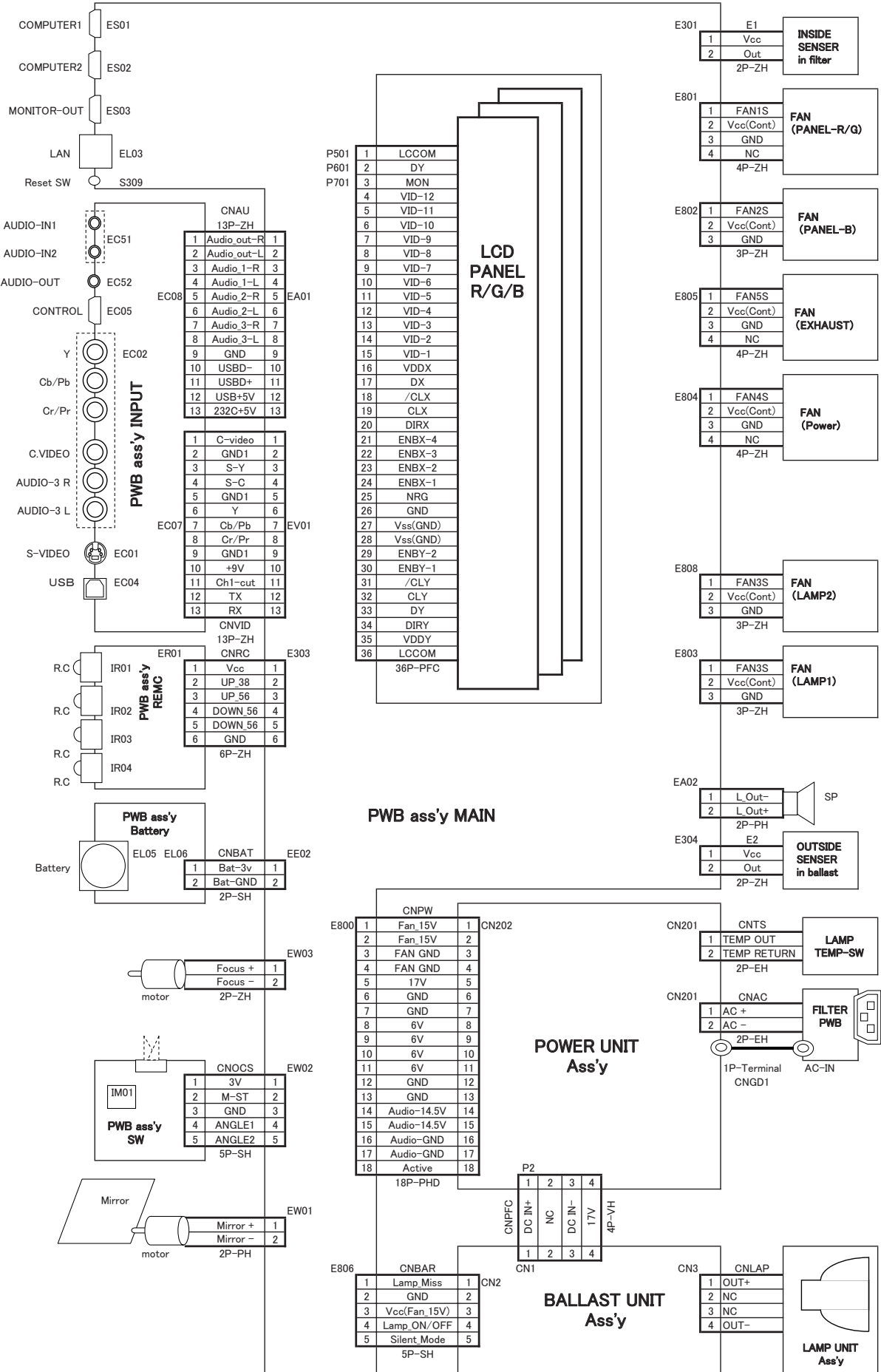


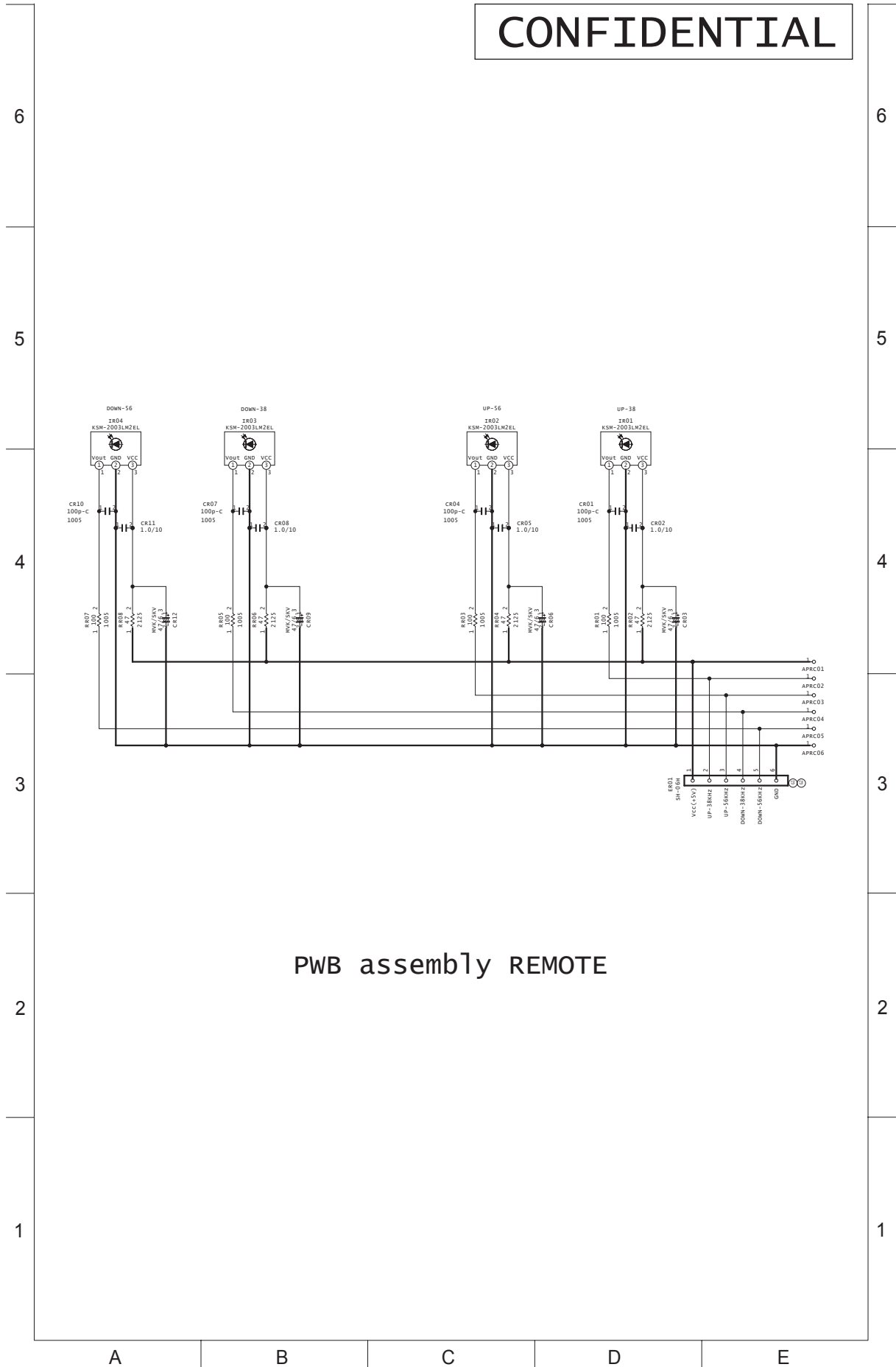
12. Connector connection diagram



13. Basic circuit diagram

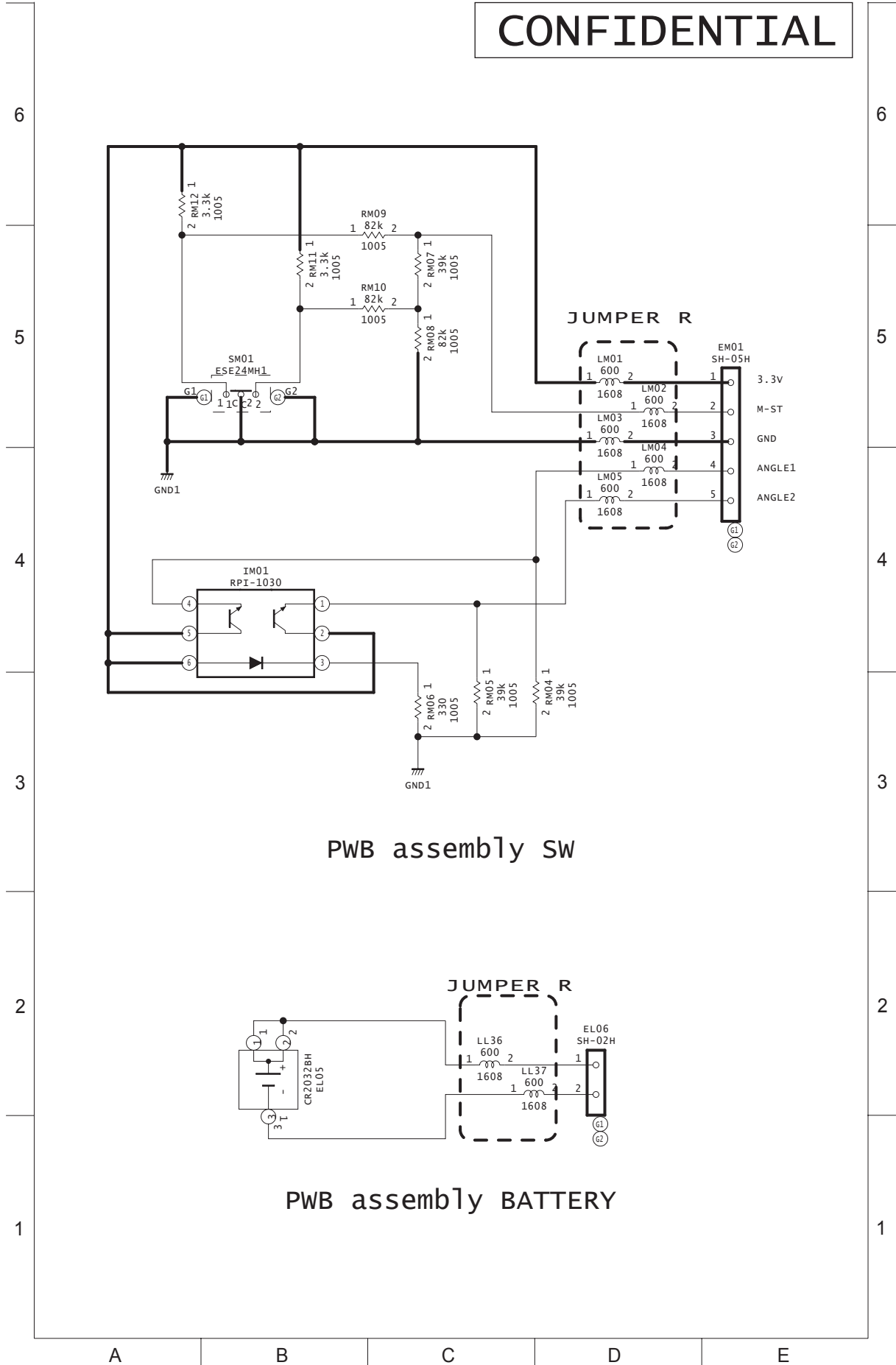
Parts with hatching are not mounted.

CONFIDENTIAL



PWB assembly REMOTE

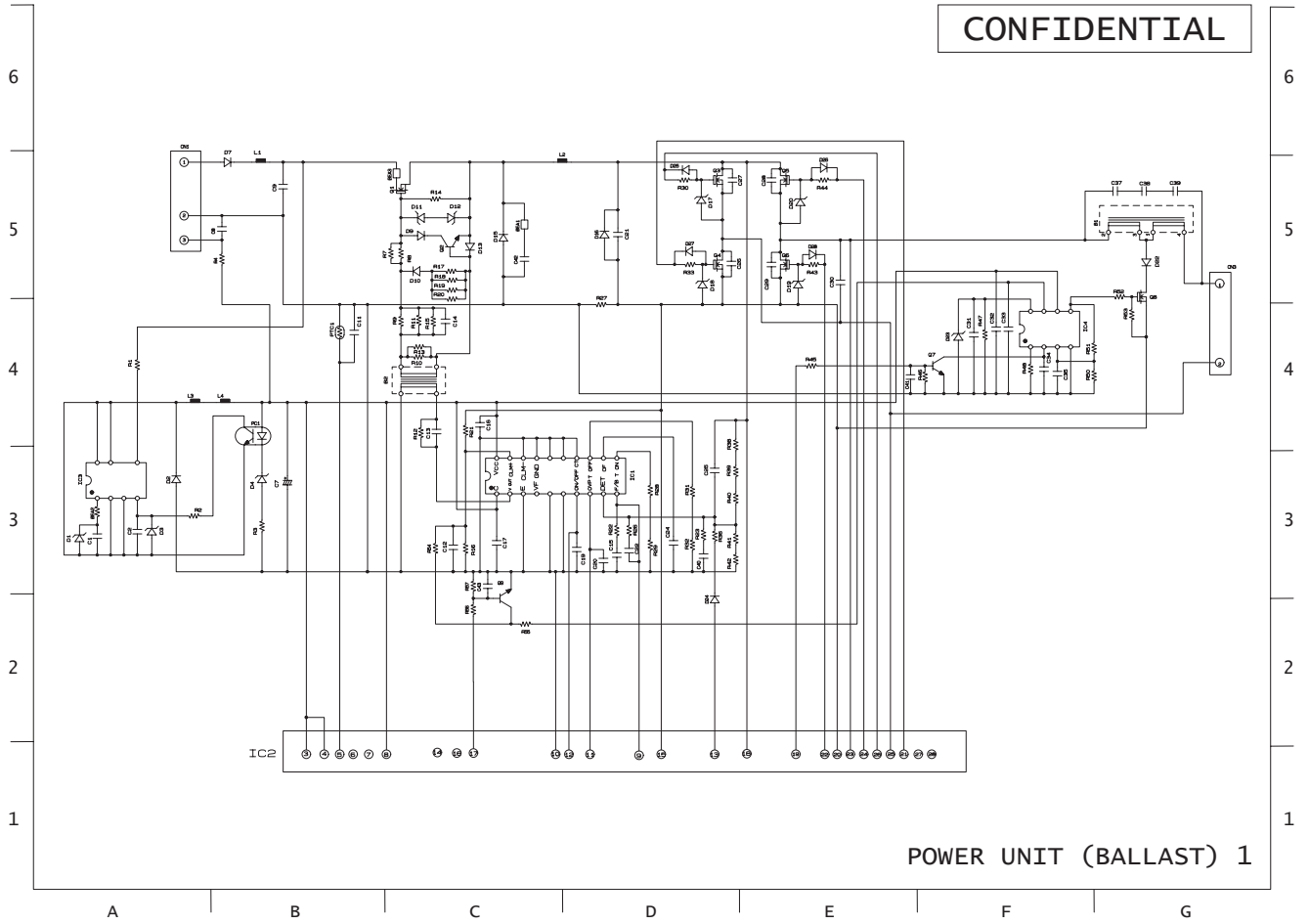
CONFIDENTIAL



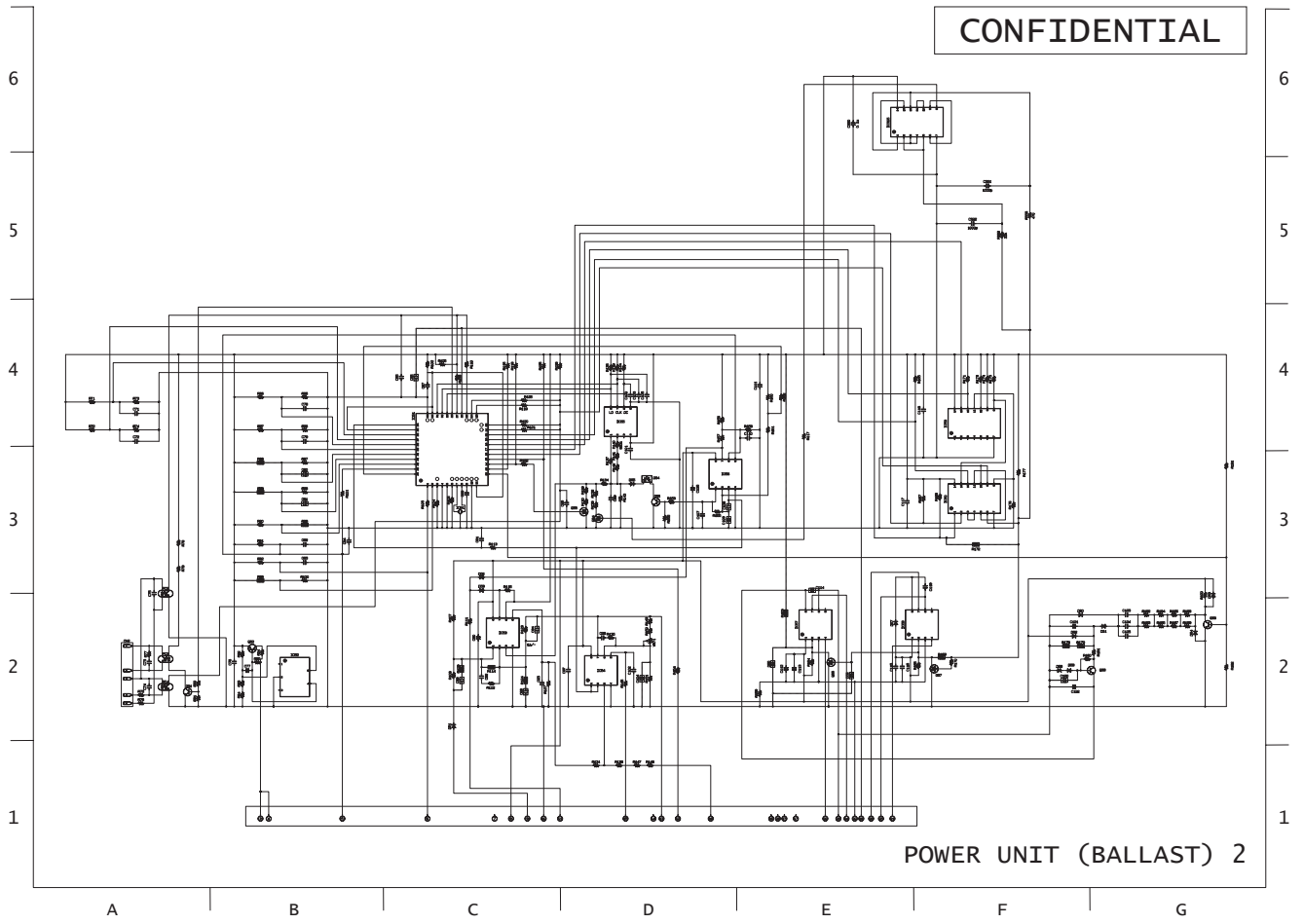
MEMO

CP-A100 / ED-A100 / ED-A110 (A1DN)

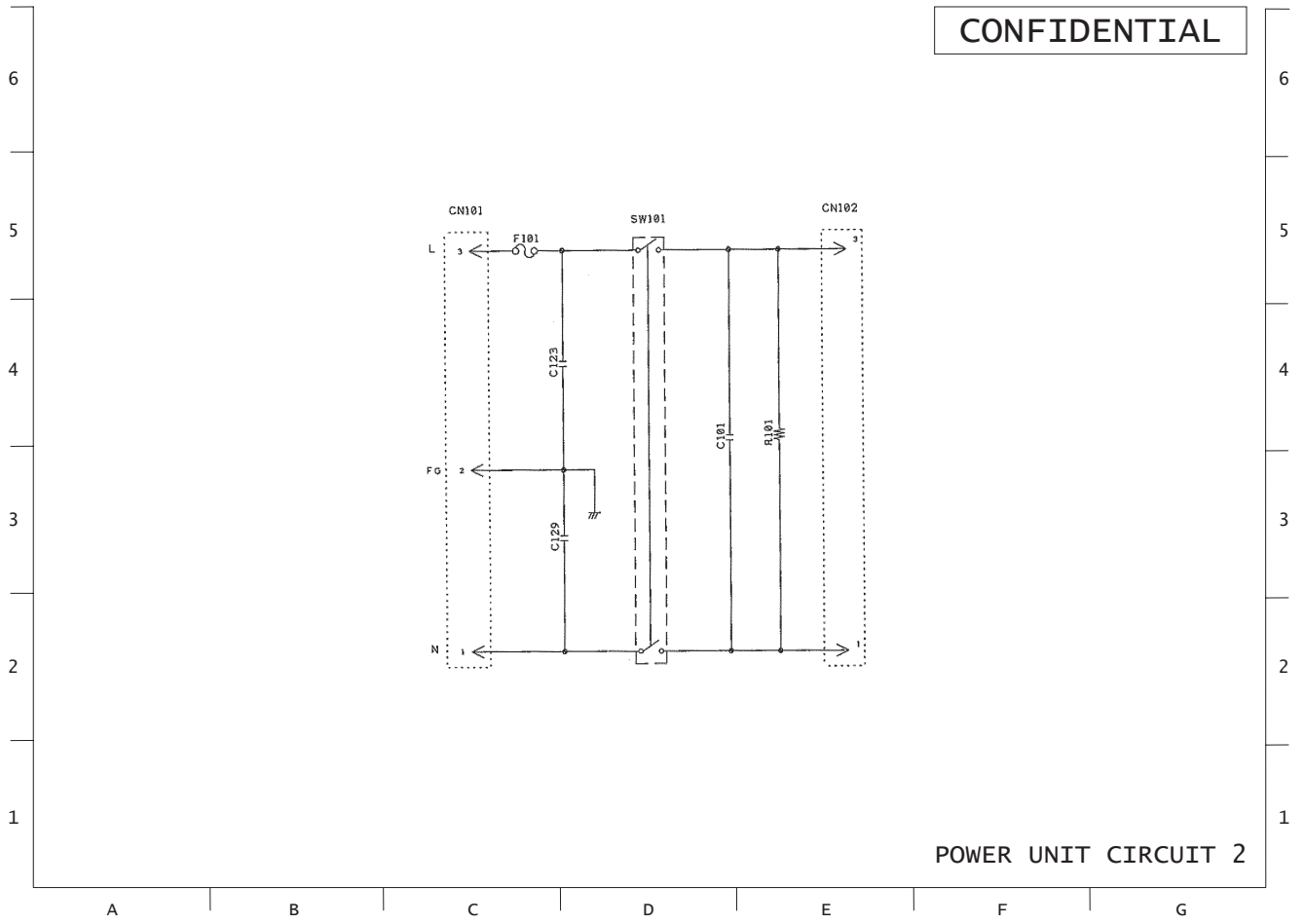
CONFIDENTIAL



CONFIDENTIAL



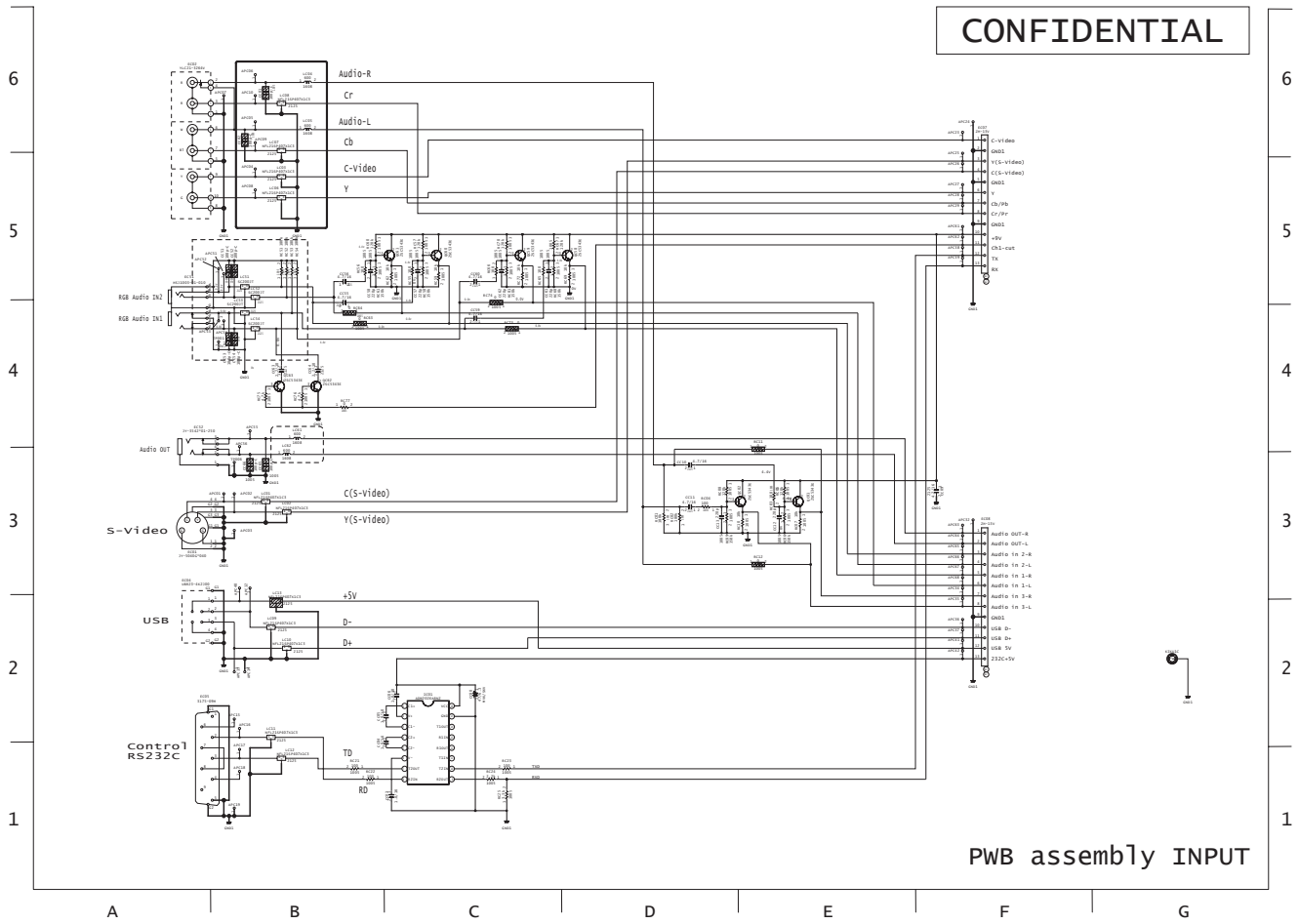
CONFIDENTIAL



POWER UNIT CIRCUIT 2

CP-A100 / ED-A100 / ED-A110 (A1DN)

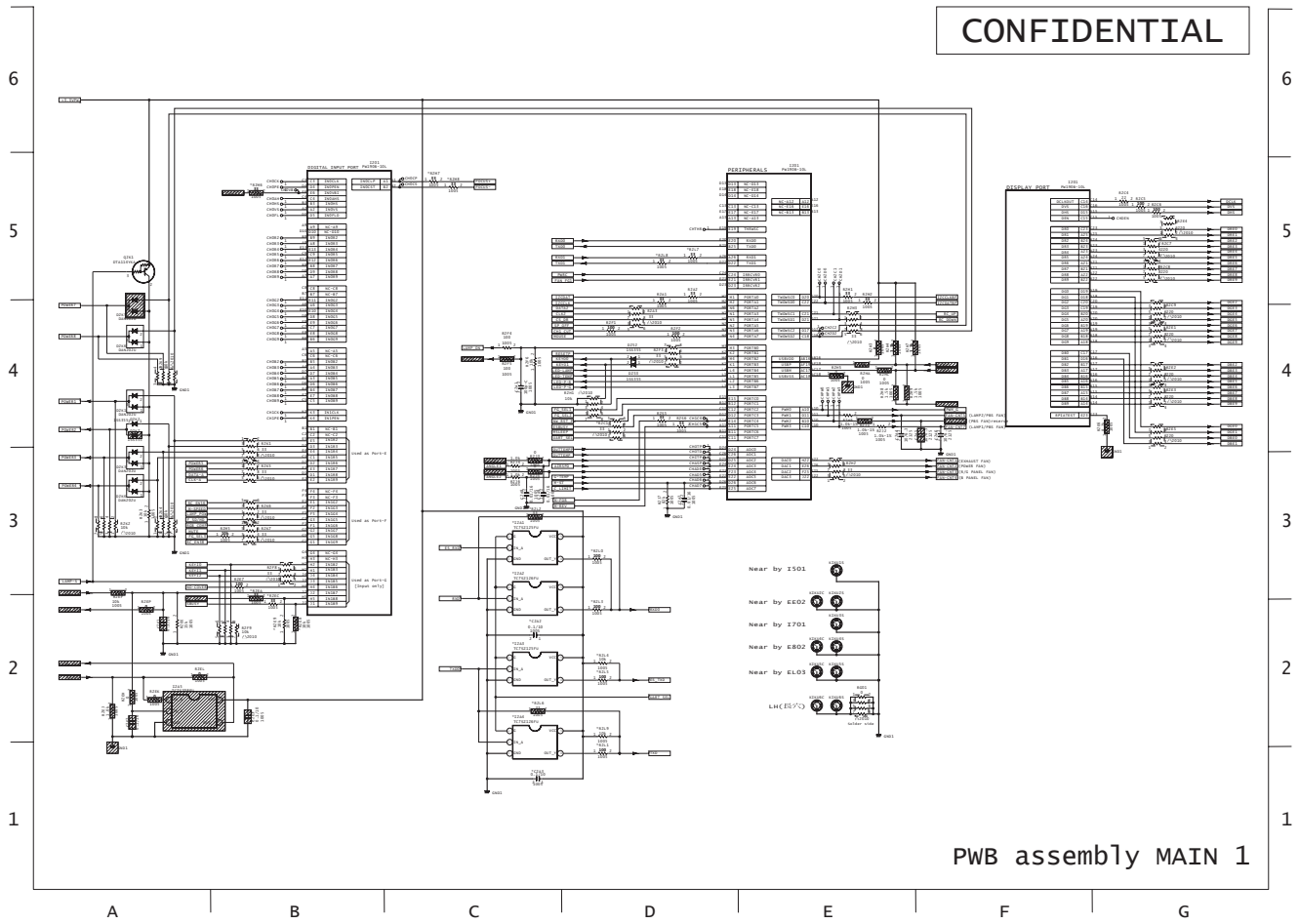
CONFIDENTIAL



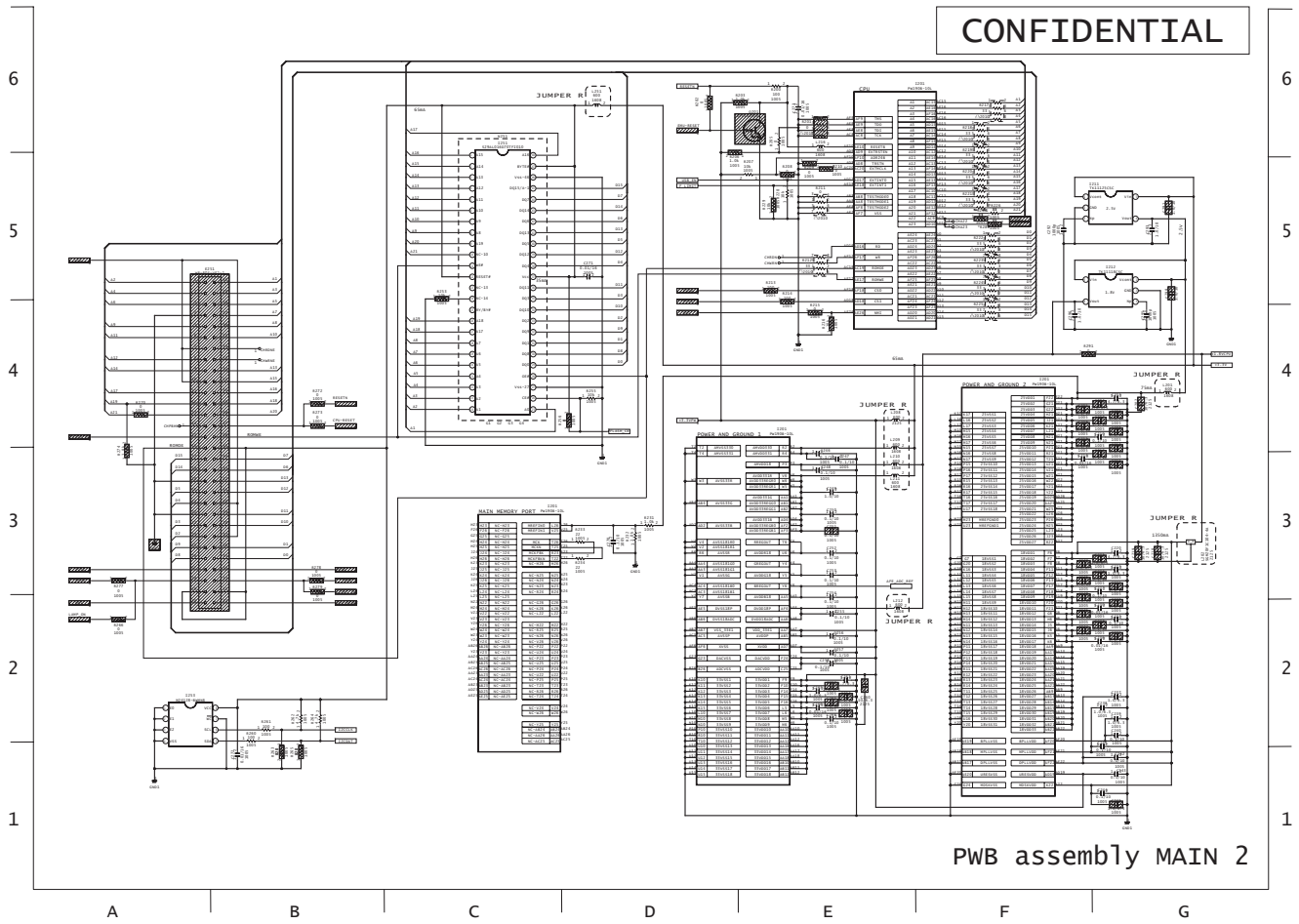
PWB assembly INPUT

CP-A100 / ED-A100 / ED-A110 (A1DN)

CONFIDENTIAL



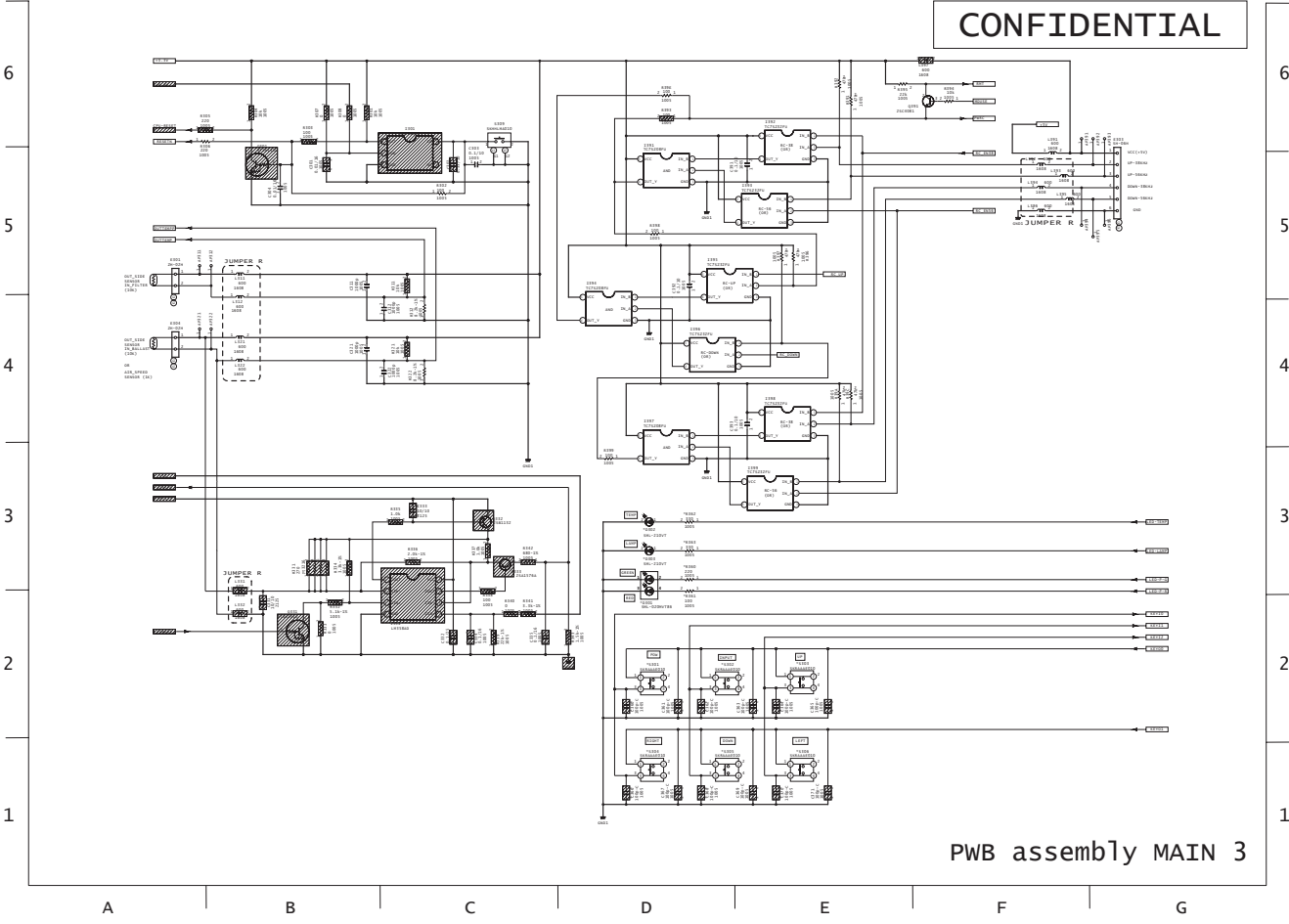
CONFIDENTIAL



PWB assembly MAIN 2

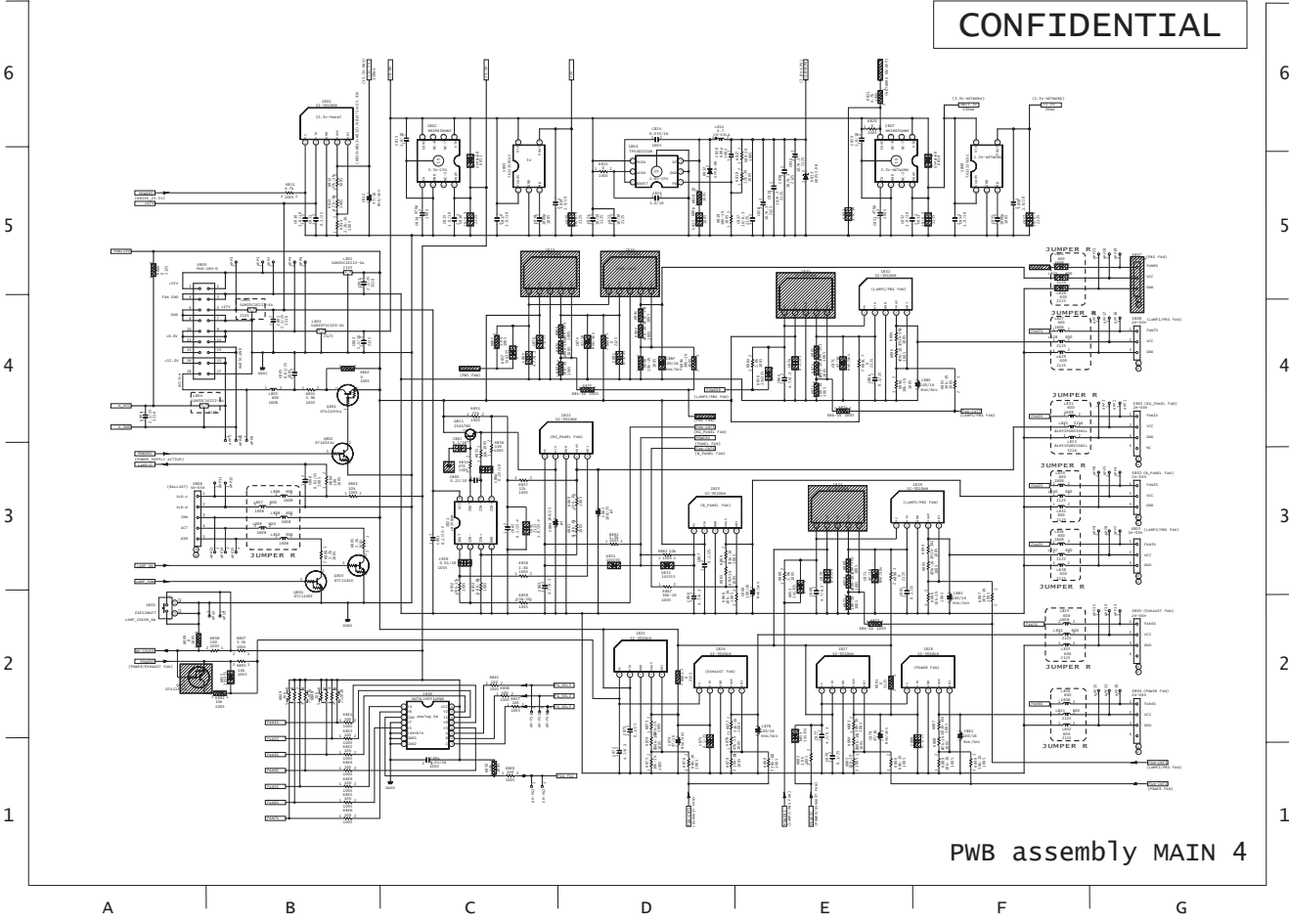
CP-A100 / ED-A100 / ED-A110 (A1DN)

CONFIDENTIAL



PWB assembly MAIN 3

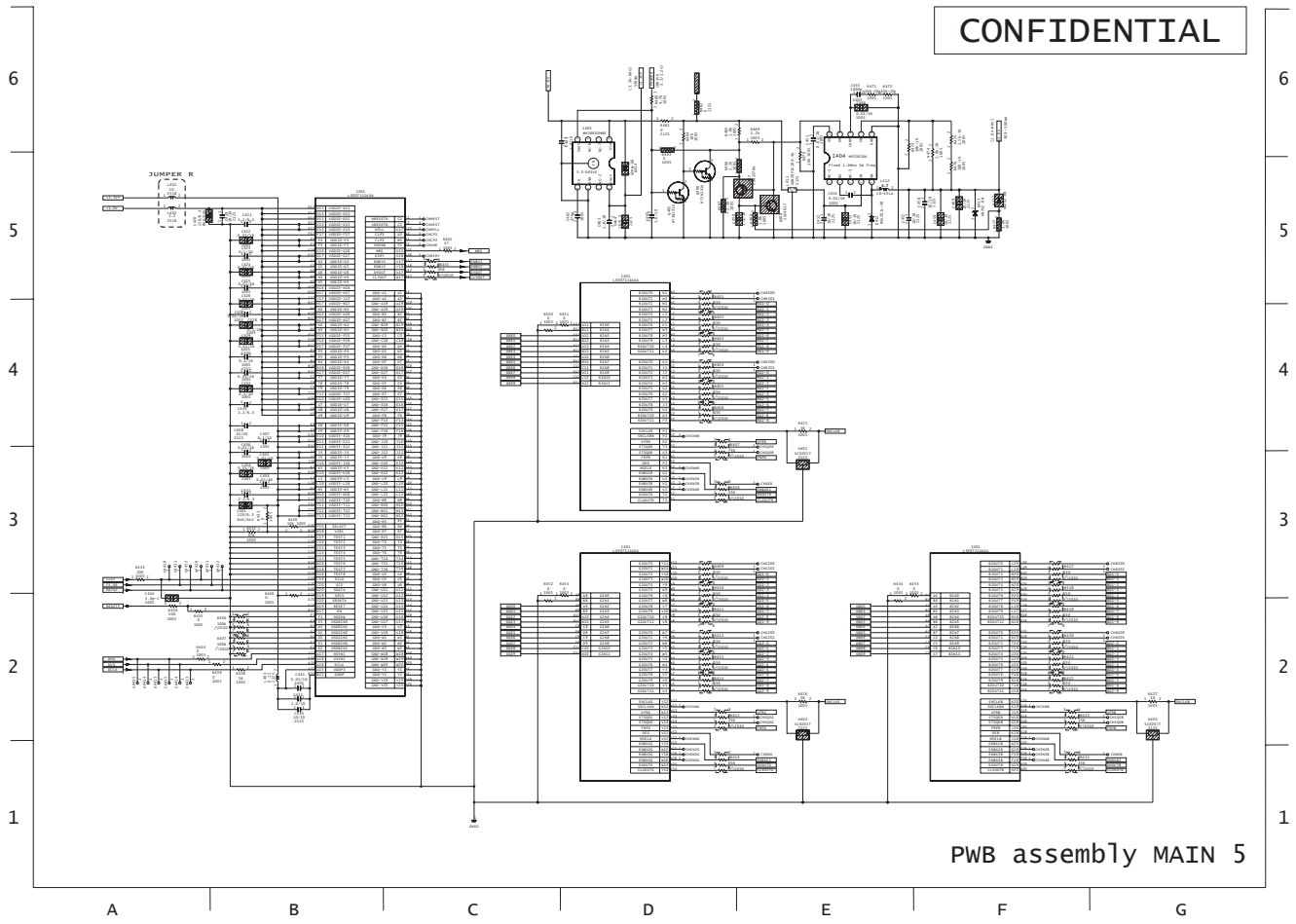
CONFIDENTIAL



PWB assembly MAIN 4

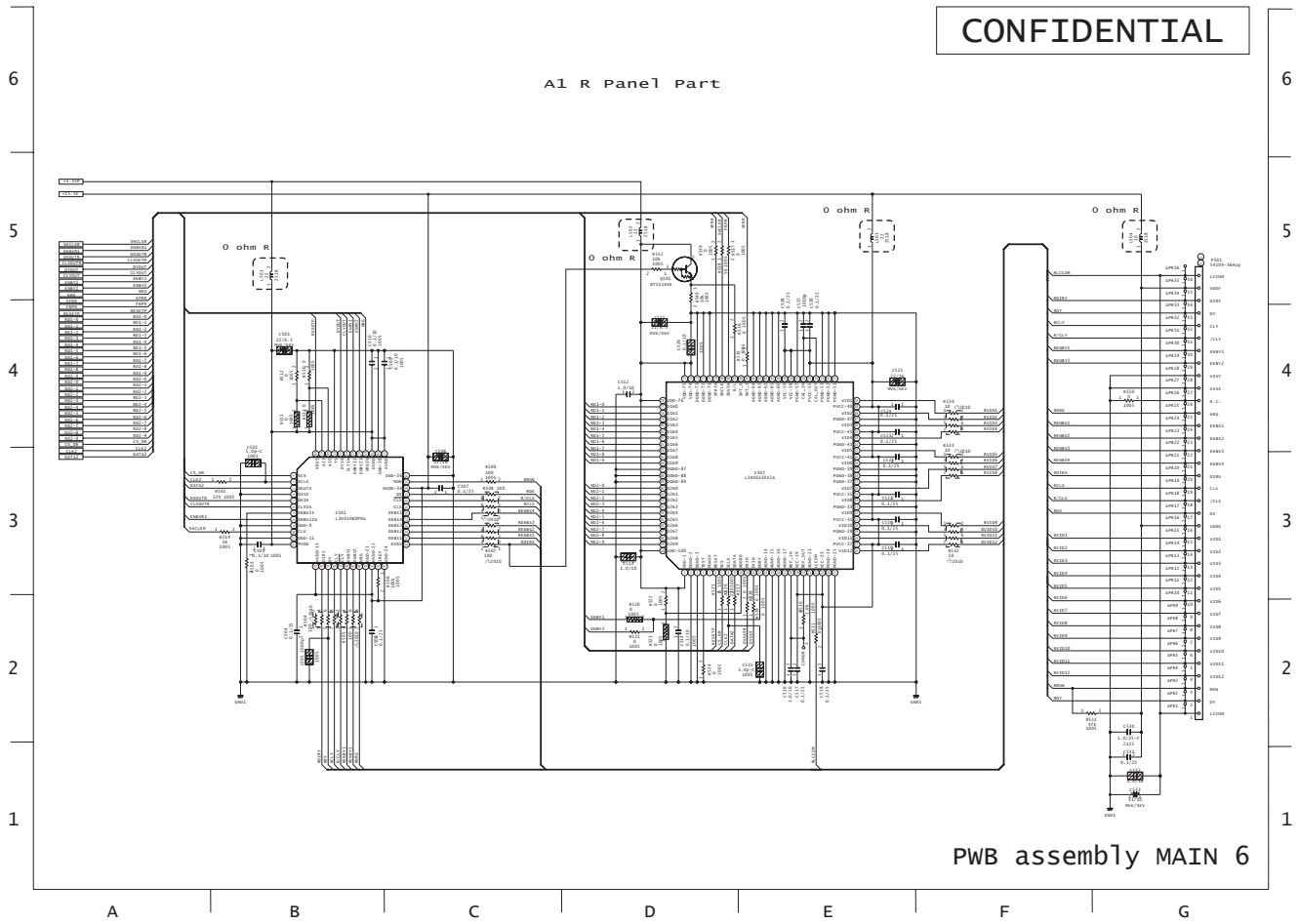
CP-A100 / ED-A100 / ED-A110 (A1DN)

CONFIDENTIAL



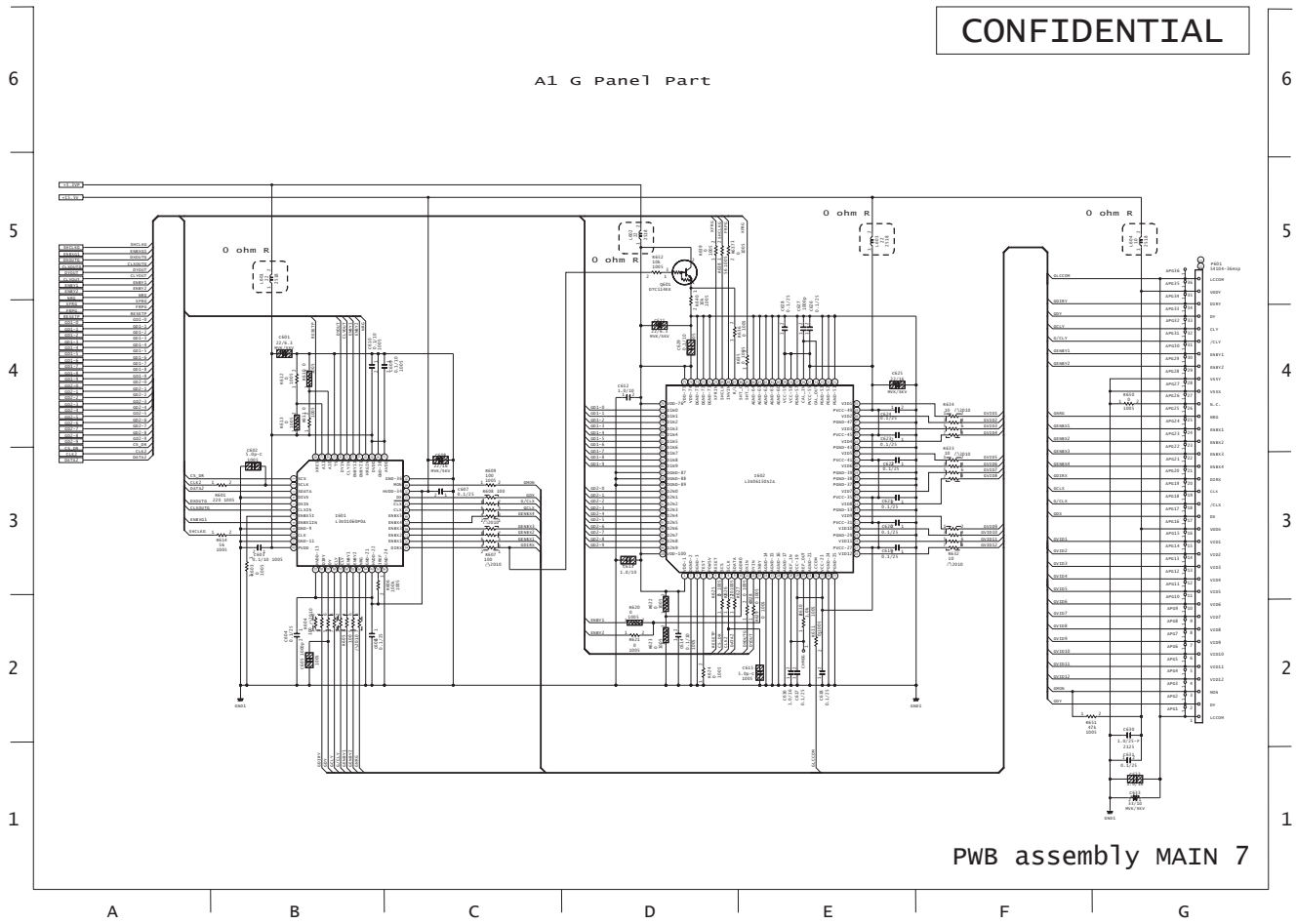
CONFIDENTIAL

A1 R Panel Part



CONFIDENTIAL

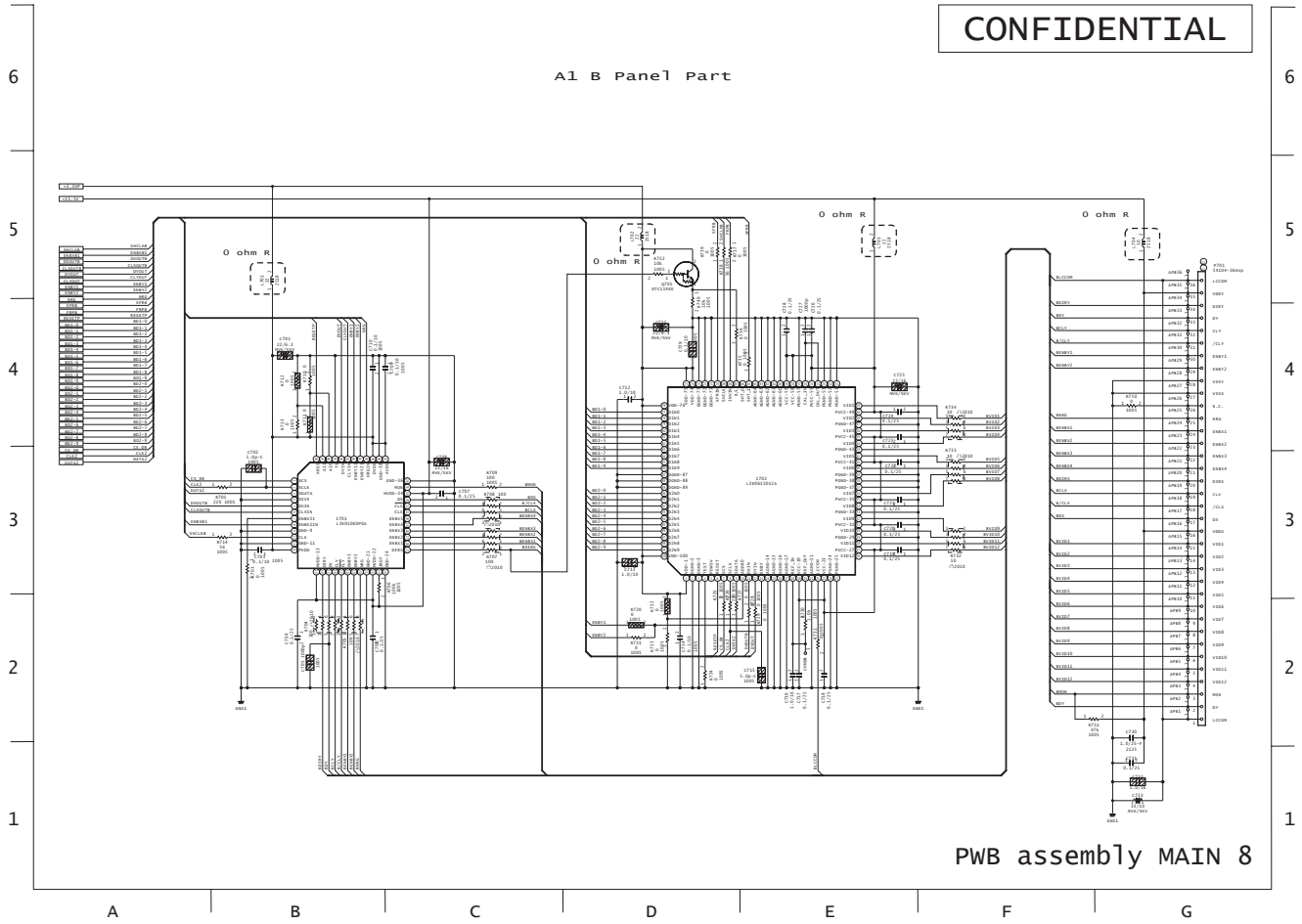
A1 G Panel Part



PWB assembly MAIN 7

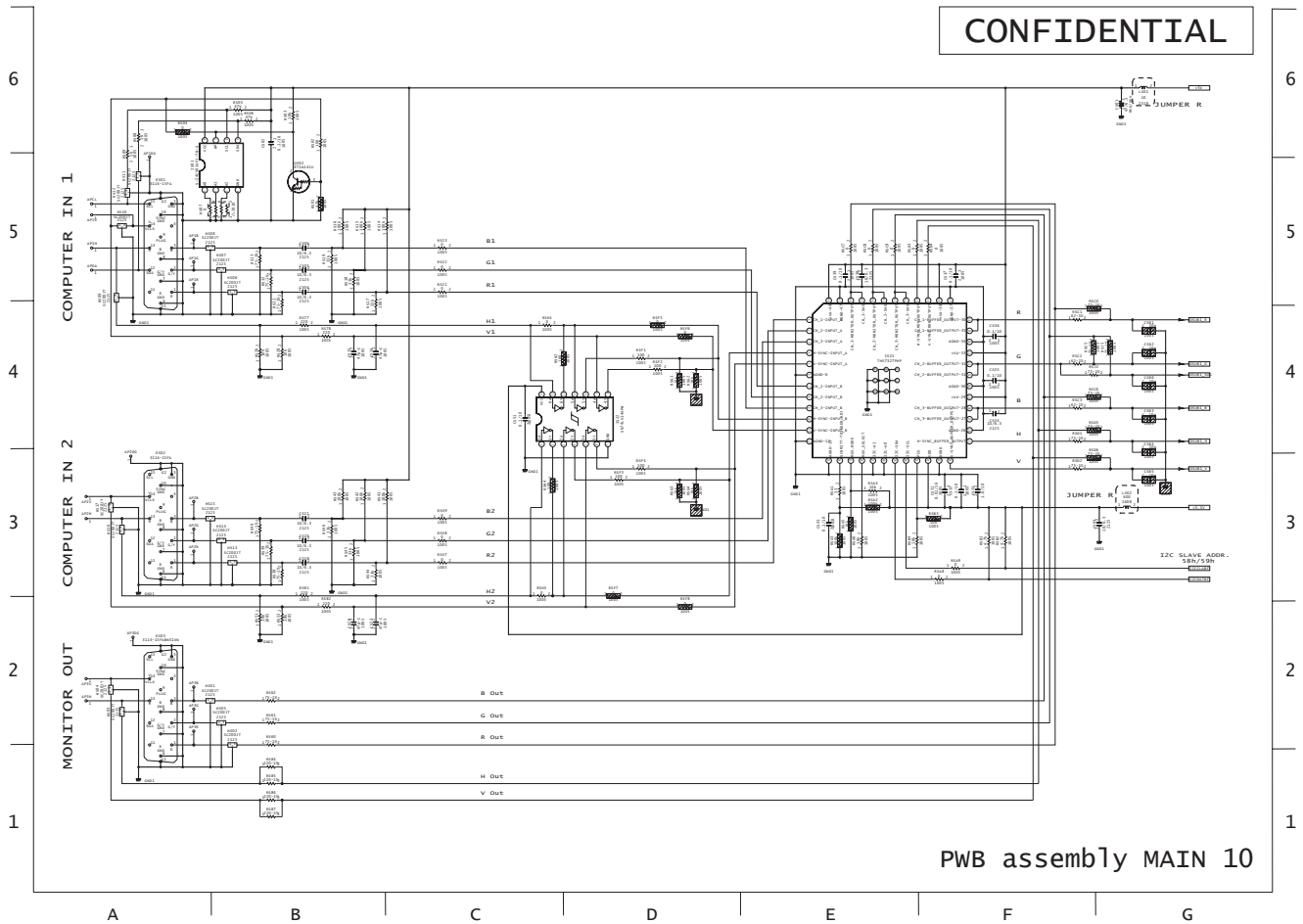
CONFIDENTIAL

A1 B Panel Part



PWB assembly MAIN 8

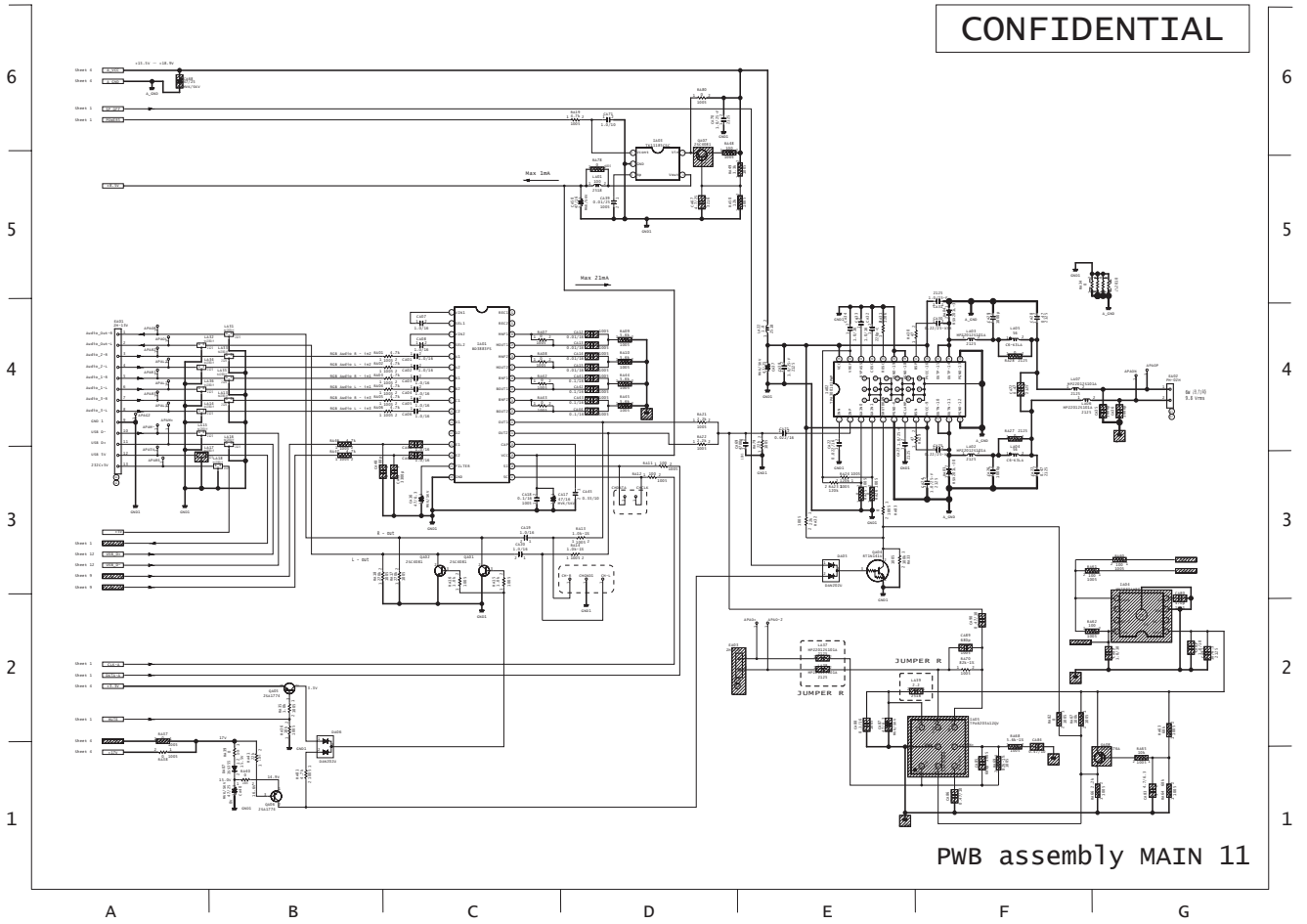
CONFIDENTIAL



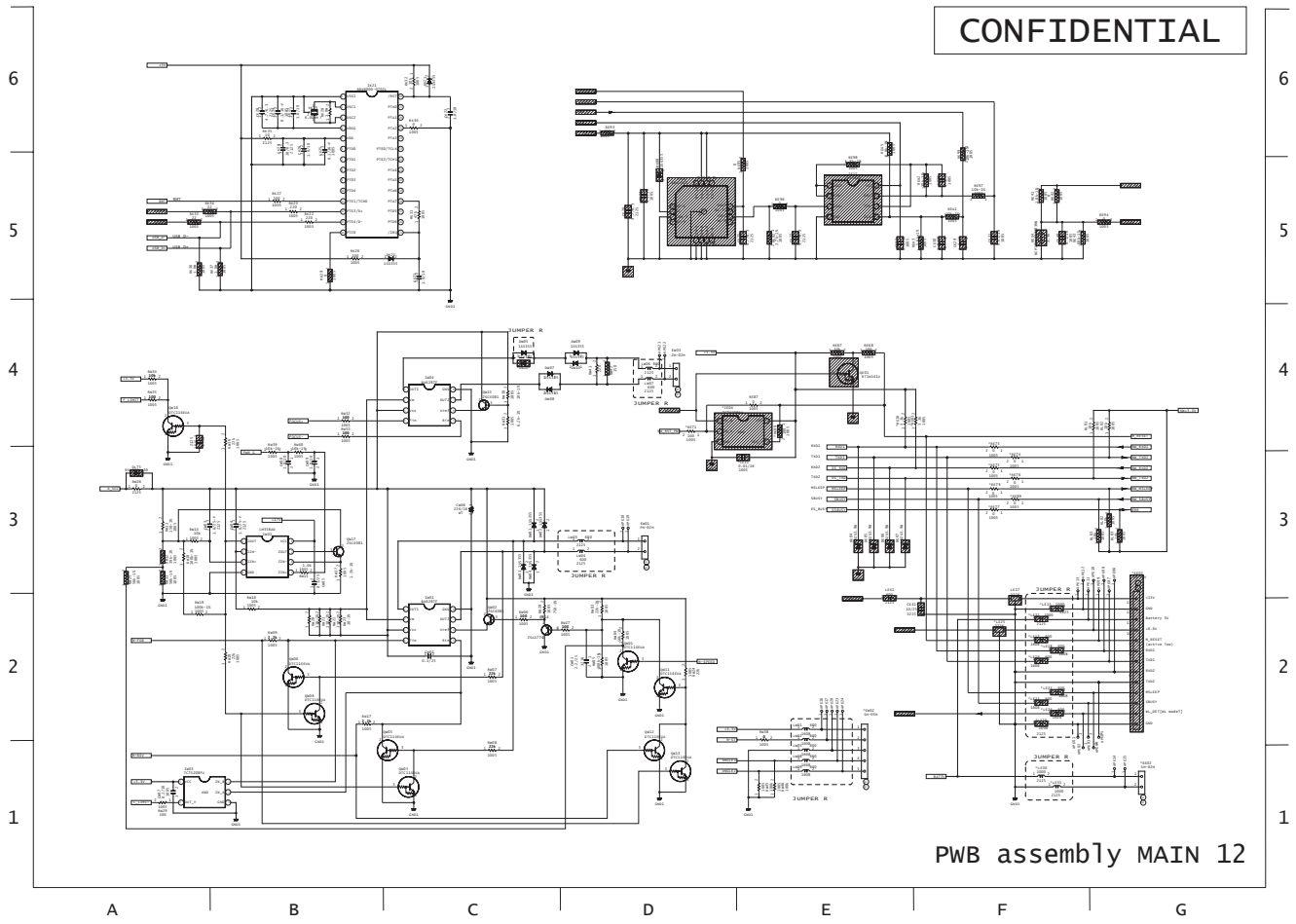
PWB assembly MAIN 10

CP-A100 / ED-A100 / ED-A110 (A1DN)

CONFIDENTIAL

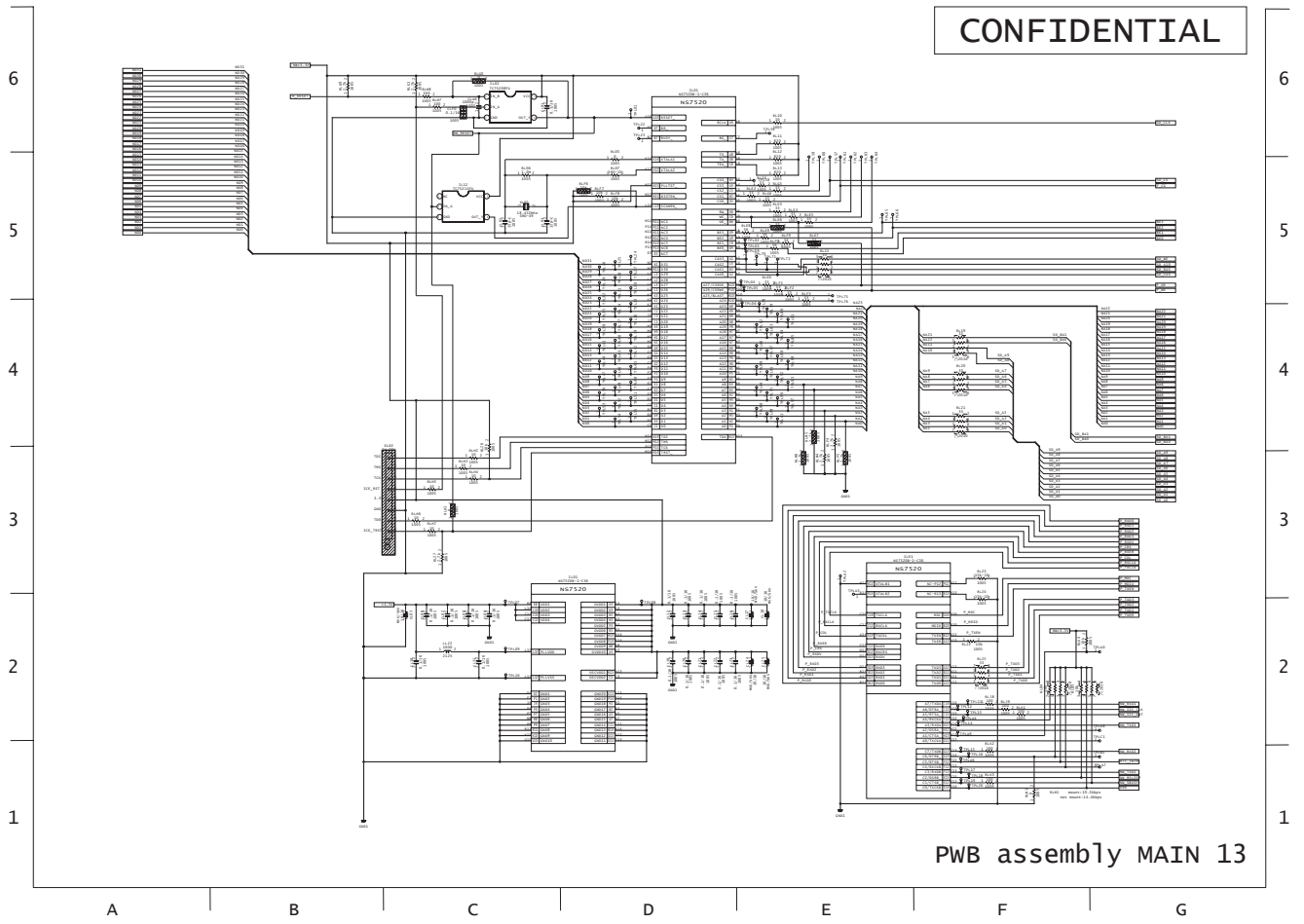


CONFIDENTIAL



CP-A100 / ED-A100 / ED-A110 (A1DN)

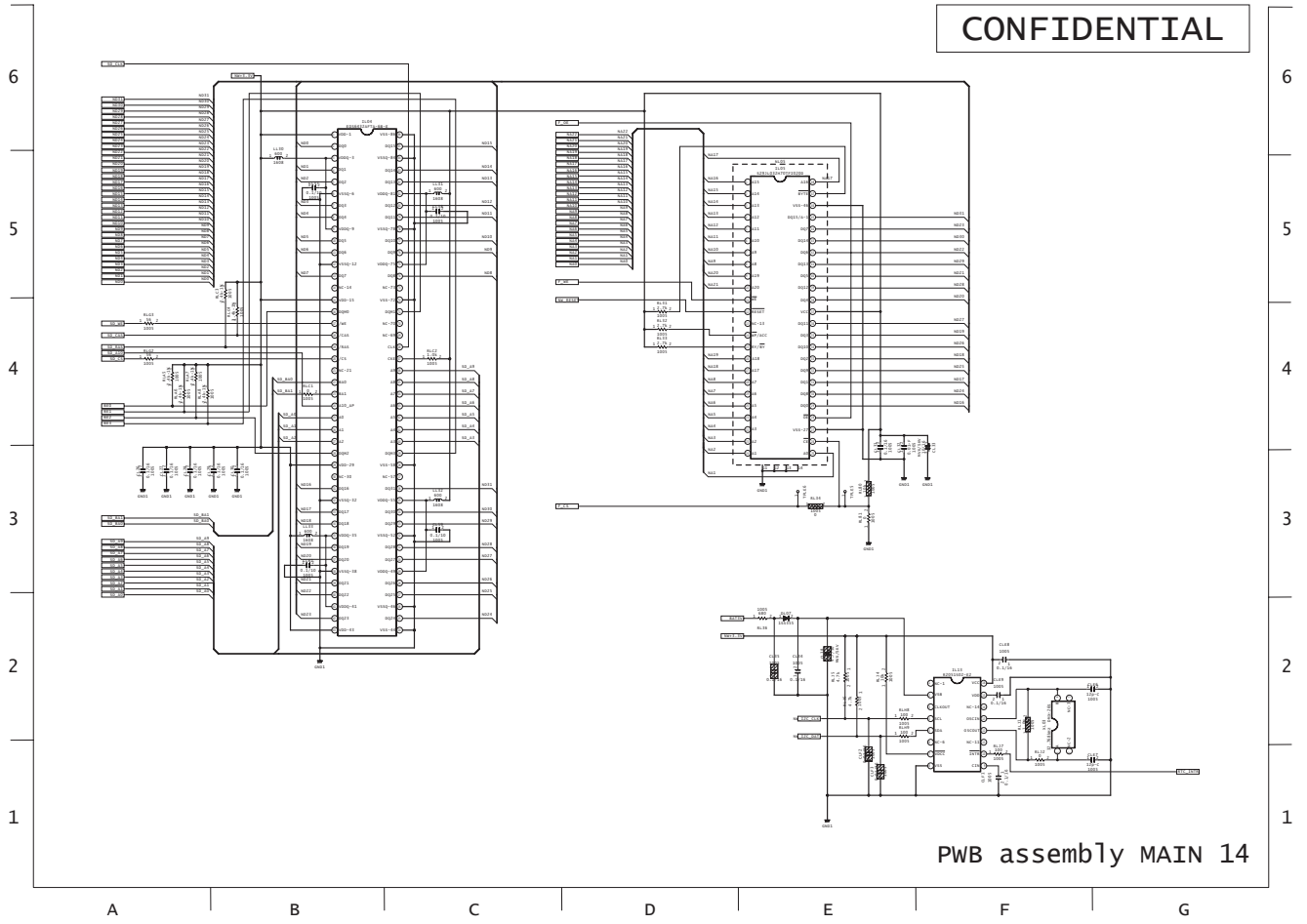
CONFIDENTIAL



PWB assembly MAIN 13

CP-A100 / ED-A100 / ED-A110 (A1DN)

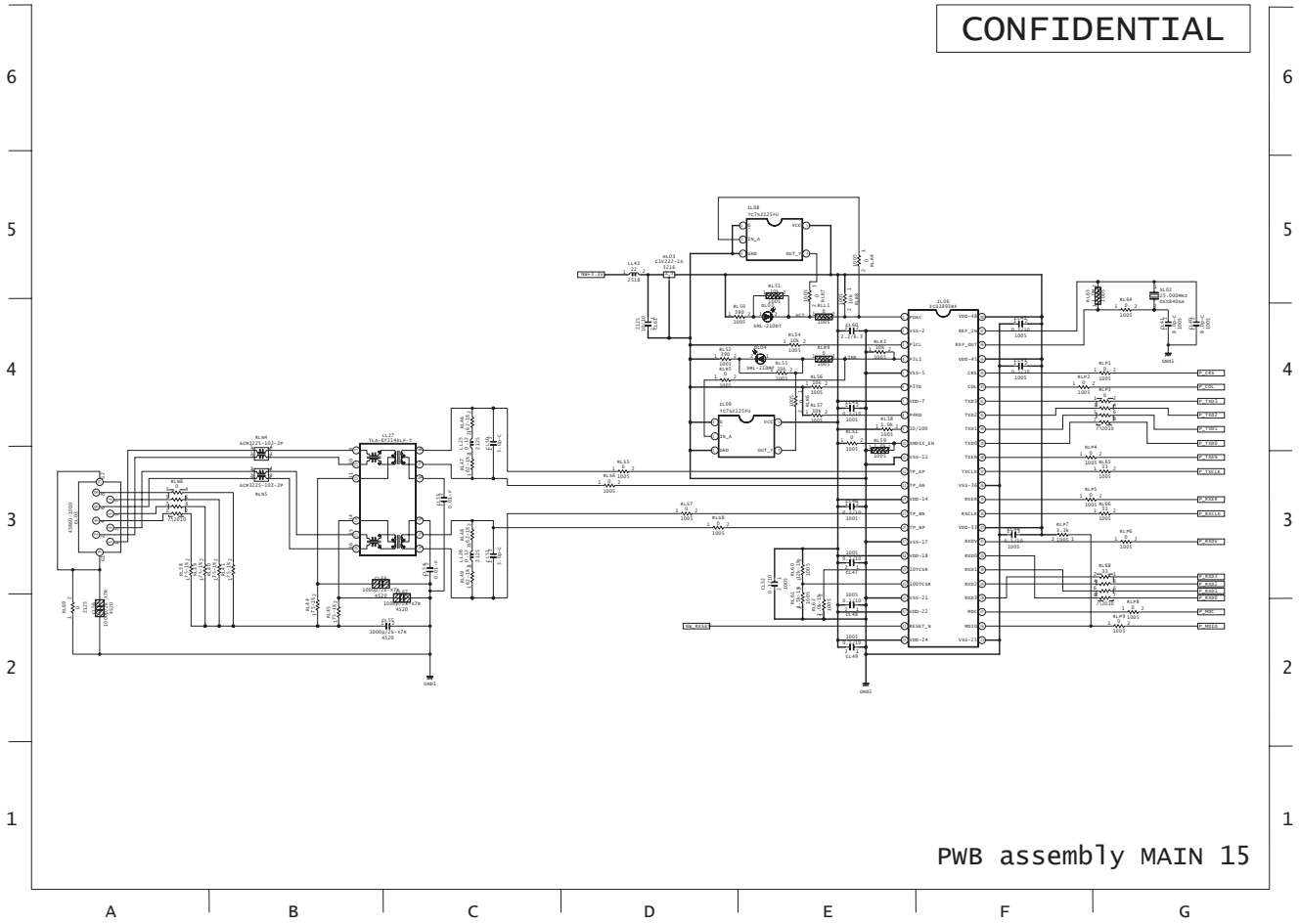
CONFIDENTIAL



PWB assembly MAIN 14

CP-A100 / ED-A100 / ED-A110 (A1DN)

CONFIDENTIAL



PWB assembly MAIN 15

Basic circuit diagram list

PWB assembly REMOTE

PWB assembly SW

PWB assembly BATTERY

POWER UNIT BALLAST 1

POWER UNIT BALLAST 2

POWER UNIT CIRCUIT 1

POWER UNIT CIRCUIT 2

PWB assembly INPUT

PWB assembly MAIN 1

PWB assembly MAIN 2

PWB assembly MAIN 3

PWB assembly MAIN 4

PWB assembly MAIN 5

PWB assembly MAIN 6

PWB assembly MAIN 7

PWB assembly MAIN 8

PWB assembly MAIN 9

PWB assembly MAIN 10

PWB assembly MAIN 11

PWB assembly MAIN 12

PWB assembly MAIN 13

PWB assembly MAIN 14

PWB assembly MAIN 15