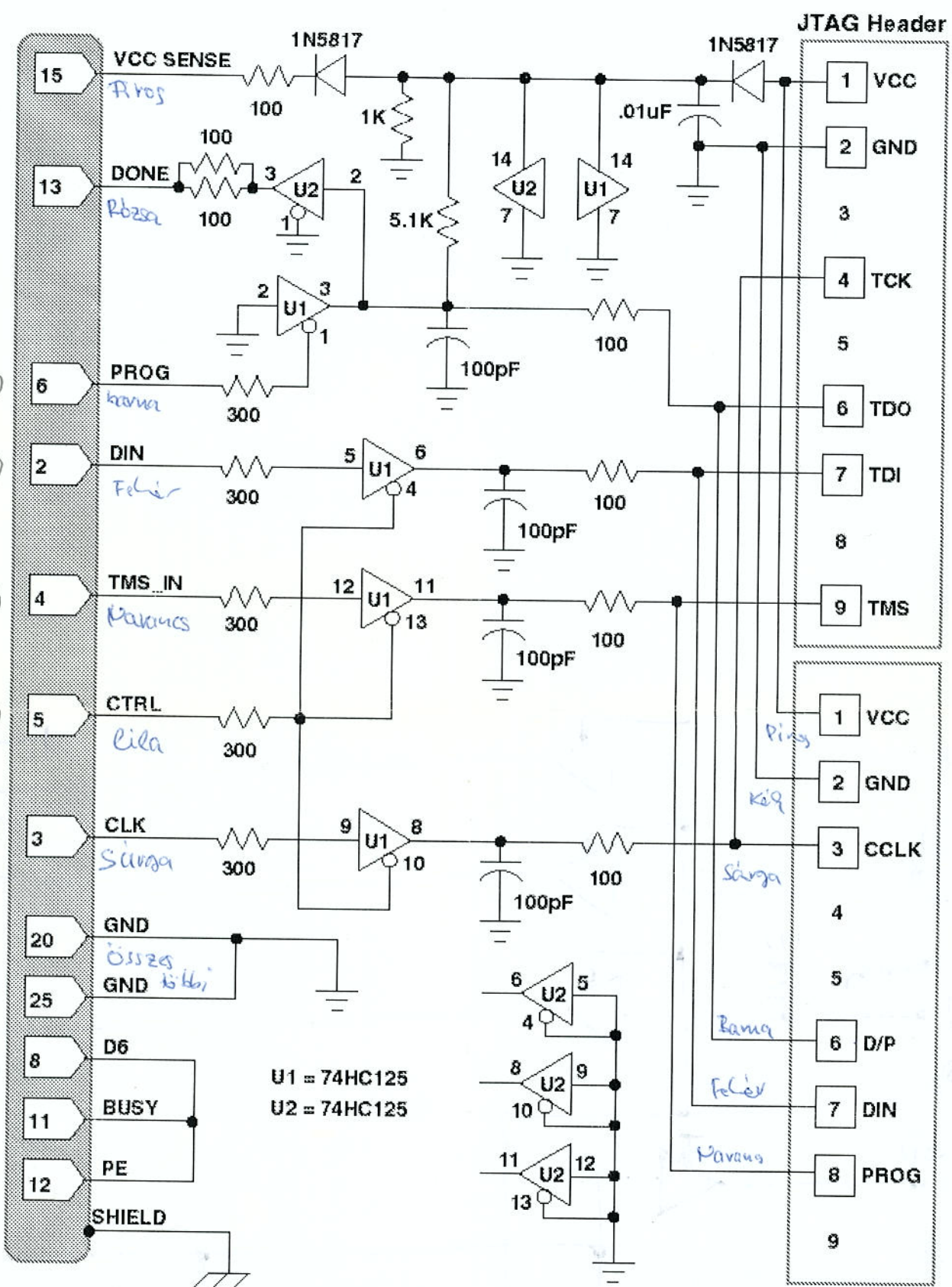


1 2 3 4 5 6 7
 0 0 0 0 0 0 0
 5R 20P 22P 25P 26 27
 1

DONE
 PROG 1 (D4)
 DIU (D2)
 PROG (D2)
 DEV (D2)
 CLK (D1)
 (4V) DC



DB25 MALE CONNECTOR

Serial JT -05000 and above for EPP parallel ports.

FPGA Header