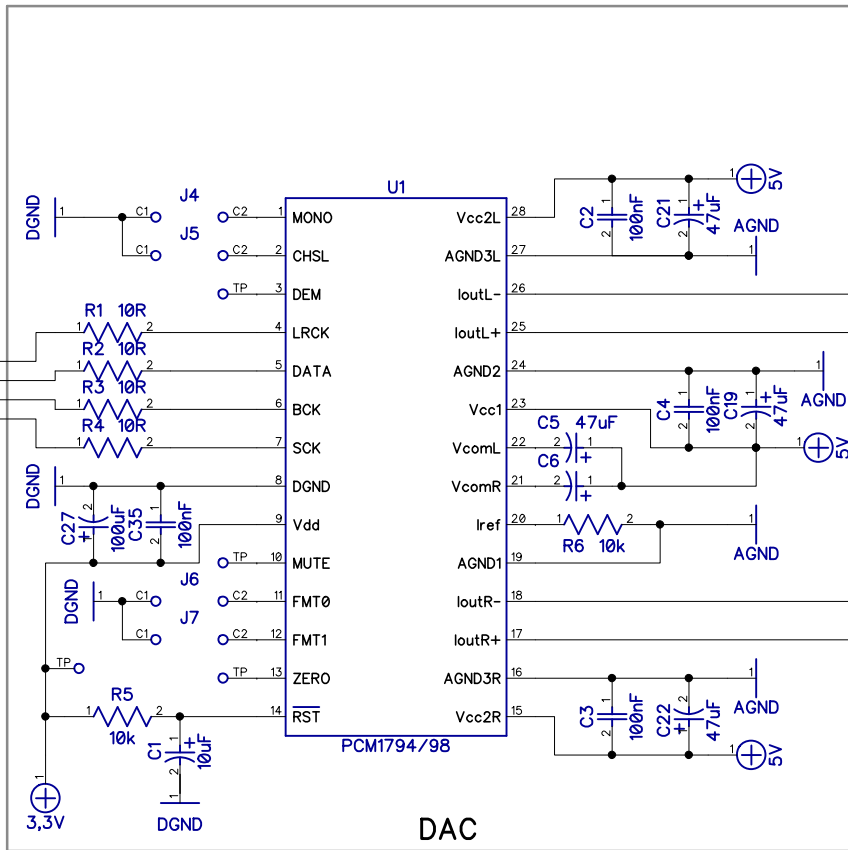
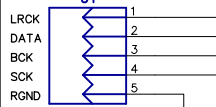
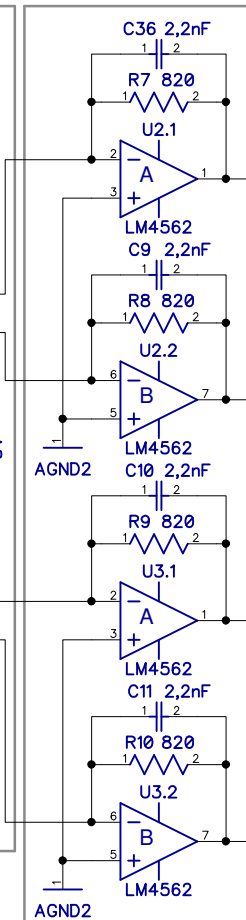


ELNA Silmic II
 Sanyo OSCON
 WIMA FKP-2
 WIMA MKP-2
 Panasonic FC

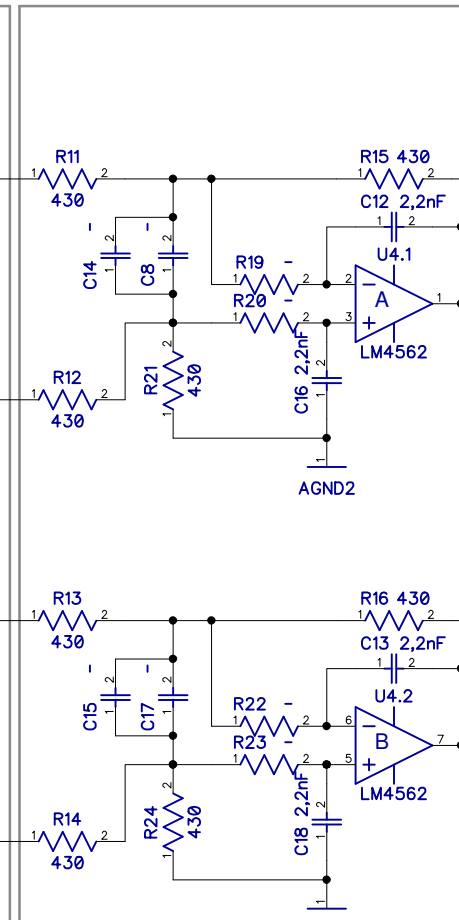
I2S input
 from USBstreamer



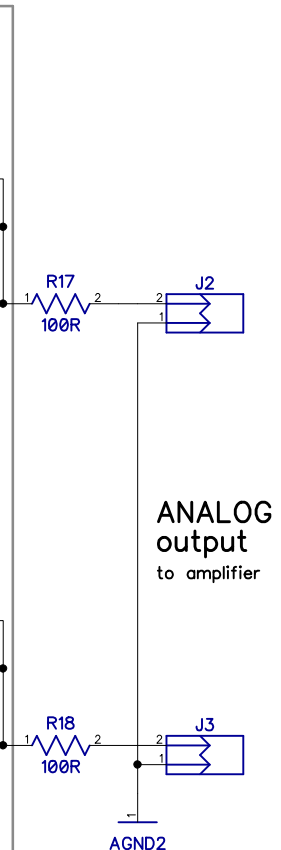
DAC



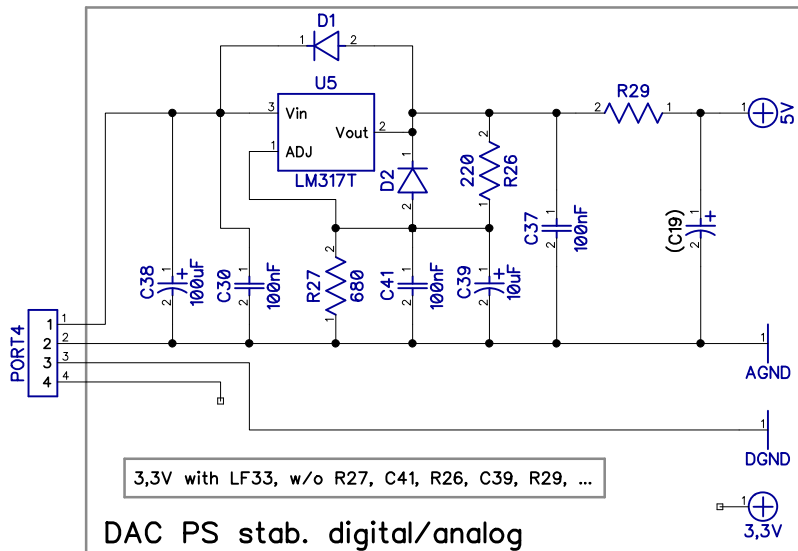
I/V converter



sym. to asym. converter

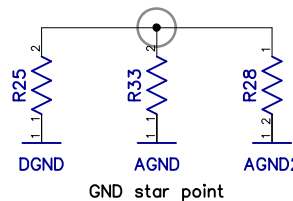
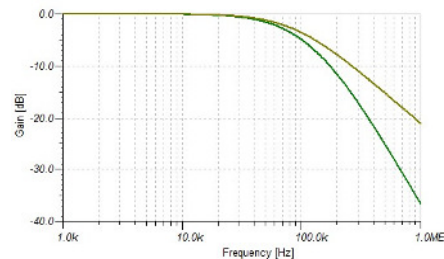


ANALOG output
 to amplifier

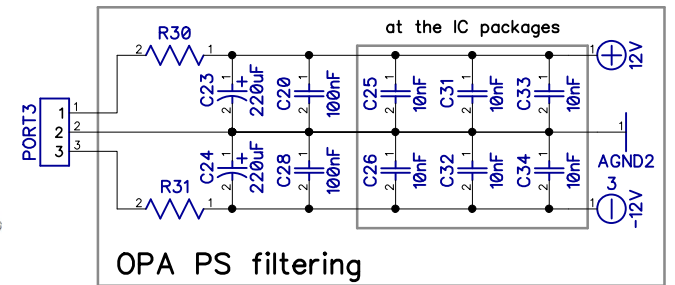


DAC PS stab. digital/analog

3,3V with LF33, w/o R27, C41, R26, C39, R29, ...



GND star point



OPA PS filtering

PCM1794 CO-DAC
 with I2S input and asymmetrical analog output

Main board

2015-04-15
 ver 0.1

SzB

mydac1.dch
 page 1/2