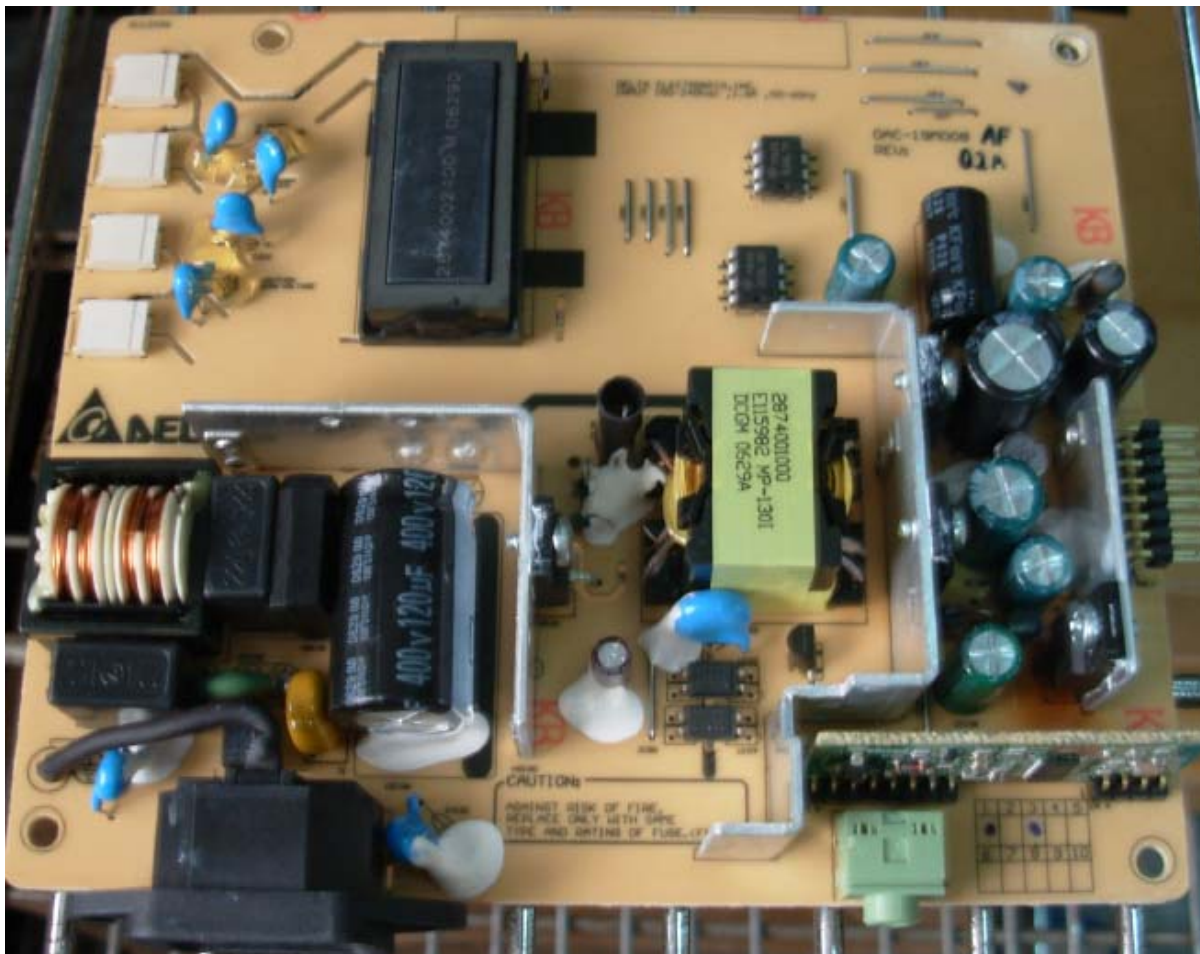




DAC-19M008 AF 01A & DAC-19M008 BF 01A 最主要的差異點在 AF 01A 版本含有外加 AUDIO BOARD,而 BF 01A 版本則無,其餘細項如下所示:

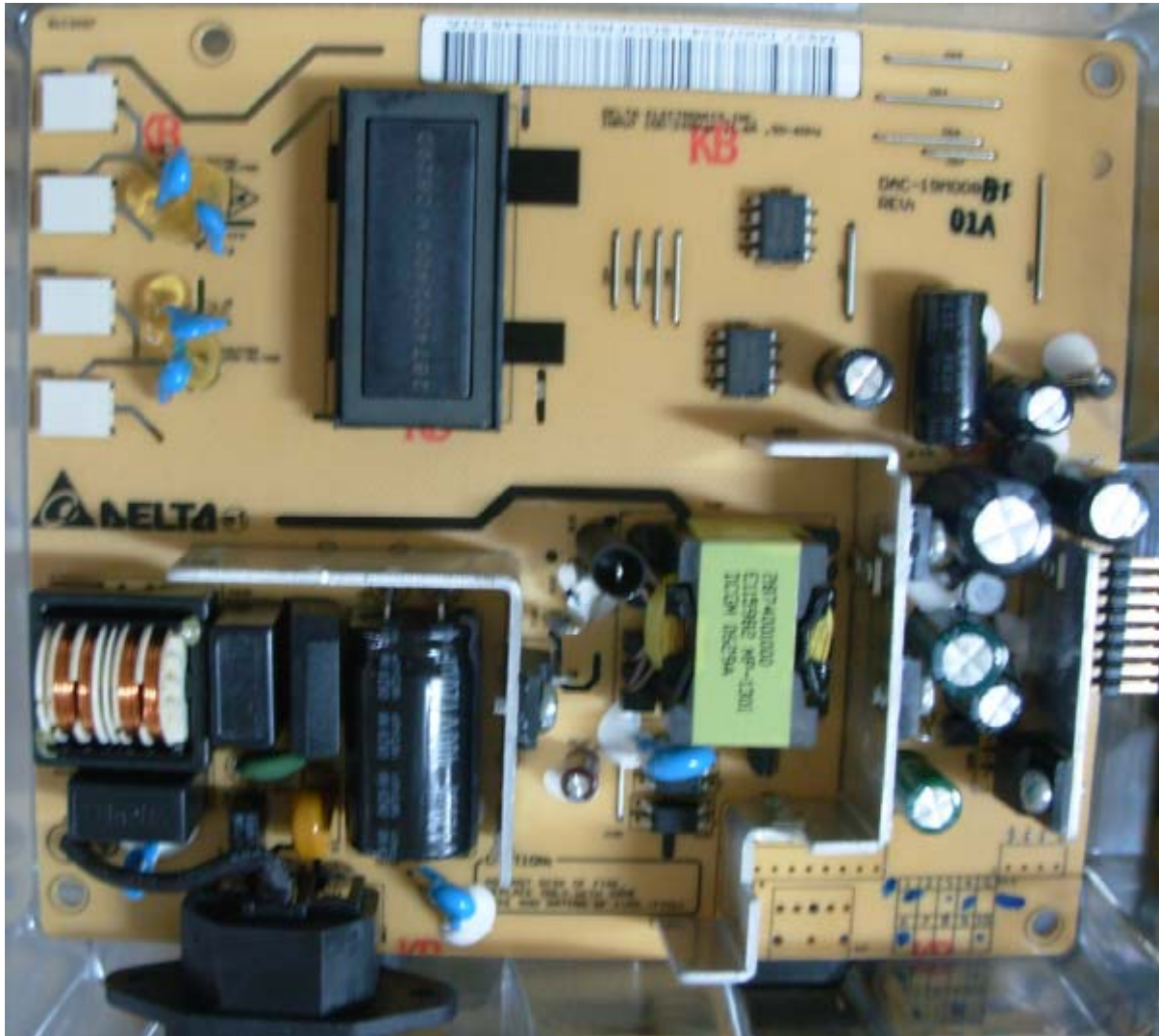
1. Change history (refer to page 7)
2. Mech. Spec (refer to page 35~39)
3. BOM List (refer to page 64~110)
4. BAR CODE LABEL (refer to page 113~115)
5. Golden sample test report (refer to page 27~34)
6. P/N marking on the PCB

(1)DAC-19M008 AF 01A





(2)DAC-19M008 BF 01A



註: DAC-19M008 AF 比 BF 相較,在零件部分增加如下

L100,L103,L104,L108, L300,L301,L304

C105,C106, ,C302,C308,C306,C307,C315,C317,C303,C304,C305,C311,C316,C301,
C313, ,C300,J103

D100,ZD300,Q300,U300

CN7, CNA,CNB

R301,R302,R303,R304,R308,R309,R310,R311,R313,R314,R316,R317,R312,R315,
R300,R307,R319,R103,R104=200K(BF R104=0 ohm)

PWB ASSY(5509550069),PWB(2994747200)

8. INVERTER

8-1 General Description.

This DC/AC inverter shall be used for 19W” 4 lamp LCD back light system.

8-2 SCOPE

- Input range (17Vdc – 21Vdc)
- Open lamp protection
- Output short circuit protection
- Current feedback control method
- Burst mode dimming control
- 4 lamp type of 19”

8-3 Electrical Characteristics

(+20V Load Condition : CCFL)

Item	Symbol	Description	Min.	Typ.	Max.	Unit
1	V_{in}	Operate Input Voltage	17	19	21	V
2	Enable	Inverter On/Off control: OFF	0	---	1	V
		Inverter On/Off control: ON	2	---	3.3	V
3	I_{inq}	Quiescent current	---	---	0.1	mA
4	V_{adj}	Output current control Vadj: High duty=0%, maximum brightness	0.1	---	3.3	V
		Vadj: High duty=32%, minimum brightness	(Low)		(High)	
5	F_b	Burst Mode Frequency	200	260	300	Hz
6	Freq.	Operating frequency	46	49	52	KHz
7	I_{out}	Output current, Vadj: High duty=0%	6.5	7.0	7.5	mA
		Output current, Vadj: High duty=32%	4.5	5.0	5.5	mA
8	out for dummy load 130k ohm //11P,13.5P 3KVV	Output current, Vadj: High duty=0%	6.5	7.0	7.5	mA
		Output current, Vadj: High duty=32%	4.5	5.0	5.5	mA
9	V_{lamp}	Lamp voltage	---	780	---	Vrms
10	V_{open}	Lamp ignite voltage	1710	---	---	Vrms
11	T_s	Lamp ignite time	1	---	2	Sec.
12	Efficiency	Simulate lamp resistor to calculate the efficiency	80	85	---	%

Remark : (Panel & Dummy Load)

Output I_{out} if Over Spec Please Delete R233 & R231

Output I_{out} if Under Spec Please Short J201 & J202

Output Freq if Over Spec Please Deletet R207

Output Freq if Under Spec Please Short J200

A. 電氣規格

一、 CONNECTION

1. CN5 : Input Connector : E&T 2041-G16N-06B or Equivalent

Pin No.	Symbol	Description
1	AOL+	AUDIO
2	AOL-	AUDIO
3	AOR+	AUDIO
4	AOR-	AUDIO
5	Shutdown	AUDIO
6	Mute	AUDIO
7	Vol_adj	AUDIO
8	+13.8V	+13.8V
9,10	+5V	+5V
11	Aud_DET	AUDIO
12,13,14	GND	GND
15	ON/OFF	Enable (ON) : 3.3V ; Disable (OFF) : 0V
16	BL-Adj	Dimming Control(PWM=260Hz Vp-p=3.3V)

2. CN7 : 2SJ-05101N13 or Equivalent



3. CN200、CN201、CN202、CN203 : Output Connector : ACES 87210-02X6X

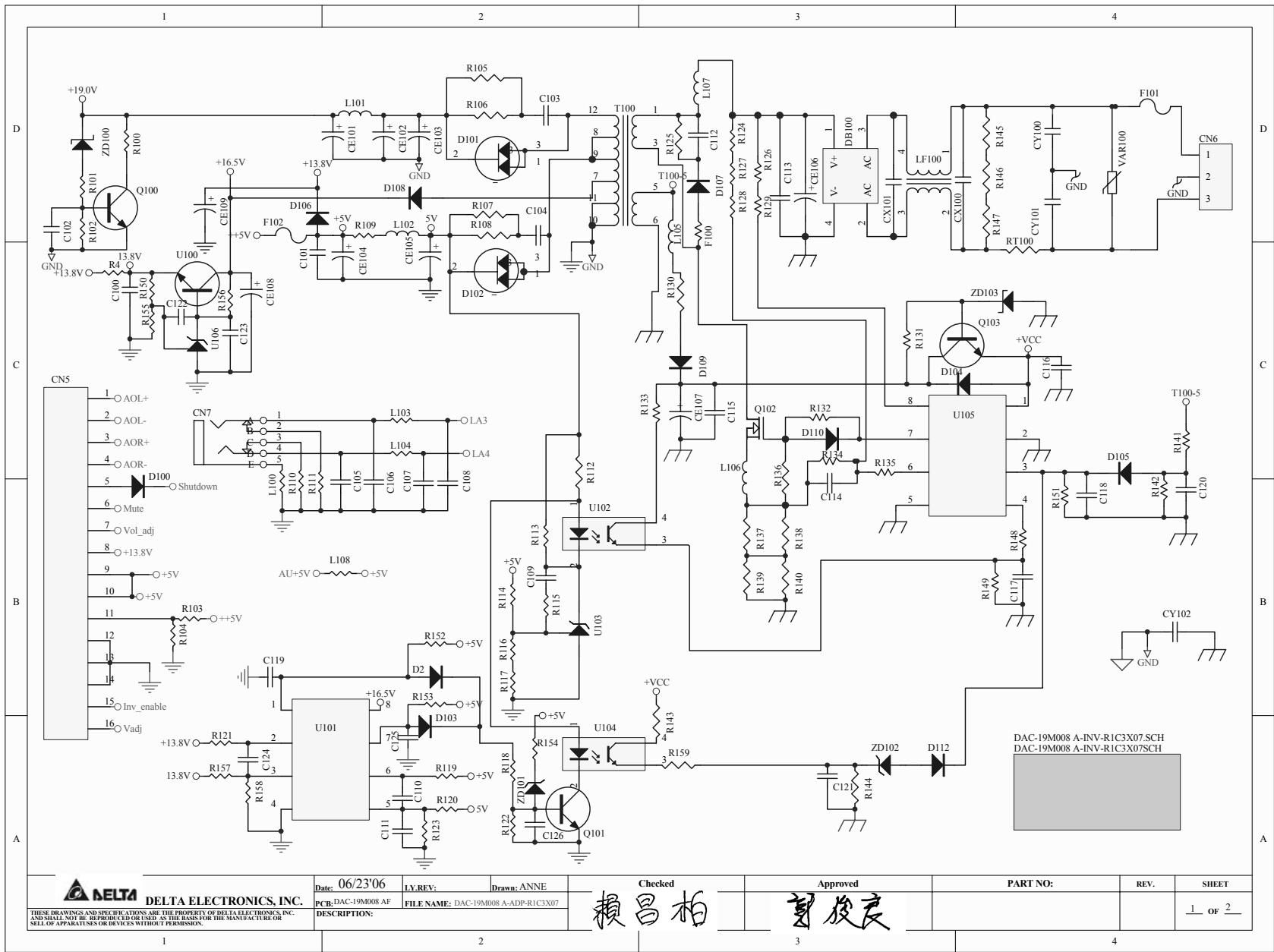
Pin No.	Symbol	Description
1	H.V	High Voltage
2	L.V	Lamp current FB

二、 ELECTRICAL TEST

2-1 INVERTER :

1. NO Load 保護 Test : CN200、CN201 & CN202、CN203 不接負載 ,由 R100 or F200

 台達電子工業股份有限公司 DELTA ELECTRONICS, INC.				DESCRIPTION : 電氣規格 (Electrical Specification)	
THESE DRAWINGS AND SPECIFICATIONS ARE THE PROPERTY OF DELTA ELECTRONICS, INC. AND SHALL NOT BE REPRODUCED OR USED AS THE BASIS FOR THE MANUFACTURE OR SELL OF APPARATUSES OR DEVICES WITHOUT PERMISSION.				MODEL NO. DAC-19M008 AF	
Date	Drawn	Checked	Approved	DOCUMENT NO. :	REV.
06/16'06	林曉輝 06/16'06	賴昌柏 符兆偉 06/16'06	 06/16'06	DAC-19M008 AF-ES	02

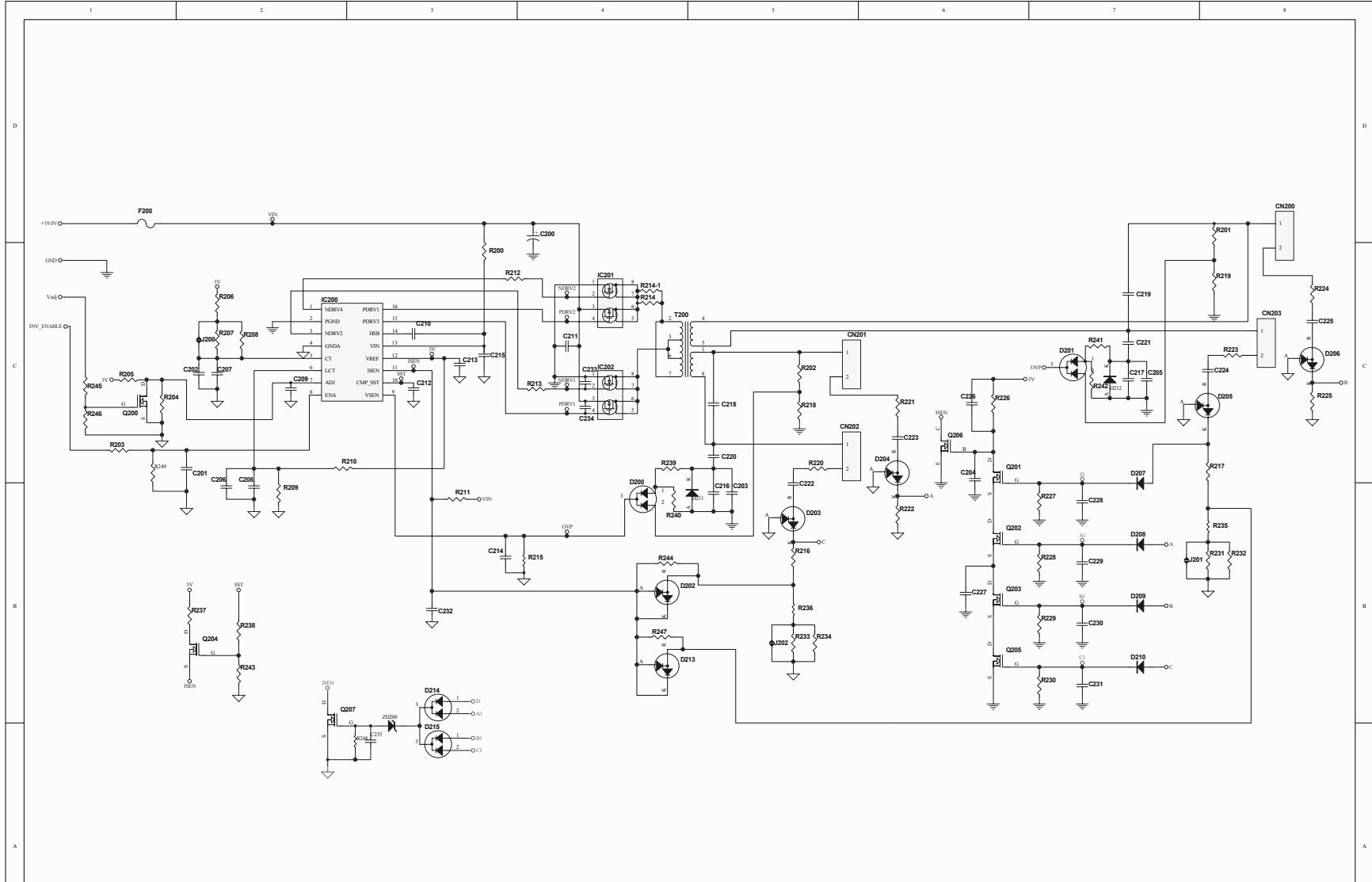


DELTA DELTA ELECTRONICS, INC.
 THESE DRAWINGS AND SPECIFICATIONS ARE THE PROPERTY OF DELTA ELECTRONICS, INC. AND SHALL NOT BE REPRODUCED OR USED AS THE BASIS FOR THE MANUFACTURE OR SALE OF APPARATUS OR DEVICES WITHOUT PERMISSION.

Date: 06/23/06
 LY.REV: Drawn: ANNE
 PCB: DAC-19M008 AF FILE NAME: DAC-19M008 A-ADP-R1C3X07
 DESCRIPTION:

Checked: 賴昌柏
 Approved: 郭俊良

PART NO: REV. SHEET
 1 OF 2




DELTA ELECTRONICS, INC.
 THESE DRAWINGS AND SPECIFICATIONS ARE THE PROPERTY OF DELTA ELECTRONICS, INC.
 AND SHALL NOT BE REPRODUCED OR USED AS THE BASIS FOR THE MANUFACTURE OR
 SELL OF APPARATUS OR DEVICES WITHOUT PERMISSION.

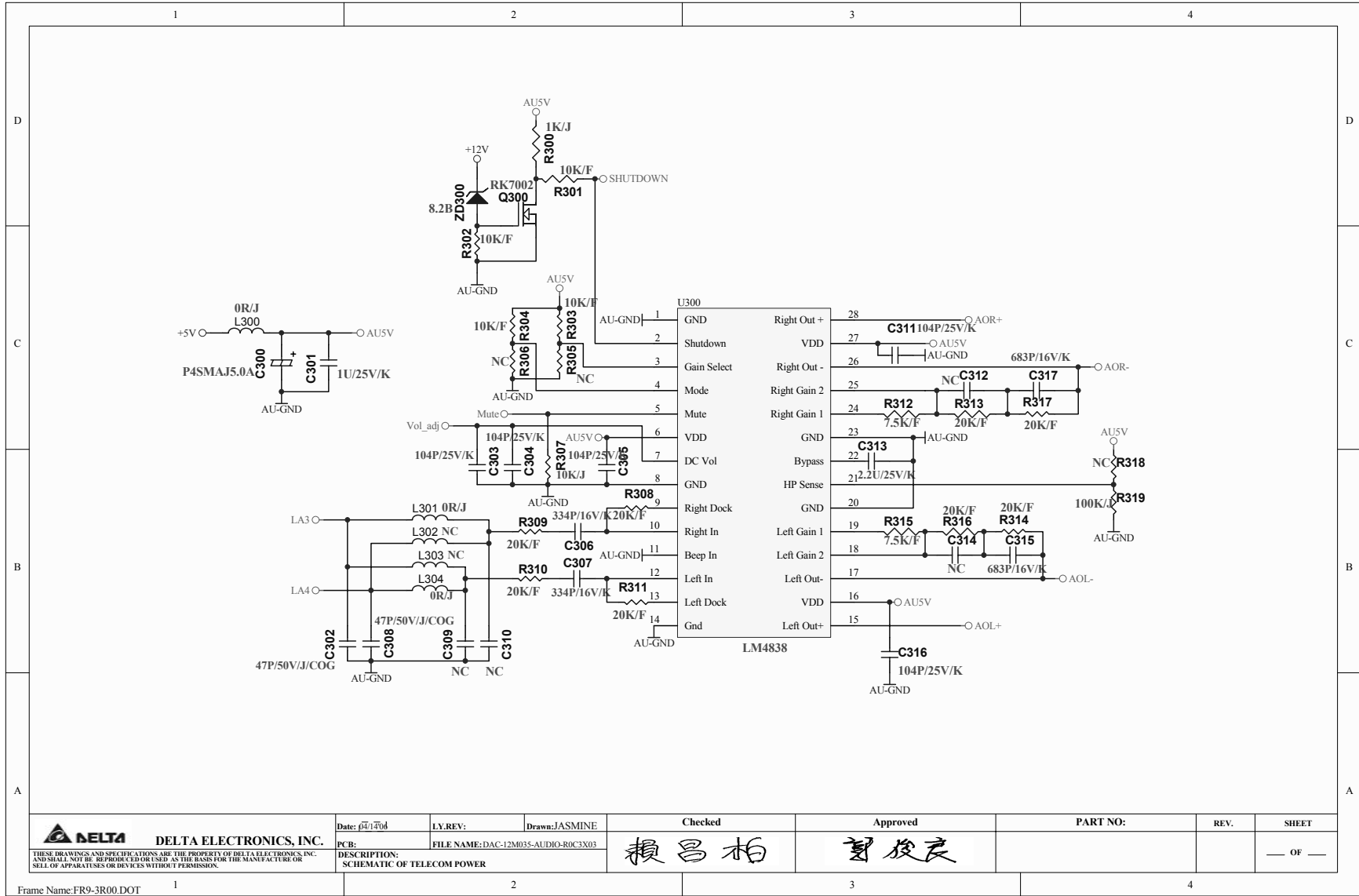
Date: 06/23/06
 PCB: DAC-19A0008 AF
 DESCRIPTION:
 SCHEMATIC OF TELECOM POWER

LY.REV: _____
 Drawn: ANNE
 FILE NAME: DAC-19A0008 A-INV-RIC3X07

Checked
 賴昌柏

Approved
 曾俊良

PART NO: _____
 REV. _____
 SHEET _____ OF _____



DELTA DELTA ELECTRONICS, INC.

Date: 04/17/04 LY.REV: Drawn: JASMINE

Checked: 賴昌柏

Approved: 鄭俊良

PART NO: REV: SHEET

THESE DRAWINGS AND SPECIFICATIONS ARE THE PROPERTY OF DELTA ELECTRONICS, INC. AND SHALL NOT BE REPRODUCED OR USED AS THE BASIS FOR THE MANUFACTURE OR SALE OF APPARATUS OR DEVICES WITHOUT PERMISSION.

DESCRIPTION: SCHEMATIC OF TELECOM POWER

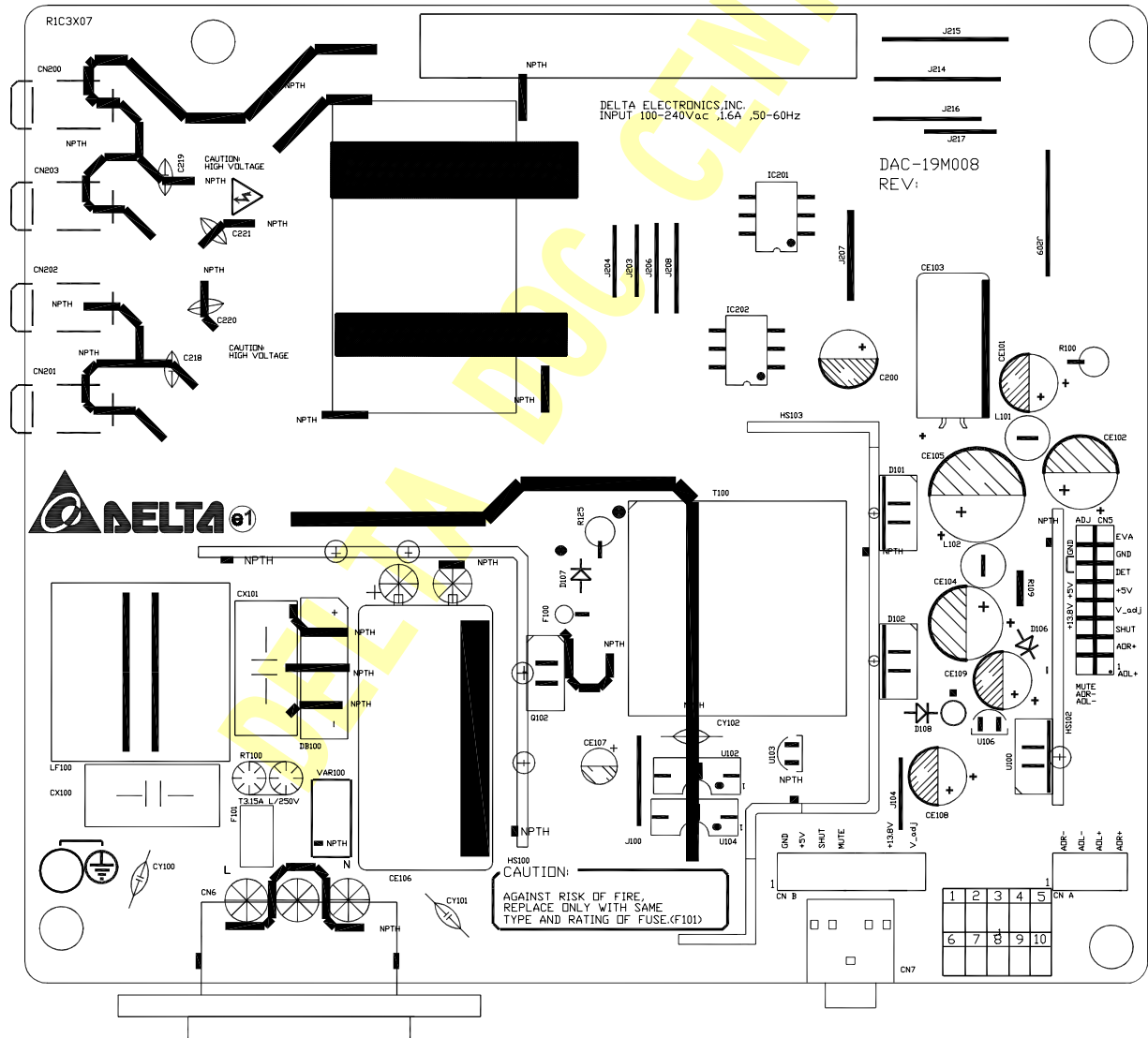
FILE NAME: DAC-12M035-AUDIO-ROC3X03

— OF —



THESE DRAWINGS AND SPECIFICATIONS ARE THE PROPERTY OF DELTA ELECTRONICS, INC. AND SHALL NOT BE REPRODUCED OR USED AS THE BASIS FOR THE MANUFACTURE OR SELL OF APPARATUSES OR DEVICES WITHOUT PERMISSION.

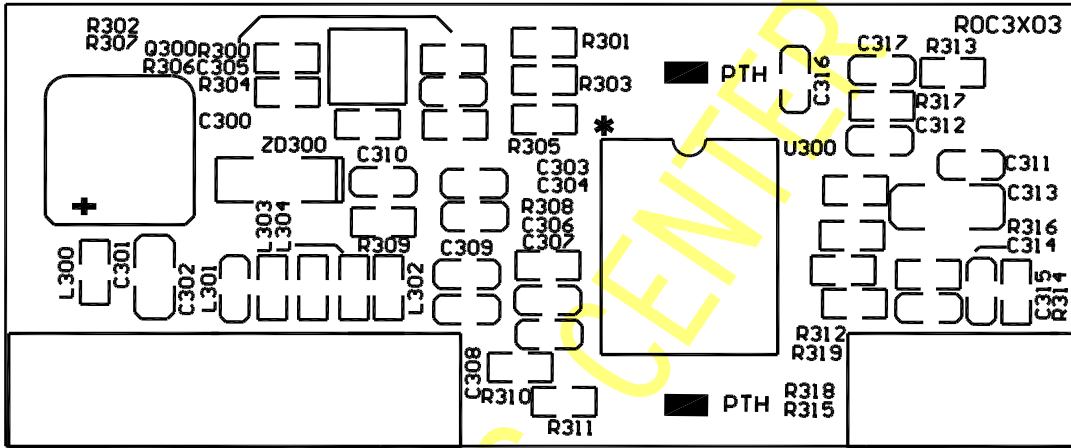
DRAWING NO: PM-1 19M008 REV: 1
USED ON: DAC-19M008 CODE: 3
MADE BY: ANNE DATE: 06/23'06
P/N: 2994747901





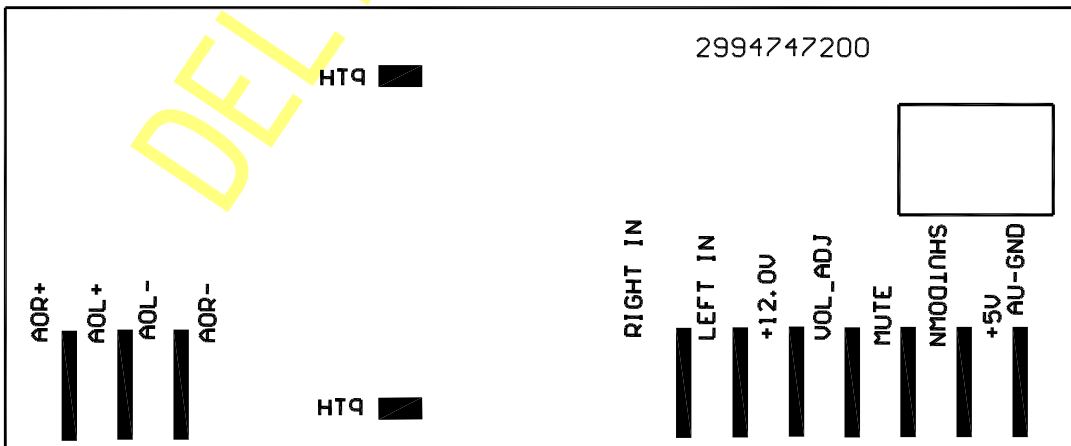
THESE DRAWINGS AND SPECIFICATIONS ARE THE PROPERTY OF DELTA ELECTRONICS, INC. AND SHALL NOT BE REPRODUCED OR USED AS THE BASIS FOR THE MANUFACTURE OR SELL OF APPARATUSES OR DEVICES WITHOUT PERMISSION.

DRAWING NO: PM-1 REV: 0
 USED ON: CODE: 3
 MADE BY: JASMINE DATE: 04/14'06
 P/N: 2994747200



THESE DRAWINGS AND SPECIFICATIONS ARE THE PROPERTY OF DELTA ELECTRONICS, INC. AND SHALL NOT BE REPRODUCED OR USED AS THE BASIS FOR THE MANUFACTURE OR SELL OF APPARATUSES OR DEVICES WITHOUT PERMISSION.

DRAWING NO: PM- REV: 0
 USED ON: CODE: 3
 MADE BY: JASMINE DATE: 04/14'06
 P/N: 2994747200





DELTA P/N:

DAC-19M008 AF REV:01A

SHEET 1 of 24

CONTENT

5. Material List

DATE: 08 / 01 / 06'

<u>NO.</u>	<u>SYMBOL</u>	<u>DESCRIPTION</u>	<u>Q'TY</u>	<u>SUPPLIER</u>	<u>PART NAME</u>
1	R125	RES MOF 2W 100K Ω J SMALL FR	1	TY-OHM KAMAYA WALSIN	
2	R100	RES MOF 2W 300 Ω J SMALL FR	1	TY-OHM KAMAYA WALSIN	
3	F100	RES FUSIBLE MF 1/2W 100ohm J SMALL	1	TY-OHM KAMAYA WALSIN	
4	R109	RES WIRE 5.1mohm J 0.8mm	1	TY-OHM	
6	F101	FUSE T S 3.15A 250V 3.15A 250V	1	CONQUER WICKMANN	MST3.15A 250V UL:E82636 392-3.15A UL:E67006



DELTA P/N:

DAC-19M008 AF REV:01A

SHEET 2 of 24

CONTENT

5. Material List

DATE: 08 / 01 / 06'

<u>NO.</u>	<u>SYMBOL</u>	<u>DESCRIPTION</u>	<u>Q'TY</u>	<u>SUPPLIER</u>	<u>PART NAME</u>
7	RT100	RES NTC 5A R=2.5ohm	1	UPPERMOST THINKING	
8	VAR100	VARISTOR 420VAC 45J 2.5KA 420VAC 70J 2.5KA	1	UPPERMOST THINKING	V10K420 UL:E105157 TVR10681KSY UL:E173642
9	CY100,CY101	CERAMIC CHIP CAP. Y1/X1 CD 250VAC 330pF K B P10	2	TDK PAN OVERSEAS	CD UL:E37861 AH# UL:E146544
10	CY102	CERAMIC CHIP CAP. Y1/X1 CD 250VAC 2200pF M E P10	1	TDK PAN OVERSEAS	CD UL:E37861 AH# UL:E146544
11	CY220,CY221	CERAMIC CHIP CAP. 3KV 39pF C SL	2	HEC TDK PAN OVERSEAS	
12	C218	CERAMIC CHIP CAP. 6KV 5pF D SL VI7.5	1	HEC TDK	
13	C219	CERAMIC CHIP CAP. 6KV 8pF D SL VI7.5	1	HEC TDK	
14	CE104	ALMINUM CAP 10V 1000uF M 10*16 TP5	1	NCC TAICON CAPXON	



DELTA P/N:

DAC-19M008 AF REV:01A

SHEET 3 of 24

CONTENT

5. Material List

DATE: 08 / 01 / 06'

<u>NO.</u>	<u>SYMBOL</u>	<u>DESCRIPTION</u>	<u>Q'TY</u>	<u>SUPPLIER</u>	<u>PART NAME</u>
15	CE105	ALMINUM CAP 10V 2.2mF M 13*20 TP5	1	NCC TAICON CAPXON	
16	CE102,CE103	ALMINUM CAP 25V 1KuF M 10*20 TP5	2	NCC TAICON CAPXON	
17	C200,CE101 CE109	ALMINUM CAP 25V 220uF M 8*11.5	3	NCC TAICON CAPXON	
18	CE108	ALMINUM CAP 25V 330uF M 8*16	1	NCC TAICON CAPXON	
19	CE107	ALMINUM CAP 50V 22uF M 5*11	1	NCC TAICON CAPXON	
20	CE106	ALMINUM CAP 400V 120uF M 18*31.5	1	NCC TAICON CAPXON	
21	CX100,CX101	CERAMIC CHIP CAP. X MP PC 275VAC 0.22uF M P15.0	2	ARCOTRONICS OKAYA	R46KI322050M UL:E97797 UL:E85238 RE224-L UL:E78644 UL:E47474



DELTA P/N:

DAC-19M008 AF REV:01A

SHEET 4 of 24

CONTENT

5. Material List

DATE: 08 / 01 / 06'

<u>NO.</u>	<u>SYMBOL</u>	<u>DESCRIPTION</u>	<u>Q'TY</u>	<u>SUPPLIER</u>	<u>PART NAME</u>
22	DB100	BRIDGE DIODE 4A 600V 4A 600V 4A 600V FL(KBL)	1	PANJIT VISHAY FAIRCHILD	FL406 UL:E111753 KBL06-E4/51 UL:E54214 KBL06 UL:E96005
23	D106,D107	ULTRA FAST DIODE 1A 1000V 1A 1000V 1A 1000V 1A 1000V DO-41	2	DIODE VISHAY PANJIT FAIRCHILD	UF1007 UF4007-E3/73 UF1010 T/B UF4007
24	D108	FRD DIODE 2A 200V 2A 600V DO-15-2P	1	PANJIT ON SEMI	ER202 T/B MUR260RLG
25	D102	SCHOTTKY DIODE 10A 100V 10A 100V 10A 100V 10A 100V TO-220F	1	ST VISHAY DIODES PANJIT	STPS10H100CFP MBRF10H100CT MBRF10100CT SB10100FCT
26	D101	SCHOTTKY DIODE 20A 200V 20A 150V 20A 200V ITO-220AB	1	PANJIT VISHAY	SB20200FCT SB20150FCT MBRF20H200CT
27	U100	POWER TRANSISTOR 100V 5A 100V 5A TO-220FP	1	ST FAIRCHILD	TIP122FP KSD1589YTU



DELTA P/N:

DAC-19M008 AF REV:01A

SHEET 5 of 24

CONTENT

5. Material List

DATE: 08 / 01 / 06'

<u>NO.</u>	<u>SYMBOL</u>	<u>DESCRIPTION</u>	<u>Q'TY</u>	<u>SUPPLIER</u>	<u>PART NAME</u>
28	U102,U104	PHOTO TR 50mA 35V 50mA 35V 130-260 % DIP-4	2	SHARP LITE-ON	PC817X2 UL:E64380 LTV-817B UL:E113898
29	Q102	MOSFET 600V 10A 750mohm 600V 10A 750mohm 600V 10A 750mohm TO-220F	1	STMI TOSHIBA TOSHIBA	STP10NK60ZFP 2SK2843(Q,T) 2SK3569(Q)
30	IC201,IC202	N+P CH MOSFET 30V 7.5A 0.028ohm 30V 7.5A 0.028ohm 30V 7.0A 0.025ohm DIP-8	2	AOS AOS APEC	AOP604 AOP605 AP4511GD
31	U103,U106	IC VOL REF ADJ 2.5V 100mA 2.495V 100mA 2.495V 100mA 1% TO-92	2	STMI ON SEMI TEXAS	TL431ACZ-AP TL431ACLPRAG TL431ACLPRE3
32	LF100	LINE FILTER 17mH LFZ24H05	1	DELTA	P/N:2805617000 UL:E130155 UL:E197768 UL:E85640 UL:E59481 UL:E51047



DELTA P/N:

DAC-19M008 AF REV:01A

SHEET 6 of 24

CONTENT

5. Material List

DATE: 08 / 01 / 06'

<u>NO.</u>	<u>SYMBOL</u>	<u>DESCRIPTION</u>	<u>Q'TY</u>	<u>SUPPLIER</u>	<u>PART NAME</u>
33	L101,L102	INDUCTOR CD L=3.3uH ± 20 % 21A-4016	2	DELTA	P/N:2816441280 UL:E85640 UL:E84201 UL:E171082 UL:E206882
34	T100	X'FMR PQ2620 LK:480uH ± 5% 21A-5039A SRW2620PQ-T28V017	1	DELTA TDK	P/N:2874001000 UL:E85640 UL:E84201 UL:E197768 UL:E174837 UL:E171082 UL:E206440 UL:E166483 UL:E165111 UL:E17385 UL:E50292 UL:E41429 UL:E156256 UL:E180908 UL:E51047 P/N:2811301246 UL:E59481 UL:E41429 UL:E50292 UL:E165111 UL:E17385 UL:E196072 UL:E189722 UL:E218438 UL:E229341 UL:E206440 UL:E166483 UL:E156256 UL:E175982 UL:E81777 UL:E72979



DELTA P/N:

DAC-19M008 AF REV:01A

SHEET 7 of 24

CONTENT

5. Material List

DATE: 08 / 01 / 06'

<u>NO.</u>	<u>SYMBOL</u>	<u>DESCRIPTION</u>	<u>Q'TY</u>	<u>SUPPLIER</u>	<u>PART NAME</u>
35	T200	X'FMR UI22 LK:300mH +/-8% 00A-5095D	1	DELTA	P/N:2874002400 UL:E54705 UL:E85640 UL:E84201 UL:E197768 UL:E174837 UL:E171082 UL:E143312 UL:E51047
36	CN6	SOCKET AC INLENT SNAP 94V0 C14	1	TECX-UNIONS	TU-301-AP-AJB-7 00-AC2(D) UL:E220004
37	CNB	CONNECTOR HEADER PBT 94V0 1R 8PIN	1	JWT	A2541WR2-1DX8P UL:E144544
38	CN5	CONNECTOR HEADER PA46 94V0 2R 8PIN	1	ENTERY	2061-G16N-11B UL:E185177
39	CN7	CONNECTOR HEADER PBT 94V0 1R 2PIN	1	SINGATRON	2SJ-0510NC3 UL:E59481
40	CNA	CONNECTOR HEADER PBT 94V0 1R 4PIN	1	JWT	A2541WR2-1D*4P UL:E144544
41	CN200,CN201 CN202,CN203	CONNECTOR HEADER PA9T 94V0 1R 2PIN	4	ACES	87210-0236L UL:E205655
42	SCREW	SCREW T ϕ 3*1.06*6 PAN C S17C ZN	4		FOR D101



DELTA P/N:

DAC-19M008 AF REV:01A

SHEET 8 of 24

CONTENT

5. Material List

DATE: 08 / 01 / 06'

<u>NO.</u>	<u>SYMBOL</u>	<u>DESCRIPTION</u>	<u>Q'TY</u>	<u>SUPPLIER</u>	<u>PART NAME</u>
43	SCREW	SCREW T ϕ 3*1.06*6 PAN C S20C ZN	4		FOR D101
44	POLYOLEFIN	TUBE HS POLYOLEFIN 4*0.25	0.06		FOR CN6
45	HS100	HSK STAMP AL1050 45.5*45.1*20 T1.5	1		
46	HS103	HSK STAMP AL1050F 70*27.6*20 T1.5	1		
47	HS102	HSK STAMP AL1050F 40*20 T1.5	1		
48	R137,R138, R139,R140	RES CH 1/4W 200m Ω F 1206	4	TA-I YAGEO	
49	R130	RES CH 1/4W 2.7 Ω J 1206	1	TA-I YAGEO	
50	R121,R126, R129,R203	RES CH 1/4W 10K Ω F 1206	4	TA-I YAGEO	



DELTA P/N:

DAC-19M008 AF REV:01A

SHEET 9 of 24

CONTENT

5. Material List

DATE: 08 / 01 / 06'

<u>NO.</u>	<u>SYMBOL</u>	<u>DESCRIPTION</u>	<u>Q'TY</u>	<u>SUPPLIER</u>	<u>PART NAME</u>
51	R150	RES CH 1/4W 47K Ω F 1206	1	TA-I YAGEO	
52	R145,R146, R147	RES CH 1/4W 330K Ω F 1206	3	TA-I YAGEO	
53	R4	RES CH 1/4W 100m Ω F 1206	1	TA-I YAGEO	
54	R235	RES CH 1/4W 402 Ω F 1206	1	TA-I YAGEO	
55	R152	RES CH 1/4W 220K Ω F 1206	1	TA-I YAGEO	
56	D104,J101,J105 J106,J205,J210 J211,J212,J213 J212,R213	RES CH 1/4W 0 Ω J 1206	11	TA-I YAGEO	
57	R132	RES CH 1/4W 15 Ω J 1206	1	TA-I YAGEO	
58	R105,R106, R107,R108,	RES CH 1/4W 20 Ω J 1206	4	TA-I YAGEO	
59	R156	RES CH 1/4W 560 Ω J 1206	1	TA-I YAGEO	



DELTA P/N:

DAC-19M008 AF REV:01A

SHEET 10 of 24

CONTENT

5. Material List

DATE: 08 / 01 / 06'

<u>NO.</u>	<u>SYMBOL</u>	<u>DESCRIPTION</u>	<u>Q'TY</u>	<u>SUPPLIER</u>	<u>PART NAME</u>
60	R231,R232, R233,R234	RES CH 1/10W 33.2Ω F 0603	4	TA-I YAGEO	
61	R216,R217	RES CH 1/10W 562Ω F 0603	2	TA-I YAGEO	
62	R143,R220 R221,R148 R223,R224	RES CH 1/8W 1KΩ F 0805	6	TA-I YAGEO	
63	R222,R225 R237	RES CH 1/10W 1KΩ F 0603	3	TA-I YAGEO	
64	R142,R159	RES CH 1/8W 2.7KΩ F 0805	2	TA-I YAGEO	
65	R218,R219	RES CH 1/8W 3.9KΩ F 0805	2	TA-I YAGEO	
66	R133,R134	RES CH 1/8W 4.7KΩ F 0805	2	TA-I YAGEO	
67	R149	RES CH 1/10W 4.7KΩ F 0603	1	TA-I YAGEO	
68	R114,R144	RES CH 1/8W 10KΩ F 0805	2	TA-I YAGEO	



DELTA P/N:

DAC-19M008 AF REV:01A

SHEET 11 of 24

CONTENT

5. Material List

DATE: 08 / 01 / 06'

<u>NO.</u>	<u>SYMBOL</u>	<u>DESCRIPTION</u>	<u>Q'TY</u>	<u>SUPPLIER</u>	<u>PART NAME</u>
69	R113,R119 R120,R141 R155,R157 R204	RES CH 1/10W 10K Ω F 0603	7	TA-I YAGEO	
70	R205	RES CH 1/10W 22K Ω F 0603	1	TA-I YAGEO	
71	R226	RES CH 1/10W 100K Ω F 0603	2	TA-I YAGEO	
72	R225,R260	RES CH 1/10W 150K Ω F 0603	2	TA-I YAGEO	
73	R211	RES CH 1/10W 180K Ω F 0603	1	TA-I YAGEO	
74	R209	RES CH 1/10W 470K Ω F 0603	2	TA-I YAGEO	
75	R215,R227 R228,R229 R230,R238 R248,R249	RES CH 1/10W 1M Ω F 0603	8	TA-I YAGEO	
76	R101	RES CH 1/10W 2K Ω F 0603	1	TA-I YAGEO	
77	R244,R247	RES CH 1/10W 5.1K Ω F 0603	2	TA-I YAGEO	



DELTA P/N:

DAC-19M008 AF REV:01A

SHEET 12 of 24

CONTENT

5. Material List

DATE: 08 / 01 / 06'

<u>NO.</u>	<u>SYMBOL</u>	<u>DESCRIPTION</u>	<u>Q'TY</u>	<u>SUPPLIER</u>	<u>PART NAME</u>
78	R135	RES CH 1/8W 13K Ω F 0805	1	TA-I YAGEO	
79	R104	RES CH 1/10W 200K Ω F 0603	1	TA-I YAGEO	
80	R236	RES CH 1/8W 402 Ω F 0805	1	TA-I YAGEO	
81	R207,R208	RES CH 1/10W 8.87K Ω F 0603	1	TA-I YAGEO	
82	R117	RES CH 1/8W 4.99K Ω F 0805	1	TA-I YAGEO	
83	R206	RES CH 1/10W 82.5K Ω F 0603	1	TA-I YAGEO	
84	R116	RES CH 1/8W 4.87K Ω F 0805	1	TA-I YAGEO	
85	R153	RES CH 1/10W 220K Ω F 0603	2	TA-I YAGEO	
86	R200	RES CH 1/8W 22.1M Ω F 0805	1	TA-I YAGEO	



DELTA P/N:

DAC-19M008 AF REV:01A

SHEET 13 of 24

CONTENT

5. Material List

DATE: 08 / 01 / 06'

<u>NO.</u>	<u>SYMBOL</u>	<u>DESCRIPTION</u>	<u>Q'TY</u>	<u>SUPPLIER</u>	<u>PART NAME</u>
87	R243	RES CH 1/10W 1.5M Ω F 0603	1	TA-I YAGEO	
88	R158	RES CH 1/10W 1.8M Ω F 0603	1	TA-I YAGEO	
89	L108,R118 R245	RES CH 1/8W 0 Ω J 0805	3	TA-I YAGEO	
90	L100,L103 L104,R239 R241	RES CH 1/10W 0 Ω J 0603	5	TA-I YAGEO	
91	R154	RES CH 1/10W 100 Ω J 0603	1	TA-I YAGEO	
92	R102	RES CH 1/10W 1K Ω J 0603	1	TA-I YAGEO	
93	R103,R151	RES CH 1/10W 100K Ω J 0603	2	TA-I YAGEO	
94	R122	RES CH 1/10W 1M Ω J 0603	1	TA-I YAGEO	
95	R115	RES CH 1/10W 3.3K Ω J 0603	1	TA-I YAGEO	



DELTA P/N:

DAC-19M008 AF REV:01A

SHEET 14 of 24

CONTENT

5. Material List

DATE: 08 / 01 / 06'

<u>NO.</u>	<u>SYMBOL</u>	<u>DESCRIPTION</u>	<u>Q'TY</u>	<u>SUPPLIER</u>	<u>PART NAME</u>
96	R210	RES CH 1/10W 3.3M Ω J 0603	1	TA-I YAGEO	
97	R112	RES CH 1/8W 390 Ω J 0805	1	TA-I YAGEO	
98	R136	RES CH 1/8W 3.9K Ω J 0805	1	TA-I YAGEO	
99	R123	RES CH 1/10W 680K Ω J 0603	1	TA-I YAGEO	
100	R201,R202	RES CH 1/2W 3M Ω J 2010	2	TA-I YAGEO	
101	F200	FUSE T 3A 32V 3.15A 32V 1206	1	LITTELFUSE DAITO	0468003.NR UL:E10480 KMJ30 UL:E59783
102	F102	FUSE F 4A 24VDC 1206	1	LITTELFUSE TA-I	0466004.NR UL:E10480 CF12V2T4R0 UL:E241710
103	C203,C205 C207	CERAMIC CHIP CAP. 50V 220pF J C0G 0603	3	TDK PAN OVERSEAS PHYCOMP	



DELTA P/N:

DAC-19M008 AF REV:01A

SHEET 15 of 24

CONTENT

5. Material List

DATE: 08 / 01 / 06'

<u>NO.</u>	<u>SYMBOL</u>	<u>DESCRIPTION</u>	<u>Q'TY</u>	<u>SUPPLIER</u>	<u>PART NAME</u>
104	C120	CERAMIC CHIP CAP. 50V 220pF J COG 0805	1	TDK PAN OVERSEAS PHYCOMP	
105	C206	CERAMIC CHIP CAP 50V 3300pF K X7R 0603	1	TDK PAN OVERSEAS PHYCOMP	
106	C216,C217	CERAMIC CHIP CAP. 50V 4700pF K X7R 0603	1	TDK PAN OVERSEAS PHYCOMP	
107	C232	CERAMIC CHIP CAP. 50V 8200pF K X7R 0603	1	TDK PAN OVERSEAS PHYCOMP	
108	C214,C227 C228,C229 C230,C231 C233,C234	CERAMIC CHIP CAP 50V 0.01uF K X7R 0603	8	TDK PAN OVERSEAS PHYCOMP	
109	C209,C212	CERAMIC CHIP CAP 50V 0.047uF K X7R 0603	1	TDK PAN OVERSEAS PHYCOMP	
110	C211,C226 C235	CERAMIC CHIP CAP. 50V 0.1uF K X7R 0603	3	TDK PAN OVERSEAS PHYCOMP	
111	C114	CERAMIC CHIP CAP. 16V 0.22uF K X7R 0805	10	HEC TDK PAN OVERSEAS PHYCOMP	



DELTA P/N:

DAC-19M008 AF REV:01A

SHEET 16 of 24

CONTENT

5. Material List

DATE: 08 / 01 / 06'

<u>NO.</u>	<u>SYMBOL</u>	<u>DESCRIPTION</u>	<u>Q'TY</u>	<u>SUPPLIER</u>	<u>PART NAME</u>
112	C101	CERAMIC CHIP CAP. 16V 0.47uF K X7R 0603	1	HEC TDK PAN OVERSEAS PHYCOMP	
113	C100,C110 C111,C116 C118,C119	CERAMIC CHIP CAP. 16V 1uF K X7R 0603	6	HEC TDK PAN OVERSEAS PHYCOMP	
114	C125	CERAMIC CHIP CAP. 16V 2.2uF K X7R 0805	1	TDK PAN OVERSEAS PHYCOMP	
115	C210,C213	CERAMIC CHIP CAP 25V 2.2uF K X7R 0805	2	TDK PAN OVERSEAS PHYCOMP	
116	C214-1	CERAMIC CHIP CAP 25V 10uF K X5R 1206	1	HEC TDK PAN OVERSEAS PHYCOMP	
117	C102,C109 C117	CERAMIC CHIP CAP 25V 0.01uF K X7R 0603	3	PAN OVERSEAS JOHANSON PHYCOMP	
118	C123,C126	CERAMIC CHIP CAP 25V 0.1uF K X7R 0603	1	JOHANSON PHYCOMP PAN OVERSEAS	



DELTA P/N:

DAC-19M008 AF REV:01A

SHEET 17 of 24

CONTENT

5. Material List

DATE: 08 / 01 / 06'

<u>NO.</u>	<u>SYMBOL</u>	<u>DESCRIPTION</u>	<u>Q'TY</u>	<u>SUPPLIER</u>	<u>PART NAME</u>
119	C115	CERAMIC CHIP CAP. 25V 0.1uF K X7R 0805	1	PAN OVERSEAS JOHANSON PHYCOMP	
120	C222,C223 C224,C225	CERAMIC CHIP CAP. 25V 0.22uF K X7R 0603	4	PAN OVERSEAS HEC JOHANSON PHYCOMP	
121	C121,C215	CERAMIC CHIP CAP. 25V 1uF K X7R 0805	2	PAN OVERSEAS HEC JOHANSON PHYCOMP	
122	R214	CERAMIC CHIP CAP. 25V 4.7uF K X7R 1206	1	PAN OVERSEAS HEC JOHANSON PHYCOMP	
123	C112	CERAMIC CHIP CAP. 1KV 2200pF K X7R 1206	1	PAN OVERSEAS HEC JOHANSON PHYCOMP	



DELTA P/N:

DAC-19M008 AF REV:01A

SHEET 18 of 24

CONTENT

5. Material List

DATE: 08 / 01 / 06'

<u>NO.</u>	<u>SYMBOL</u>	<u>DESCRIPTION</u>	<u>Q'TY</u>	<u>SUPPLIER</u>	<u>PART NAME</u>
124	C113	CERAMIC CHIP CAP. 1KV 0.01uF K X7R 1206	1	PAN OVERSEAS HEC JOHANSON PHYCOMP	
125	C103	CERAMIC CHIP CAP. 250V 470pF K X7R 1206	1	PAN OVERSEAS HEC JOHANSON PHYCOMP	
126	C104	CERAMIC CHIP CAP. 250V 1000pF K X7R 1206	1	PAN OVERSEAS HEC JOHANSON PHYCOMP	
127	ZD102	ZENER DIODE 0.5W 4.94-5.2V 0.5W 4.94-5.2V MINIMELF	1	VISHAY ROHM	TLZ5V1B-GS08 RLZ TE-11 5.1B
128	ZD101	ZENER DIODE 0.5W 6.49-6.83V 0.5W 6.49-6.83V MINIMELF	1	VISHAY ROHM	TLZ6V8B-GS08 RLZ TE-11 6.8B



DELTA P/N:

DAC-19M008 AF REV:01A

SHEET 19 of 24

CONTENT

5. Material List

DATE: 08 / 01 / 06'

NO.	SYMBOL	DESCRIPTION	Q'TY	SUPPLIER	PART NAME
129	ZD200	ZENER DIODE 0.5W 11.44-12.03V 0.5W 11.44-12.03V SOD-323	1	VISHAY ROHM	GDZ5V6B-V-GS08 RLZ TE-11 12B
130	ZD100	ZENER DIODE 0.5W 18.63-19.59V 0.5W 18.63-19.59V MINIMELF	1	VISHAY ROHM	TLZ24B-GS08 RLZ TE-11 20B
131	D203,D204 D205,D206	SWITCHING DIODE 215mA 70V 215mA 70V 200mA 70V SOT-23	4	ON SEMI PHILIPS FAIRCHILD	BAV99LT1G BAV99,235 BAV99_NL
132	D200,D201 D214,D215	SWITCHING DIODE 150mA 75V 200mA 70V 215mA 85V 150mA 75V SOT-23	4	ON SEMI PHILIPS FAIRCHILD DIODES	BAV70LT1G BAV70,235 BAV70_NL BAV70-7-F
133	D100,D103 D105,D109, D110,D112, D2,D207 D208,D209 D210,D211 D212	SWITCHING DIODE 150mA 100V LL-34-2P	13	ROHM	RLS4148N TE-11
134	Q100	NPN TRANSISTOR 0.6A 40V 0.6A 40V 1.0A 40V 0.6A 40V SOT-23	1	ON SEMI PHILIPS FAIRCHILD DIODES	MMBT4401LT1G PMBT4401,215 MMBT4401_NL MMBT4401-7-F
135	Q207	N-CH MOSFET 50V 200mA 3.5ohm 50V 200mA 3.5 ohm SOT-23	1	DIODES FAIRCHILD	BSS138-7-F BSS138_NL



DELTA P/N:

DAC-19M008 AF REV:01A

SHEET 20 of 24

CONTENT

5. Material List

DATE: 08 / 01 / 06'

<u>NO.</u>	<u>SYMBOL</u>	<u>DESCRIPTION</u>	<u>Q'TY</u>	<u>SUPPLIER</u>	<u>PART NAME</u>
136	Q101,Q200 Q201,Q202 Q203,Q204 Q205,Q206	N-CH MOSFET 60V 300mA 2ohm 60V 340mA 3.9 ohm 60V 115mA 7.5ohm SOT-23	8	VISHAY PHILIPS ROHM	2N7002K-T1-E3 2N7002K,215 RK7002
137	U105	IC PWM PFC SO-8PIN	1	PHILIPS	TEA1532AT
138	IC200	IC CCFL PWM SOP-20P	1	O2 MICRO	OZ964GN
139	U101	IC COMPARATOR DUAL SOIC-8P	1	ON SEMI TEXAS FAIRCHILD ST	LM393DR2G LM393DRG4 LM393MX LM393DT
140	L106	BEAD CH 100MHZ 30ohm 4A 1206 31ohm 3A 1206	1	MAG LAYERS TAI-TECH	MLB-321611-0030P-N1 P/N:2921113812 HCB3216KF-310T30 P/N:29241001226
141	L107	BEAD CH 100MHZ 70ohm 4A 1206 70ohm 4A 1206	1	MAG LAYERS TAI-TECH	MLB-321611-0070P-N1 P/N:2921300412 HCB3216KF-700T40 P/N:2924100226
142	L105	INDUCTOR 15mA 4.7uH K 0805	1	MAG LAYERS TAI-TECH	MLI-201209-4R7K P/N:2923181312 FCI2012F-4R7K P/N:2923184526



DELTA P/N:

DAC-19M008 AF REV:01A

SHEET 21 of 24

CONTENT

5. Material List

DATE: 08 / 01 / 06'

<u>NO.</u>	<u>SYMBOL</u>	<u>DESCRIPTION</u>	<u>Q'TY</u>	<u>SUPPLIER</u>	<u>PART NAME</u>
143	PWB	PWB CEM-1 T=1.6mm 155*135.0 PWB CEM-1 T=1.6mm 48.7*20.0	1	JOVE JIANGMEN GLORY FAITH TAIHE JOVE JIANGMEN GLORY FAITH TAIHE	P/N:2994747901 UL: E232940 UL: E230374 UL:E221000 P/N:2994747200 UL: E232940 UL: E230374 UL:E221000
144	R301,R302 R303,R304	RES CH 1/10W 10K Ω F 0603	4	TA-I YAGEO	
145	R308,R309 R310,R311 R313,R314 R316,R317	RES CH 1/10W 20K Ω F 0603	8	TA-I YAGEO	
146	R312,R315	RES CH 1/10W 7.5K Ω F 0603	2	TA-I YAGEO	
147	L300,L301 L304	RES CH 1/10W 0 Ω J 0603	1	TA-I YAGEO	
148	R300	RES CH 1/10W 1K Ω J 0603	1	TA-I YAGEO	
149	R307	RES CH 1/10W 10K Ω J 0603	1	TA-I YAGEO	



DELTA P/N:

DAC-19M008 AF REV:01A

SHEET 22 of 24

CONTENT

5. Material List

DATE: 08 / 01 / 06'

<u>NO.</u>	<u>SYMBOL</u>	<u>DESCRIPTION</u>	<u>Q'TY</u>	<u>SUPPLIER</u>	<u>PART NAME</u>
150	R319	RES CH 1/10W 100K Ω J 0603	1	TA-I YAGEO	
151	C302,C308	CERAMIC CHIP CAP 50V 47pF J C0G 0603	2	TDK PAN OVERSEAS PHYCOMP	
152	C306,C307	CERAMIC CHIP CAP 16V 0.33 μ F K X7R 0603	2	TDK PAN OVERSEAS PHYCOMP HEC	
153	C315,C317	CERAMIC CHIP CAP 16V 0.068 μ F K X7R 0603	2	TDK PAN OVERSEAS PHYCOMP	
154	C303,C304 C305,C311 C316	CERAMIC CHIP CAP 25V 0.1 μ F K X7R 0603	5	TDK PAN OVERSEAS PHYCOMP	
155	C301	CERAMIC CHIP CAP 25V 1 μ F K X7R 0805	1	TDK PAN OVERSEAS PHYCOMP HEC	
156	C313	CERAMIC CHIP CAP 25V 2.2 μ F K X7R 1206	1	TDK PAN OVERSEAS PHYCOMP HEC	
157	ZD300	ZENER DIODE 0.5W 8.57-9.01V 0.5W 8.57-9.01V MINIMELF	1	VISHAY ROHM	TLZ24B-GS08 RLZ TE-11 24B



DELTA P/N:

DAC-19M008 AF REV:01A

SHEET 23 of 24

CONTENT

5. Material List

DATE: 08 / 01 / 06'

<u>NO.</u>	<u>SYMBOL</u>	<u>DESCRIPTION</u>	<u>Q'TY</u>	<u>SUPPLIER</u>	<u>PART NAME</u>
158	C300	TVS DIODE 0.4W 5.0-6.40V 0.4W 6.4-7.25V MINIMELF	1	DIODES ST	SMAJ5.0A-13-F SMAJ5.0A-TR
159	Q300	N-CH MOSFET 60V 0.300A 2.0Ω 60V 0.340A 3.9Ω 60V 0.115A 7.5Ω SOT-23	1	VISHAY PHILIPS ROHM	2N7002K-T1-E3 2N7002K RK7002
160	U300	IC AUDIO PWR AMP TSSOP-28P	1	NATIONAL ANPEL	LM4838MTE APA4838RI-TRL
161	RIVET	RIVET BRASS TIN PLATED 1.5*3.2*3	3		For CN6
162	RIVET	RIVET BRASS TIN PLATED 1.2*3*3	4		For CE106
163	J104,J203 J204,J217	JUMP WIRE COPPER 0.6*10*4	4		
164	J100,J206 J208	JUMP WIRE COPPER 0.6*12.5*4	3		



DELTA P/N:

DAC-19M008 AF REV:01A

SHEET 24 of 24

CONTENT

5. Material List

DATE: 08 / 01 / 06'

<u>NO.</u>	<u>SYMBOL</u>	<u>DESCRIPTION</u>	<u>Q'TY</u>	<u>SUPPLIER</u>	<u>PART NAME</u>
165	J216	JUMP WIRE COPPER 0.6*15*4	1		
166	J209,J214 J215	JUMP WIRE COPPER 0.6*17.5*4	3		
167	J207	JUMP WIRE COPPER 1.0*12.5*4	1		
168	SOLDER BAR	SOLDER SAC305	6.25 GRM	ALPHA METALS	SAC305
169	SOLDER PASTE	SOLDER SM-688(SAC405)	3 GRM	Smttech	SM688



DELTA P/N:

DAC-19M008 BF REV:01A

SHEET 1 of 22

CONTENT

5. Material List

DATE: 08 / 02 / 06'

<u>NO.</u>	<u>SYMBOL</u>	<u>DESCRIPTION</u>	<u>Q'TY</u>	<u>SUPPLIER</u>	<u>PART NAME</u>
1	R125	RES MOF 2W 100K Ω J SMALL FR	1	TY-OHM KAMAYA WALSIN	
2	R100	RES MOF 2W 300 Ω J SMALL FR	1	TY-OHM KAMAYA WALSIN	
3	F100	RES FUSIBLE MF 1/2W 100ohm J SMALL	1	TY-OHM KAMAYA WALSIN	
4	R109	RES WIRE 5.1mohm J 0.8mm	1	TY-OHM	
6	F101	FUSE T S 3.15A 250V 3.15A 250V	1	CONQUER WICKMANN	MST3.15A 250V UL:E82636 392-3.15A UL:E67006



DELTA P/N:

DAC-19M008 BF REV:01A

SHEET 2 of 22

CONTENT

5. Material List

DATE: 08 / 02 / 06'

<u>NO.</u>	<u>SYMBOL</u>	<u>DESCRIPTION</u>	<u>Q'TY</u>	<u>SUPPLIER</u>	<u>PART NAME</u>
7	RT100	RES NTC 5A R=2.5ohm	1	UPPERMOST THINKING	
8	VAR100	VARISTOR 420VAC 45J 2.5KA 420VAC 70J 2.5KA	1	UPPERMOST THINKING	V10K420 UL:E105157 TVR10681KSY UL:E173642
9	CY100,CY101	CERAMIC CHIP CAP. Y1/X1 CD 250VAC 330pF K B P10	2	TDK PAN OVERSEAS	CD UL:E37861 AH# UL:E146544
10	CY102	CERAMIC CHIP CAP. Y1/X1 CD 250VAC 2200pF M E P10	1	TDK PAN OVERSEAS	CD UL:E37861 AH# UL:E146544
11	CY220,CY221	CERAMIC CHIP CAP. 3KV 39pF C SL	2	HEC TDK PAN OVERSEAS	
12	C218	CERAMIC CHIP CAP. 6KV 5pF D SL VI7.5	1	HEC TDK	
13	C219	CERAMIC CHIP CAP. 6KV 8pF D SL VI7.5	1	HEC TDK	
14	CE104	ALMINUM CAP 10V 1000uF M 10*16 TP5	1	NCC TAICON CAPXON	



DELTA P/N:

DAC-19M008 BF REV:01A

SHEET 3 of 22

CONTENT

5. Material List

DATE: 08 / 02 / 06'

<u>NO.</u>	<u>SYMBOL</u>	<u>DESCRIPTION</u>	<u>Q'TY</u>	<u>SUPPLIER</u>	<u>PART NAME</u>
15	CE105	ALMINUM CAP 10V 2.2mF M 13*20 TP5	1	NCC TAICON CAPXON	
16	CE102,CE103	ALMINUM CAP 25V 1KuF M 10*20 TP5	2	NCC TAICON CAPXON	
17	C200,CE101 CE109	ALMINUM CAP 25V 220uF M 8*11.5	3	NCC TAICON CAPXON	
18	CE108	ALMINUM CAP 25V 330uF M 8*16	1	NCC TAICON CAPXON	
19	CE107	ALMINUM CAP 50V 22uF M 5*11	1	NCC TAICON CAPXON	
20	CE106	ALMINUM CAP 400V 120uF M 18*31.5	1	NCC TAICON CAPXON	
21	CX100,CX101	CERAMIC CHIP CAP. X MP PC 275VAC 0.22uF M P15.0	2	ARCOTRONICS OKAYA	R46KI322050M UL:E97797 UL:E85238 RE224-L UL:E78644 UL:E47474



DELTA P/N:

DAC-19M008 BF REV:01A

SHEET 4 of 22

CONTENT

5. Material List

DATE: 08 / 02 / 06'

<u>NO.</u>	<u>SYMBOL</u>	<u>DESCRIPTION</u>	<u>Q'TY</u>	<u>SUPPLIER</u>	<u>PART NAME</u>
22	DB100	BRIDGE DIODE 4A 600V 4A 600V 4A 600V FL(KBL)	1	PANJIT VISHAY FAIRCHILD	FL406 UL:E111753 KBL06-E4/51 UL:E54214 KBL06 UL:E96005
23	D106,D107	ULTRA FAST DIODE 1A 1000V 1A 1000V 1A 1000V 1A 1000V DO-41	2	DIODE VISHAY PANJIT FAIRCHILD	UF1007 UF4007-E3/73 UF1010 T/B UF4007
24	D108	FRD DIODE 2A 200V 2A 600V DO-15-2P	1	PANJIT ON SEMI	ER202 T/B MUR260RLG
25	D102	SCHOTTKY DIODE 10A 100V 10A 100V 10A 100V 10A 100V TO-220F	1	ST VISHAY DIODES PANJIT	STPS10H100CFP MBRF10H100CT MBRF10100CT SB10100FCT
26	D101	SCHOTTKY DIODE 20A 200V 20A 150V 20A 200V ITO-220AB	1	PANJIT VISHAY	SB20200FCT SB20150FCT MBRF20H200CT
27	U100	POWER TRANSISTOR 100V 5A 100V 5A TO-220FP	1	ST FAIRCHILD	TIP122FP KSD1589YTU



DELTA P/N:

DAC-19M008 BF REV:01A

SHEET 5 of 22

CONTENT

5. Material List

DATE: 08 / 02 / 06'

<u>NO.</u>	<u>SYMBOL</u>	<u>DESCRIPTION</u>	<u>Q'TY</u>	<u>SUPPLIER</u>	<u>PART NAME</u>
28	U102,U104	PHOTO TR 50mA 35V 50mA 35V 130-260 % DIP-4	2	SHARP LITE-ON	PC817X2 UL:E64380 LTV-817B UL:E113898
29	Q102	MOSFET 600V 10A 750mohm 600V 10A 750mohm 600V 10A 750mohm TO-220F	1	STMI TOSHIBA TOSHIBA	STP10NK60ZFP 2SK2843(Q,T) 2SK3569(Q)
30	IC201,IC202	N+P CH MOSFET 30V 7.5A 0.028ohm 30V 7.5A 0.028ohm 30V 7.0A 0.025ohm DIP-8	2	AOS AOS APEC	AOP604 AOP605 AP4511GD
31	U103,U106	IC VOL REF ADJ 2.5V 100mA 2.495V 100mA 2.495V 100mA 1% TO-92	2	STMI ON SEMI TEXAS	TL431ACZ-AP TL431ACLPRAG TL431ACLPRE3
32	LF100	LINE FILTER 17mH LFZ24H05	1	DELTA	P/N:2805617000 UL:E130155 UL:E197768 UL:E85640 UL:E59481 UL:E51047



DELTA P/N:

DAC-19M008 BF REV:01A

SHEET 6 of 22

CONTENT

5. Material List

DATE: 08 / 02 / 06'

<u>NO.</u>	<u>SYMBOL</u>	<u>DESCRIPTION</u>	<u>Q'TY</u>	<u>SUPPLIER</u>	<u>PART NAME</u>
33	L101,L102	INDUCTOR CD L=3.3uH ± 20 % 21A-4016	2	DELTA	P/N:2816441280 UL:E85640 UL:E84201 UL:E171082 UL:E206882
34	T100	X'FMR PQ2620 LK:480uH ± 5% 21A-5039A SRW2620PQ-T28V017	1	DELTA TDK	P/N:2874001000 UL:E85640 UL:E84201 UL:E197768 UL:E174837 UL:E171082 UL:E206440 UL:E166483 UL:E165111 UL:E17385 UL:E50292 UL:E41429 UL:E156256 UL:E180908 UL:E51047 P/N:2811301246 UL:E59481 UL:E41429 UL:E50292 UL:E165111 UL:E17385 UL:E196072 UL:E189722 UL:E218438 UL:E229341 UL:E206440 UL:E166483 UL:E156256 UL:E175982 UL:E81777 UL:E72979



DELTA P/N:

DAC-19M008 BF REV:01A

SHEET 7 of 22

CONTENT

5. Material List

DATE: 08 / 02 / 06'

<u>NO.</u>	<u>SYMBOL</u>	<u>DESCRIPTION</u>	<u>Q'TY</u>	<u>SUPPLIER</u>	<u>PART NAME</u>
35	T200	X'FMR UI22 LK:300mH +/-8% 00A-5095D	1	DELTA	P/N:2874002400 UL:E54705 UL:E85640 UL:E84201 UL:E197768 UL:E174837 UL:E171082 UL:E143312 UL:E51047
36	CN6	SOCKET AC INLENT SNAP 94V0 C14	1	TECX-UNIONS	TU-301-AP-AJB-7 00-AC2(D) UL:E220004
37	CN5	CONNECTOR HEADER PA46 94V0 2R 8PIN	1	ENTERY	2061-G16N-11B UL:E185177
38	CN200,CN201 CN202,CN203	CONNECTOR HEADER PA9T 94V0 1R 2PIN	4	ACES	87210-0236L UL:E205655
39	SCREW	SCREW T ϕ 3*1.06*6 PAN C S17C ZN	4		FOR D101
40	SCREW	SCREW T ϕ 3*1.06*6 PAN C S20C ZN	4		FOR D101
41	POLYOLEFIN	TUBE HS POLYOLEFIN 4*0.25	0.06		FOR CN6



DELTA P/N:

DAC-19M008 BF REV:01A

SHEET 8 of 22

CONTENT

5. Material List

DATE: 08 / 02 / 06'

<u>NO.</u>	<u>SYMBOL</u>	<u>DESCRIPTION</u>	<u>Q'TY</u>	<u>SUPPLIER</u>	<u>PART NAME</u>
42	HS100	HSK STAMP AL1050 45.5*45.1*20 T1.5	1		
43	HS103	HSK STAMP AL1050F 70*27.6*20 T1.5	1		
44	HS102	HSK STAMP AL1050F 40*20 T1.5	1		
45	R137,R138, R139,R140	RES CH 1/4W 200m Ω F 1206	4	TA-I YAGEO	
46	R130	RES CH 1/4W 2.7 Ω J 1206	1	TA-I YAGEO	
47	R121,R126, R129,R203	RES CH 1/4W 10K Ω F 1206	4	TA-I YAGEO	
48	R150	RES CH 1/4W 47K Ω F 1206	1	TA-I YAGEO	
49	R145,R146, R147	RES CH 1/4W 330K Ω F 1206	3	TA-I YAGEO	



DELTA P/N:

DAC-19M008 BF REV:01A

SHEET 9 of 22

CONTENT

5. Material List

DATE: 08 / 02 / 06'

<u>NO.</u>	<u>SYMBOL</u>	<u>DESCRIPTION</u>	<u>Q'TY</u>	<u>SUPPLIER</u>	<u>PART NAME</u>
50	R4	RES CH 1/4W 100m Ω F 1206	1	TA-I YAGEO	
51	R235	RES CH 1/4W 402 Ω F 1206	1	TA-I YAGEO	
52	R152	RES CH 1/4W 220K Ω F 1206	1	TA-I YAGEO	
53	D104,J101,J105 J106,J205,J210 J211,J212,J213 J212,R213	RES CH 1/4W 0 Ω J 1206	11	TA-I YAGEO	
54	R132	RES CH 1/4W 15 Ω J 1206	1	TA-I YAGEO	
55	R105,R106, R107,R108,	RES CH 1/4W 20 Ω J 1206	4	TA-I YAGEO	
56	R156	RES CH 1/4W 560 Ω J 1206	1	TA-I YAGEO	
57	R231,R232, R233,R234	RES CH 1/10W 33.2 Ω F 0603	4	TA-I YAGEO	
58	R216,R217	RES CH 1/10W 562 Ω F 0603	2	TA-I YAGEO	



DELTA P/N:

DAC-19M008 BF REV:01A

SHEET 10 of 22

CONTENT

5. Material List

DATE: 08 / 02 / 06'

<u>NO.</u>	<u>SYMBOL</u>	<u>DESCRIPTION</u>	<u>Q'TY</u>	<u>SUPPLIER</u>	<u>PART NAME</u>
59	R143,R220 R221,R148 R223,R224	RES CH 1/8W 1K Ω F 0805	6	TA-I YAGEO	
60	R222,R225 R237	RES CH 1/10W 1K Ω F 0603	3	TA-I YAGEO	
61	R142,R159	RES CH 1/8W 2.7K Ω F 0805	2	TA-I YAGEO	
62	R218,R219	RES CH 1/8W 3.9K Ω F 0805	2	TA-I YAGEO	
63	R133,R134	RES CH 1/8W 4.7K Ω F 0805	2	TA-I YAGEO	
64	R149	RES CH 1/10W 4.7K Ω F 0603	1	TA-I YAGEO	
65	R114,R144	RES CH 1/8W 10K Ω F 0805	2	TA-I YAGEO	
66	R113,R119 R120,R141 R155,R157 R204	RES CH 1/10W 10K Ω F 0603	7	TA-I YAGEO	



DELTA P/N:

DAC-19M008 BF REV:01A

SHEET 11 of 22

CONTENT

5. Material List

DATE: 08 / 02 / 06'

<u>NO.</u>	<u>SYMBOL</u>	<u>DESCRIPTION</u>	<u>Q'TY</u>	<u>SUPPLIER</u>	<u>PART NAME</u>
67	R205	RES CH 1/10W 22K Ω F 0603	1	TA-I YAGEO	
68	R226	RES CH 1/10W 100K Ω F 0603	2	TA-I YAGEO	
69	R211	RES CH 1/10W 180K Ω F 0603	1	TA-I YAGEO	
70	R209	RES CH 1/10W 470K Ω F 0603	2	TA-I YAGEO	
71	R215,R227 R228,R229 R230,R238 R248,R249	RES CH 1/10W 1M Ω F 0603	8	TA-I YAGEO	
72	R101	RES CH 1/10W 2K Ω F 0603	1	TA-I YAGEO	
73	R244,R247	RES CH 1/10W 5.1K Ω F 0603	2	TA-I YAGEO	



DELTA P/N:

DAC-19M008 BF REV:01A

SHEET 12 of 22

CONTENT

5. Material List

DATE: 08 / 02 / 06'

<u>NO.</u>	<u>SYMBOL</u>	<u>DESCRIPTION</u>	<u>Q'TY</u>	<u>SUPPLIER</u>	<u>PART NAME</u>
74	R135	RES CH 1/8W 13K Ω F 0805	1	TA-I YAGEO	
75	R236	RES CH 1/8W 402 Ω F 0805	1	TA-I YAGEO	
76	R207,R208	RES CH 1/10W 8.87K Ω F 0603	1	TA-I YAGEO	
77	R117	RES CH 1/8W 4.99K Ω F 0805	1	TA-I YAGEO	
78	R206	RES CH 1/10W 82.5K Ω F 0603	1	TA-I YAGEO	
79	R116	RES CH 1/8W 4.87K Ω F 0805	1	TA-I YAGEO	
80	R153	RES CH 1/10W 220K Ω F 0603	2	TA-I YAGEO	
81	R200	RES CH 1/8W 22.1M Ω F 0805	1	TA-I YAGEO	



DELTA P/N:

DAC-19M008 BF REV:01A

SHEET 13 of 22

CONTENT

5. Material List

DATE: 08 / 02 / 06'

<u>NO.</u>	<u>SYMBOL</u>	<u>DESCRIPTION</u>	<u>Q'TY</u>	<u>SUPPLIER</u>	<u>PART NAME</u>
82	R243	RES CH 1/10W 1.5M Ω F 0603	1	TA-I YAGEO	
83	R158	RES CH 1/10W 1.8M Ω F 0603	1	TA-I YAGEO	
84	R118,R245	RES CH 1/8W 0 Ω J 0805	2	TA-I YAGEO	
85	R104,R239 R241	RES CH 1/10W 0 Ω J 0603	3	TA-I YAGEO	
86	R154	RES CH 1/10W 100 Ω J 0603	1	TA-I YAGEO	
87	R102	RES CH 1/10W 1K Ω J 0603	1	TA-I YAGEO	
88	R151	RES CH 1/10W 100K Ω J 0603	1	TA-I YAGEO	
89	R122	RES CH 1/10W 1M Ω J 0603	1	TA-I YAGEO	
90	R115	RES CH 1/10W 3.3K Ω J 0603	1	TA-I YAGEO	



DELTA P/N:

DAC-19M008 BF REV:01A

SHEET 14 of 22

CONTENT

5. Material List

DATE: 08 / 02 / 06'

<u>NO.</u>	<u>SYMBOL</u>	<u>DESCRIPTION</u>	<u>Q'TY</u>	<u>SUPPLIER</u>	<u>PART NAME</u>
91	R210	RES CH 1/10W 3.3M Ω J 0603	1	TA-I YAGEO	
92	R112	RES CH 1/8W 390 Ω J 0805	1	TA-I YAGEO	
93	R136	RES CH 1/8W 3.9K Ω J 0805	1	TA-I YAGEO	
94	R123	RES CH 1/10W 680K Ω J 0603	1	TA-I YAGEO	
95	R201,R202	RES CH 1/2W 3M Ω J 2010	2	TA-I YAGEO	
96	F200	FUSE T 3A 32V 3.15A 32V 1206	1	LITTELFUSE DAITO	0468003.NR UL:E10480 KMJ30 UL:E59783
97	F102	FUSE F 4A 24VDC 1206	1	LITTELFUSE TA-I	0466004.NR UL:E10480 CF12V2T4R0 UL:E241710
98	C203,C205 C207	CERAMIC CHIP CAP. 50V 220pF J C0G 0603	3	TDK PAN OVERSEAS PHYCOMP	



DELTA P/N:

DAC-19M008 BF REV:01A

SHEET 15 of 22

CONTENT

5. Material List

DATE: 08 / 02 / 06'

<u>NO.</u>	<u>SYMBOL</u>	<u>DESCRIPTION</u>	<u>Q'TY</u>	<u>SUPPLIER</u>	<u>PART NAME</u>
99	C120	CERAMIC CHIP CAP. 50V 220pF J COG 0805	1	TDK PAN OVERSEAS PHYCOMP	
100	C206	CERAMIC CHIP CAP 50V 3300pF K X7R 0603	1	TDK PAN OVERSEAS PHYCOMP	
101	C216,C217	CERAMIC CHIP CAP. 50V 4700pF K X7R 0603	1	TDK PAN OVERSEAS PHYCOMP	
102	C232	CERAMIC CHIP CAP. 50V 8200pF K X7R 0603	1	TDK PAN OVERSEAS PHYCOMP	
103	C214,C227 C228,C229 C230,C231 C233,C234	CERAMIC CHIP CAP 50V 0.01uF K X7R 0603	8	TDK PAN OVERSEAS PHYCOMP	
104	C209,C212	CERAMIC CHIP CAP 50V 0.047uF K X7R 0603	1	TDK PAN OVERSEAS PHYCOMP	
105	C211,C226 C235	CERAMIC CHIP CAP. 50V 0.1uF K X7R 0603	3	TDK PAN OVERSEAS PHYCOMP	
106	C114	CERAMIC CHIP CAP. 16V 0.22uF K X7R 0805	10	HEC TDK PAN OVERSEAS PHYCOMP	



DELTA P/N:

DAC-19M008 BF REV:01A

SHEET 16 of 22

CONTENT

5. Material List

DATE: 08 / 02 / 06'

<u>NO.</u>	<u>SYMBOL</u>	<u>DESCRIPTION</u>	<u>Q'TY</u>	<u>SUPPLIER</u>	<u>PART NAME</u>
107	C101	CERAMIC CHIP CAP. 16V 0.47uF K X7R 0603	1	HEC TDK PAN OVERSEAS PHYCOMP	
108	C100,C110 C111,C116 C118,C119	CERAMIC CHIP CAP. 16V 1uF K X7R 0603	6	HEC TDK PAN OVERSEAS PHYCOMP	
109	C125	CERAMIC CHIP CAP. 16V 2.2uF K X7R 0805	1	TDK PAN OVERSEAS PHYCOMP	
110	C210,C213	CERAMIC CHIP CAP 25V 2.2uF K X7R 0805	2	TDK PAN OVERSEAS PHYCOMP	
111	C214-1	CERAMIC CHIP CAP 25V 10uF K X5R 1206	1	HEC TDK PAN OVERSEAS PHYCOMP	
112	C102,C109 C117	CERAMIC CHIP CAP 25V 0.01uF K X7R 0603	3	PAN OVERSEAS JOHANSON PHYCOMP	
113	C123,C126	CERAMIC CHIP CAP 25V 0.1uF K X7R 0603	1	JOHANSON PHYCOMP PAN OVERSEAS	



DELTA P/N:

DAC-19M008 BF REV:01A

SHEET 17 of 22

CONTENT

5. Material List

DATE: 08 / 02 / 06'

<u>NO.</u>	<u>SYMBOL</u>	<u>DESCRIPTION</u>	<u>Q'TY</u>	<u>SUPPLIER</u>	<u>PART NAME</u>
114	C115	CERAMIC CHIP CAP. 25V 0.1uF K X7R 0805	1	PAN OVERSEAS JOHANSON PHYCOMP	
115	C222,C223 C224,C225	CERAMIC CHIP CAP. 25V 0.22uF K X7R 0603	4	PAN OVERSEAS HEC JOHANSON PHYCOMP	
116	C121,C215	CERAMIC CHIP CAP. 25V 1uF K X7R 0805	2	PAN OVERSEAS HEC JOHANSON PHYCOMP	
117	R214	CERAMIC CHIP CAP. 25V 4.7uF K X7R 1206	1	PAN OVERSEAS HEC JOHANSON PHYCOMP	
118	C112	CERAMIC CHIP CAP. 1KV 2200pF K X7R 1206	1	PAN OVERSEAS HEC JOHANSON PHYCOMP	



DELTA P/N:

DAC-19M008 BF REV:01A

SHEET 18 of 22

CONTENT

5. Material List

DATE: 08 / 02 / 06'

<u>NO.</u>	<u>SYMBOL</u>	<u>DESCRIPTION</u>	<u>Q'TY</u>	<u>SUPPLIER</u>	<u>PART NAME</u>
119	C113	CERAMIC CHIP CAP. 1KV 0.01uF K X7R 1206	1	PAN OVERSEAS HEC JOHANSON PHYCOMP	
120	C103	CERAMIC CHIP CAP. 250V 470pF K X7R 1206	1	PAN OVERSEAS HEC JOHANSON PHYCOMP	
121	C104	CERAMIC CHIP CAP. 250V 1000pF K X7R 1206	1	PAN OVERSEAS HEC JOHANSON PHYCOMP	
122	ZD102	ZENER DIODE 0.5W 4.94-5.2V 0.5W 4.94-5.2V MINIMELF	1	VISHAY ROHM	TLZ5V1B-GS08 RLZ TE-11 5.1B
123	ZD101	ZENER DIODE 0.5W 6.49-6.83V 0.5W 6.49-6.83V MINIMELF	1	VISHAY ROHM	TLZ6V8B-GS08 RLZ TE-11 6.8B



DELTA P/N:

DAC-19M008 BF REV:01A

SHEET 19 of 22

CONTENT

5. Material List

DATE: 08 / 02 / 06'

<u>NO.</u>	<u>SYMBOL</u>	<u>DESCRIPTION</u>	<u>Q'TY</u>	<u>SUPPLIER</u>	<u>PART NAME</u>
124	ZD200	ZENER DIODE 0.5W 11.44-12.03V 0.5W 11.44-12.03V SOD-323	1	VISHAY ROHM	GDZ5V6B-V-GS08 RLZ TE-11 12B
125	ZD100	ZENER DIODE 0.5W 18.63-19.59V 0.5W 18.63-19.59V MINIMELF	1	VISHAY ROHM	TLZ24B-GS08 RLZ TE-11 20B
126	D203,D204 D205,D206	SWITCHING DIODE 215mA 70V 215mA 70V 200mA 70V SOT-23	4	ON SEMI PHILIPS FAIRCHILD	BAV99LT1G BAV99,235 BAV99_NL
127	D200,D201 D214,D215	SWITCHING DIODE 150mA 75V 200mA 70V 215mA 85V 150mA 75V SOT-23	4	ON SEMI PHILIPS FAIRCHILD DIODES	BAV70LT1G BAV70,235 BAV70_NL BAV70-7-F
128	D103,D105 D109,D110 D112,D2 D207,D208 D209,D210 D211,D212	SWITCHING DIODE 150mA 100V LL-34-2P	12	ROHM	RLS4148N TE-11
129	Q100	NPN TRANSISTOR 0.6A 40V 0.6A 40V 1.0A 40V 0.6A 40V SOT-23	1	ON SEMI PHILIPS FAIRCHILD DIODES	MMBT4401LT1G PMBT4401,215 MMBT4401_NL MMBT4401-7-F
130	Q207	N-CH MOSFET 50V 200mA 3.5ohm 50V 200mA 3.5 ohm SOT-23-3P	1	DIODES FAIRCHILD	BSS138-7-F BSS138_NL



DELTA P/N:

DAC-19M008 BF REV:01A

SHEET 20 of 22

CONTENT

5. Material List

DATE: 08 / 02 / 06'

<u>NO.</u>	<u>SYMBOL</u>	<u>DESCRIPTION</u>	<u>Q'TY</u>	<u>SUPPLIER</u>	<u>PART NAME</u>
131	Q101,Q200 Q201,Q202 Q203,Q204 Q205,Q206	N-CH MOSFET 60V 300mA 2ohm 60V 340mA 3.9 ohm 60V 115mA 7.5ohm SOT-23	8	VISHAY PHILIPS ROHM	2N7002K-T1-E3 2N7002K,215 RK7002
132	U105	IC PWM PFC SO-8PIN	1	PHILIPS	TEA1532AT
133	IC200	IC CCFL PWM SOP-20P	1	O2 MICRO	OZ964GN
134	U101	IC COMPARATOR DUAL SOIC-8P	1	ON SEMI TEXAS FAIRCHILD ST	LM393DR2G LM393DRG4 LM393MX LM393DT
135	L106	BEAD CH 100MHZ 30ohm 4A 1206 31ohm 3A 1206	1	MAG LAYERS TAI-TECH	MLB-321611-0030P-N1 P/N:2921113812 HCB3216KF-310T30 P/N:29241001226
136	L107	BEAD CH 100MHZ 70ohm 4A 1206 70ohm 4A 1206	1	MAG LAYERS TAI-TECH	MLB-321611-0070P-N1 P/N:2921300412 HCB3216KF-700T40 P/N:2924100226
137	L105	INDUCTOR 15mA 4.7uH K 0805	1	MAG LAYERS TAI-TECH	MLI-201209-4R7K P/N:2923181312 FCI2012F-4R7K P/N:2923184526



DELTA P/N:

DAC-19M008 BF REV:01A

SHEET 21 of 22

CONTENT

5. Material List

DATE: 08 / 02 / 06'

<u>NO.</u>	<u>SYMBOL</u>	<u>DESCRIPTION</u>	<u>Q'TY</u>	<u>SUPPLIER</u>	<u>PART NAME</u>
138	PWB	PWB CEM-1 T=1.6mm 155*135.0 PWB CEM-1 T=1.6mm 48.7*20.0	1	JOVE JIANGMEN GLORY FAITH TAIHE JOVE JIANGMEN GLORY FAITH TAIHE	P/N:2994747901 UL: E232940 UL: E230374 UL:E221000 P/N:2994747200 UL: E232940 UL: E230374 UL:E221000
139	RIVET	RIVET BRASS TIN PLATED 1.5*3.2*3	3		For CN6
140	RIVET	RIVET BRASS TIN PLATED 1.2*3*3	4		For CE106
141	J104,J203 J204,J217	JUMP WIRE COPPER 0.6*10*4	4		
142	J100,J206 J208	JUMP WIRE COPPER 0.6*12.5*4	3		
143	J216	JUMP WIRE COPPER 0.6*15*4	1		



DELTA P/N:

DAC-19M008 BF REV:01A

SHEET 22 of 22

CONTENT

5. Material List

DATE: 08 / 02 / 06'

<u>NO.</u>	<u>SYMBOL</u>	<u>DESCRIPTION</u>	<u>Q'TY</u>	<u>SUPPLIER</u>	<u>PART NAME</u>
144	J209,J214 J215	JUMP WIRE COPPER 0.6*17.5*4	3		
145	J207	JUMP WIRE COPPER 1.0*12.5*4	1		
146	SOLDER BAR	SOLDER SAC305	6.25 GRM	ALPHA METALS	SAC305
147	SOLDER PASTE	SOLDER SM-688(SAC405)	3 GRM	Smtech	SM688